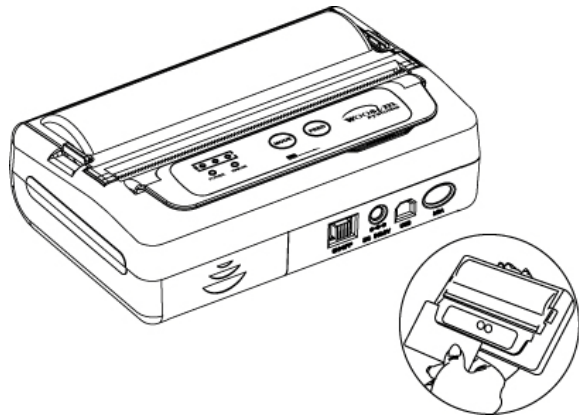


# Operator's Manual

## PORTI-WC40

(4 )

Rev. 3.0



가 448 ,

3 501

: +82-2-2107-3700

: +82-2-2107-3707

<http://www.woosim.com>

| Copyright

PORTI-WC40 4

Copyright 2010

|



|

가

|

!

- U (138.4 x 88.5 x 45.7mm).
- U (418g)
- U
- U (50mm/sec, MAX)
- U (203dpi : 8dots/mm)
- U UART(RS-232C or TTL) , Bluetooth Ver2.1+EDR
- U (MSR)
- U , , LED
- U ,
- U CLAMSHELL
- U 가
- U - ,
- U Microsoft Windows XP / VISTA / 7 / CE / Linux / Android
- U : 1.5m ( )
- U : (XON/XOFF)
- U



I

U

: -10°C to 50°C

: 30% to 80%

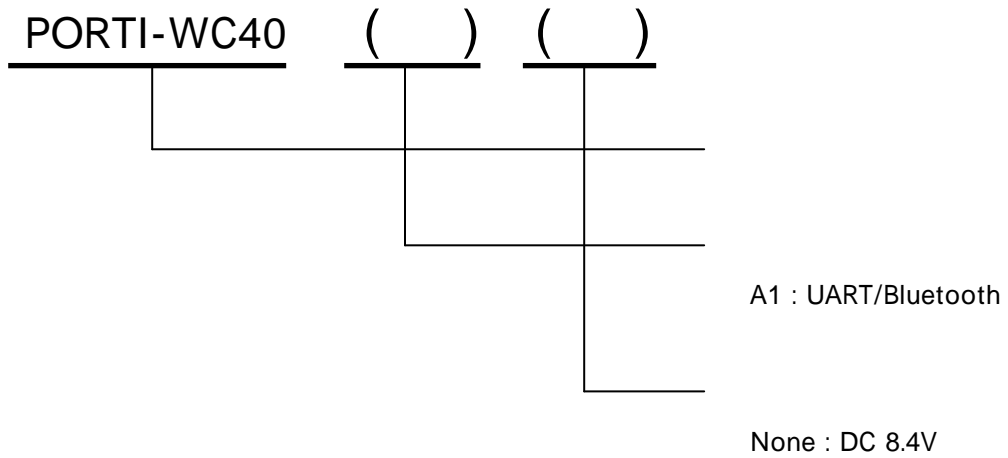
IrDA

U

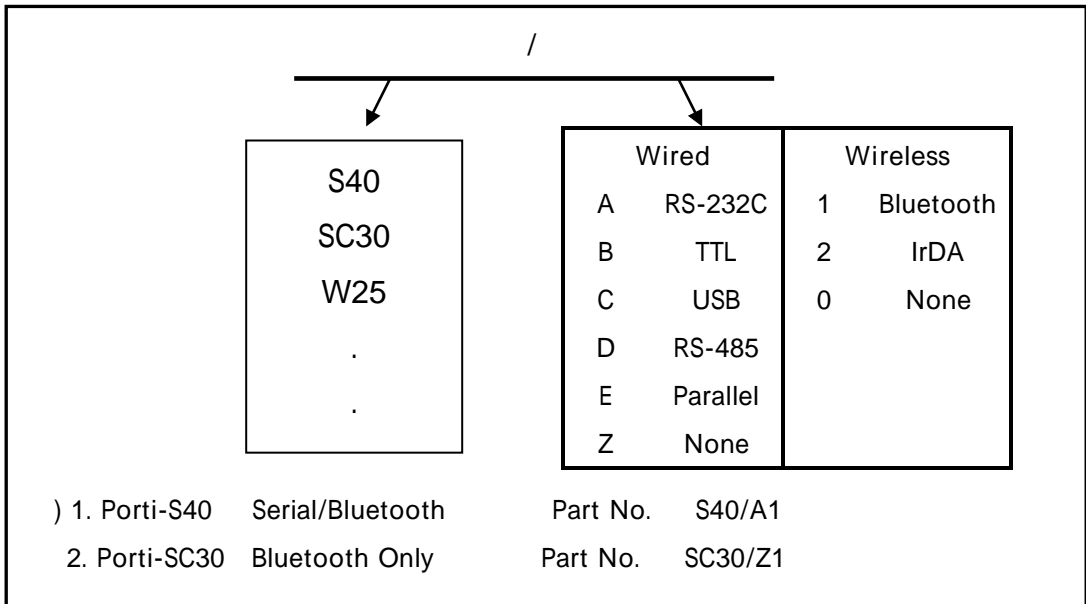
- 1. ....6
  - 1.1. ....6
  - 1.2. Part Number .....6
  - 1.3. ....7
- 2. ....9
  - 2.1. ....9
  - 2.2. ....10
    - 2.2.1. ....10
    - 2.2.2. ....11
  - 2.3. ....12
  - 2.4. ....13
    - 2.4.1. ....13
    - 2.4.2. ....13
    - 2.4.3. ....14
  - 2.5. ....15
- 3. ....19
  - 3.1. UART(RS-232C or TTL) .....19
  - 3.2. ....20
  - 3.3. ....20
- 4. ....21
  - 4.1. ....21
  - 4.2. ....22
- 5. ....23
  - 5.1. ....23
  - 6.2. ....23

1.

1.1.



1.2. Part Number



1.3.

	92cpl (MAX)
	: 9*24dots, 12*24dots : 16*24dots, [24*24dots]
	Simplified/Traditional Chinese, Arabic, Cyrillic, Russian, Turkish, Greek, Japanese, Persian, Latin9 and Others upon request.
	203dpi, 8dots/mm
	4 (104mm, 832dots)
	50mm /sec(MAX)
	138.4 x 88.5 x 45.7 mm
	408g ( & )
	UART(RS-232C or TTL), Bluetooth Ver 2.1+EDR
	( 113mm, 38ø)
	1 : Code128, Code39, I2/5, Code93 UPC, EAN, KAN, JAN, CODABAR
	2 : PDF417, QR Code, DATA Matrix
	Microsoft Widows XP / VISTA / 7 Windows CE, Linux, Android
	MCU : 32bits RISC, FLASH : 4 M bytes, RAM : 8 M bytes
	1M bytes
(MSR)	ISO 7810 / 7811 / 7812 1&2 or 2&3 Track Reading
	가 7.4V DC, 1400mAh ( )
	1
	(100~250V AC 50~60Hz) (8.4VDC/0.8A), - 4

( ...)

		-10°C ~ 50°C ( )
		-10°C ~ 70°C ( )
		30% - 80% ( )
		10% - 90% ( )
	Mechanical	37,000,000 lines
	Head	50 Km

< 1 >

2.

2.1.

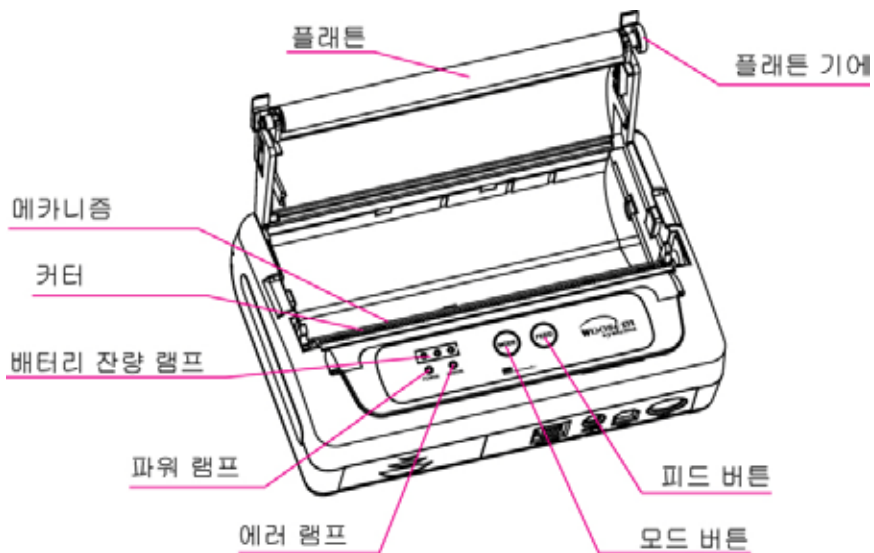
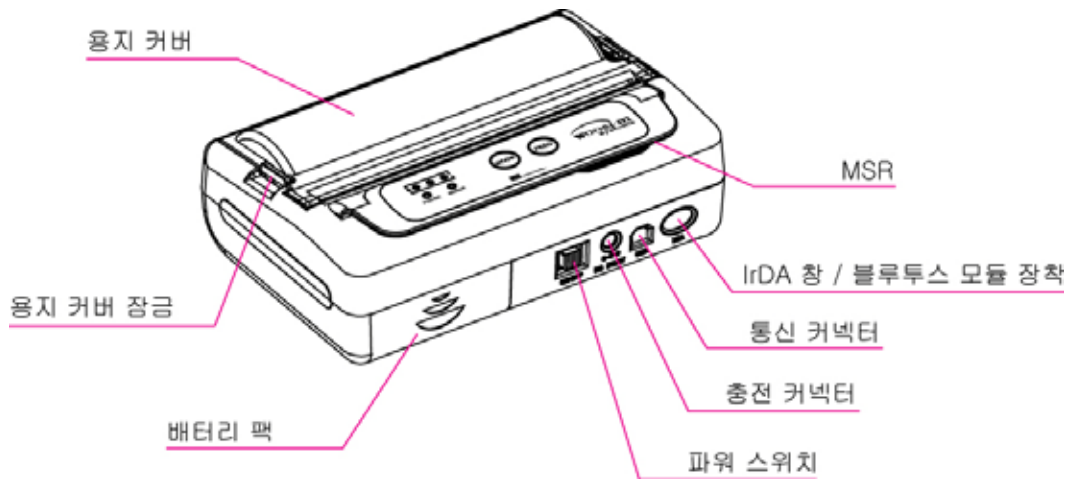


PORTI-WC40

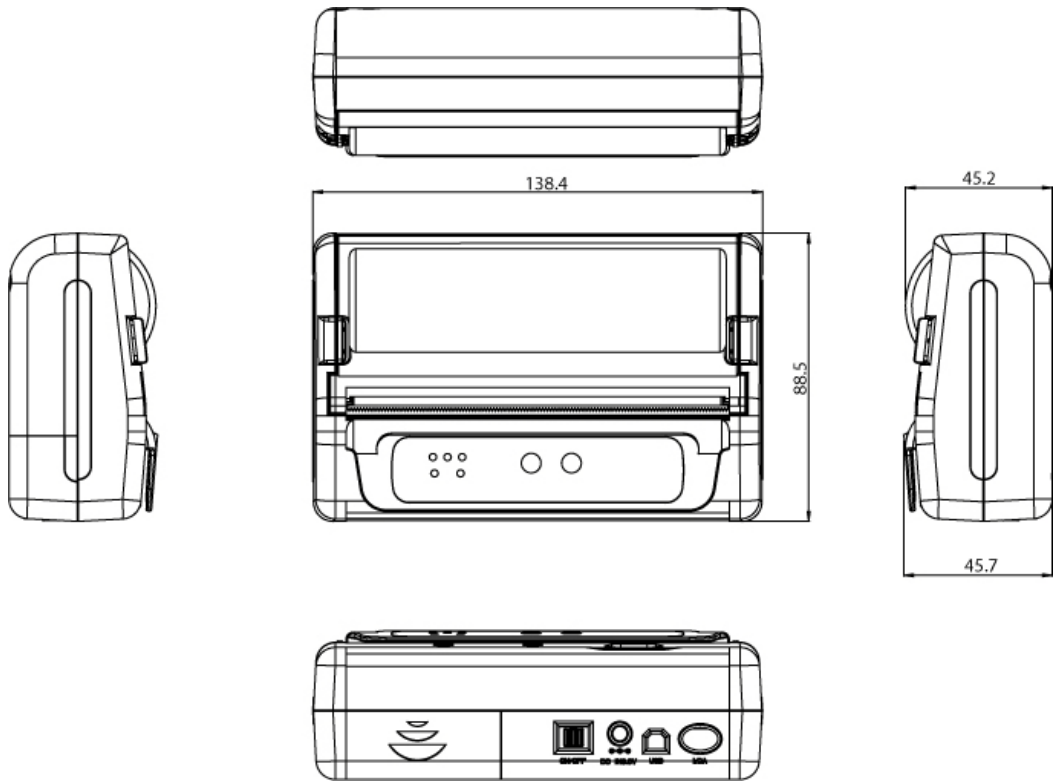


2.2.

2.2.1.



2.2.2.



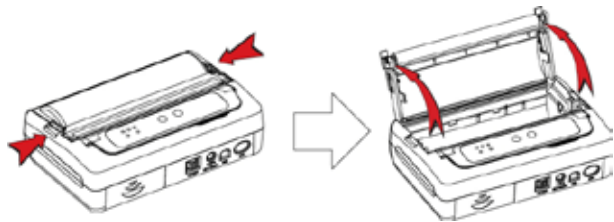
2.3.

1. ( ) 가 ( ) 가

1. 가 가

2. 가 가

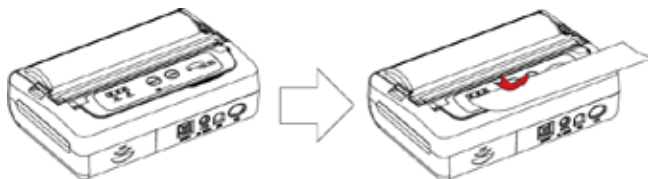
가



3.



4.



2.4.

2.4.1.

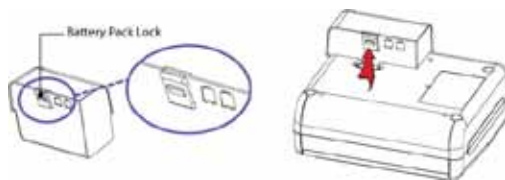
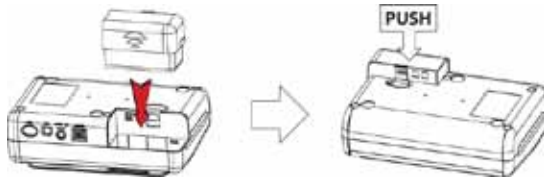
: DC 8.4V / 0.8A

2.4.2.



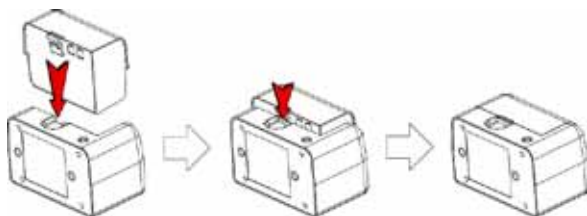
가 가

가



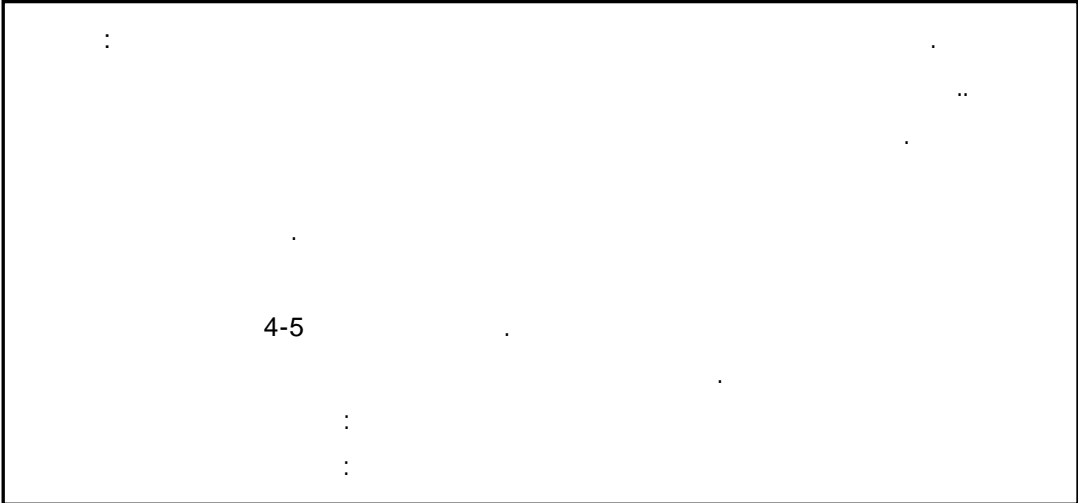
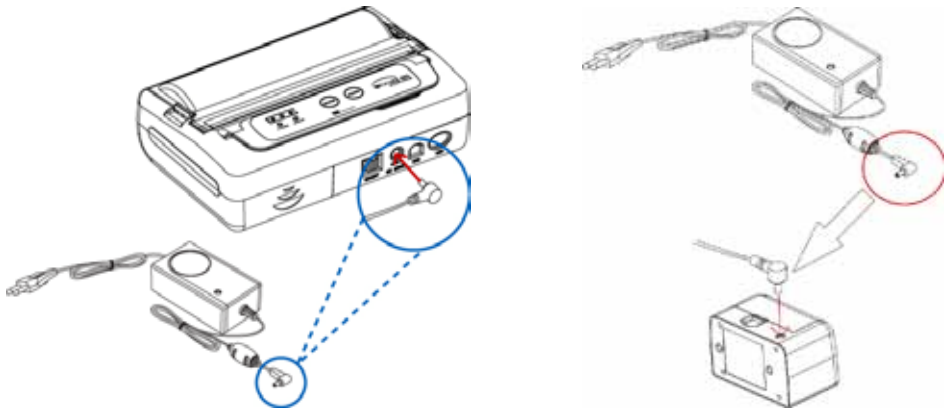
3

가 가



2.4.3.

가





U 1 , 가 6 , 가 1 .  
® 2 , 가 3 , 가  
Density high  
U 1 , 가 7 , 가 2 .  
® 1 , 가 1 , 가  
No use  
U 1 , 가 8 , 가 1 .  
® 1 , 가 2 , 가  
Medium 1  
U 1 , 가 9 , 가 6 .  
® 1 , 가 1 ,  
No use

Bluetooth / 57600 bps / 7 data bit / Odd parity / 2 stop bit / Density high  
/ Mark no use / Sensor medium1 / Power down no use

	( )	(Red)	
Communication Port	1	1	UART
		2	Protocol UART
		3	Bluetooth
		4	Protocol Bluetooth
Baud Rate	2	1	9600 bps
		2	19200 bps
		3	38400 bps
		4	57600 bps
		5	115200 bps
Data Bit	3	1	7 Data bit
		2	8 Data bit
Parity Bit	4	1	No Parity
		2	Odd Parity
		3	Even Parity
Stop Bit	5	1	1 Stop bit
		2	2 Stop bit
Density	6	1	Density Low
		2	Density Medium
		3	Density High
Mark	7	1	No use
		2	Use
Sensor	8	1	Low
		2	Medium1
		3	Medium2
		4	High

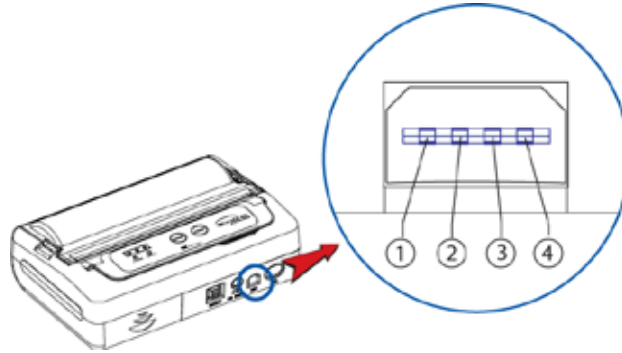
( ...)

	( )	(Red)	
Power Down	9	1	No use
		2	1 minute
		3	2 minute
		4	3 minute
		5	4 minute
		6	5 minute

< 2 >

### 3.

#### 3.1. UART(RS-232C or TTL)



PORTI-WC40

UART(RS-232C or TTL)

가 , 4

USB

<b>1</b>	TxD	Output	Transmit Data
<b>2</b>	RxD	Input	Receive Data
<b>3</b>	CTS	-	-
<b>4</b>	GND	-	Ground

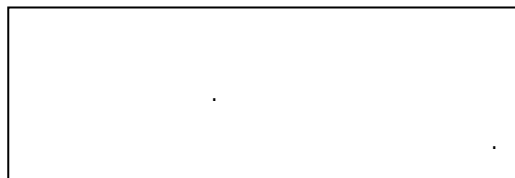
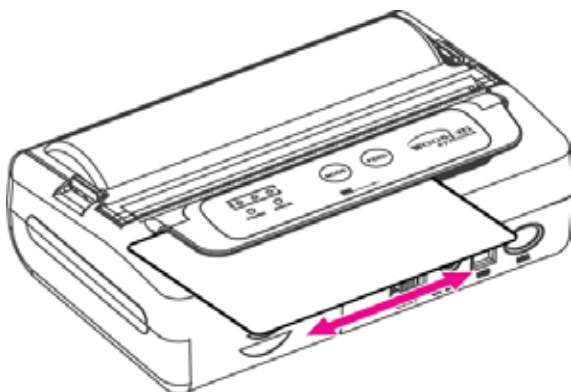
\* Applicable connector : SUNG KYUNG (CM-720)



3.2.

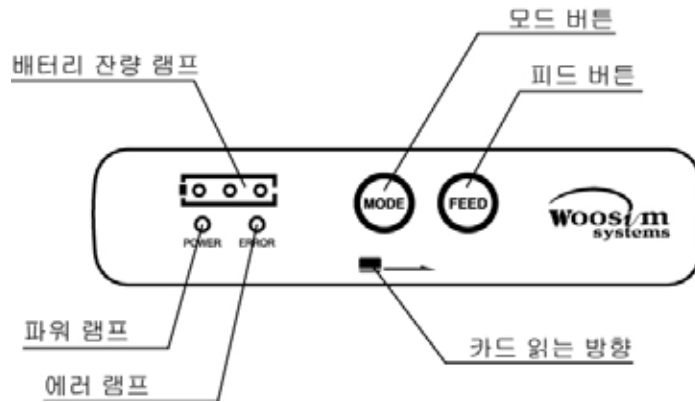
	Bluetooth Ver2.1 + EDR / Class2 (10m)
	2.4GHz ISM BAND
	57600bps Fixed.
	8 Data bit Fixed.
	No parity Fixed.
	1 Stop bit Fixed.

3.3.



4.

4.1.



u

-  
-

:  
:

(2.5. )

:

UART (RS-232C or TTL)

u

-  
-

:  
:

가 , 가 ,

-

:

가

## 4.2.

가

1.

2.

3.

( )

4.

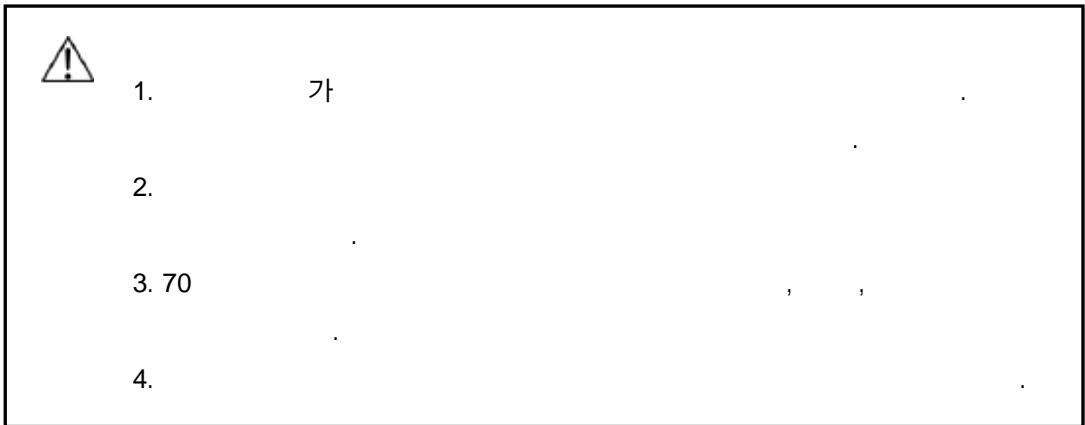
5.

가

## 5.

### 5.1.

- :
- : 113mm
- :  $60 \pm 5 \mu\text{m}$
- :  $\text{Ø}38\text{mm}$
- :



### 6.2.

