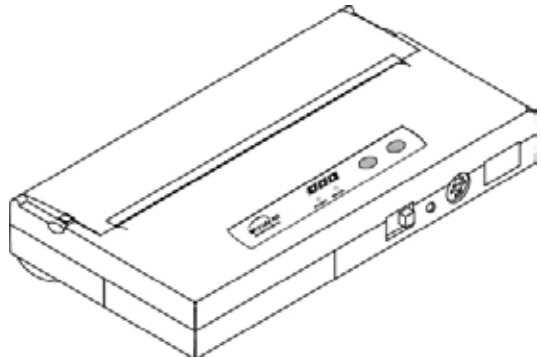


# Operator's Manual

## PORTI-W25

(4 )

Rev. 3.0



가 448 ,

3 501

: +82-2-2107-3700

: +82-2-2107-3707

<http://www.woosim.com>

| Copyright

PORTI-W25 4

Copyright 2010



|

가

|

!

- U (138 x 88 x 27.8mm).
- U (340g)
- U
- U (50mm/sec, MAX)
- U (203dpi : 8dots/mm)
- U UART(RS-232C or TTL) , Bluetooth Ver2.1+EDR  
IrDA Ver1.0(SIR)[ ], USB[ ]
- U , , LED
- U ,
- U CLAMSHELL
- U 가
- U - ,
- U Microsoft Windows XP / VISTA / 7 / CE / Linux / Android
- U : 1.5m ( )
- U : (XON/XOFF)
- U



I

U

: -10°C to 50°C

: 30% to 80%

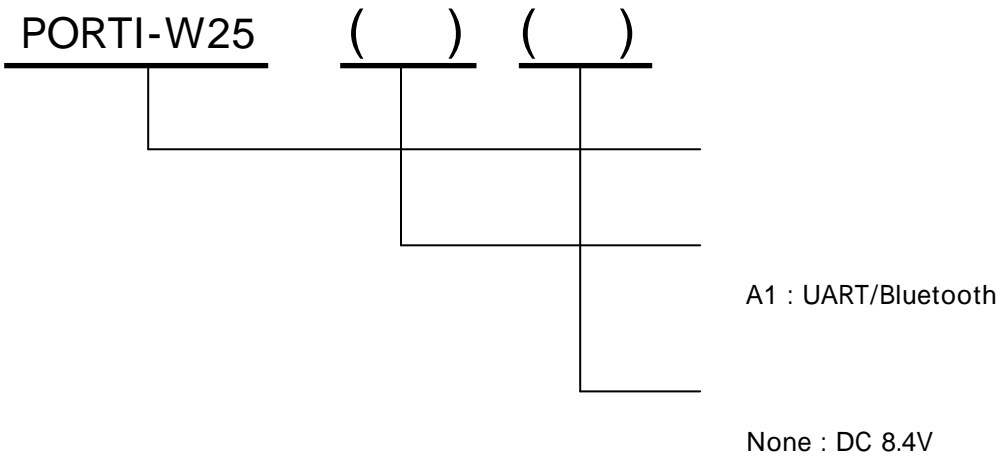
IrDA

U

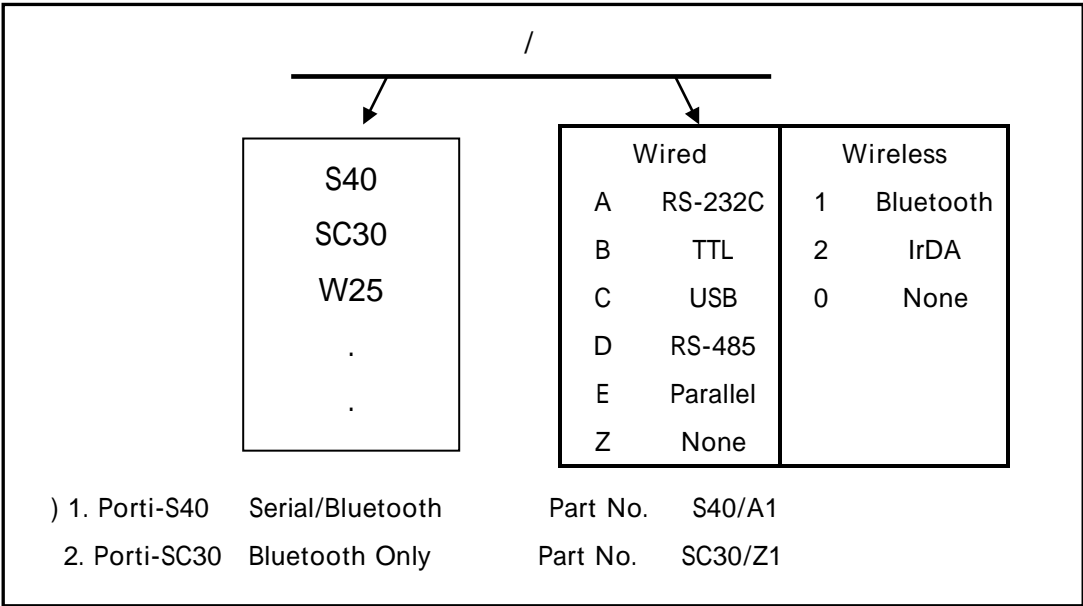
- 1. ....6
  - 1.1. ....6
  - 1.2. Part Number .....6
  - 1.3. ....7
- 2. ....9
  - 2.1. ....9
  - 2.2. ....10
    - 2.2.1. ....10
    - 2.2.2. ....11
  - 2.3. ....12
  - 2.4. ....13
    - 2.4.1. ....13
    - 2.4.2. ....13
    - 2.4.3. ....14
  - 2.5. ....15
- 3. ....22
  - 3.1. UART(RS-232C or TTL)      USB .....22
  - 3.2. IrDA .....23
  - 3.3. ....23
- 4. ....24
  - 4.1. ....24
  - 4.2. ....25
- 5. ....26
  - 5.1. ....26
  - 6.2. ....26

1.

1.1.



1.2. Part Number



1.3.

	92cpl (MAX)
	: 9*24dots, 12*24dots : 16*24dots, [24*24dots]
	Simplified/Traditional Chinese, Arabic, Cyrillic, Russian, Turkish, Greek, Japanese, Persian, Latin9 and Others upon request.
	203dpi, 8dots/mm
	4 (104mm, 832dots)
	50mm /sec(MAX)
	138 x 88 x 27.8mm
	340g ( & )
	UART(RS-232C or TTL), Bluetooth Ver 2.1+EDR IrDA Ver1.0 (SIR) [ ], USB[ ]
	( 117mm, 25ø)
	1 : Code128, Code39, I2/5, Code93 UPC, EAN, KAN, JAN, CODABAR 2 : PDF417, QR Code, DATA Matrix
	Microsoft Widows XP / VISTA / 7 Windows CE, Linux, Android
	MCU : 32bits RISC, FLASH : 4 M bytes, RAM : 8 M bytes
	1M bytes
	가 7.4V DC, 1400mAh ( )
	1
	(100~250V AC 50~60Hz) (8.4VDC/0.8A), - 4

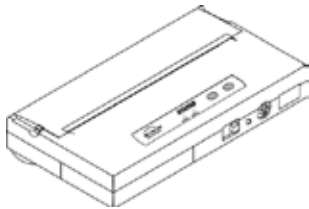
( ...)

		-10°C ~ 50°C ( )
		-10°C ~ 70°C ( )
		30% - 80% ( )
		10% - 90% ( )
	Mechanical	37,000,000 lines
	Head	50 Km

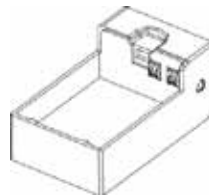
< 1 >

2.

2.1.

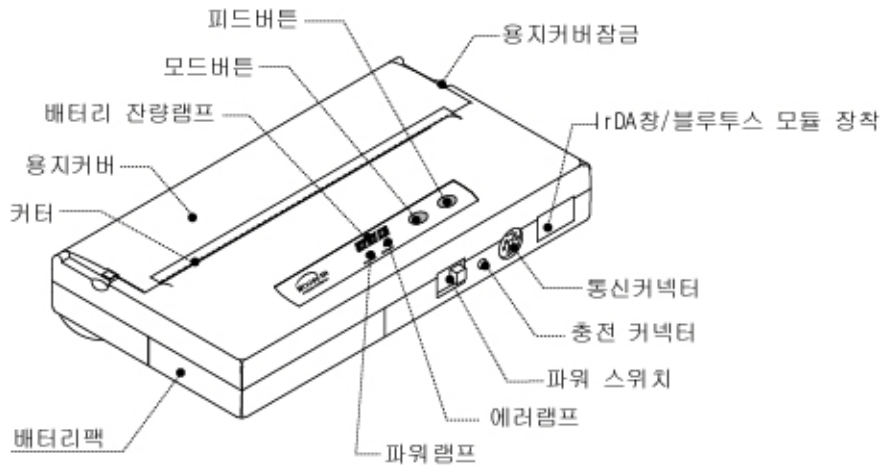


PORTI-W25

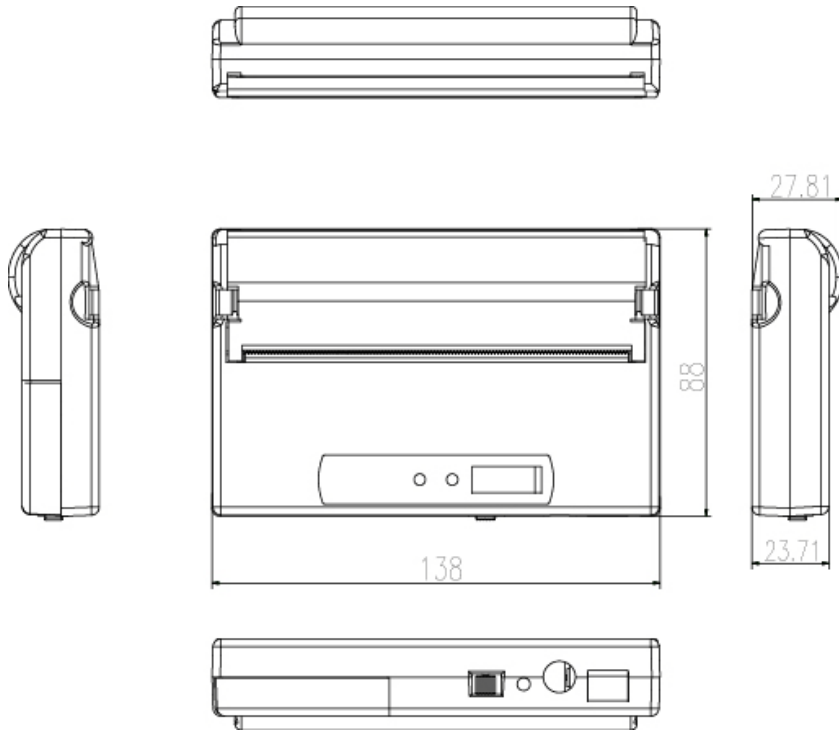


## 2.2.

### 2.2.1.



2.2.2.



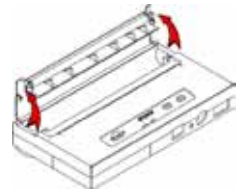
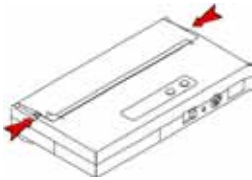
### 2.3.

1. ( ) 가 , ( ) .

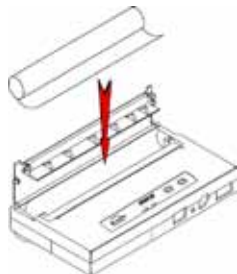
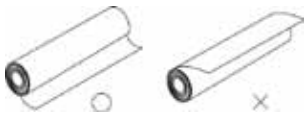
1. 가 , 가

2. 가 ,

가



3.



4.



## 2.4.

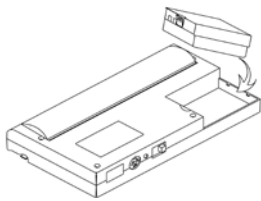
### 2.4.1.

: DC 8.4V / 0.8A

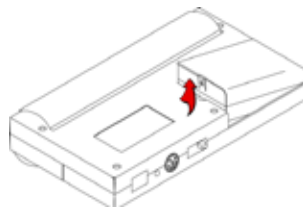
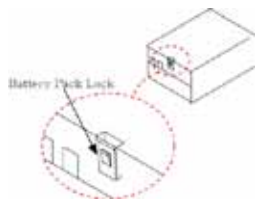
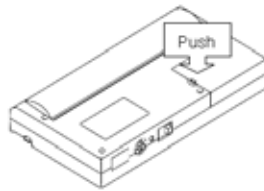
### 2.4.2.



가 가

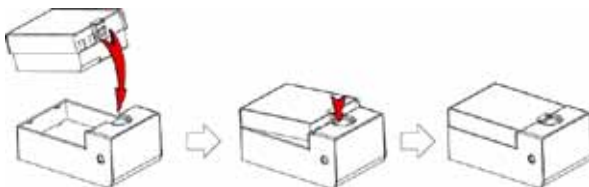


가



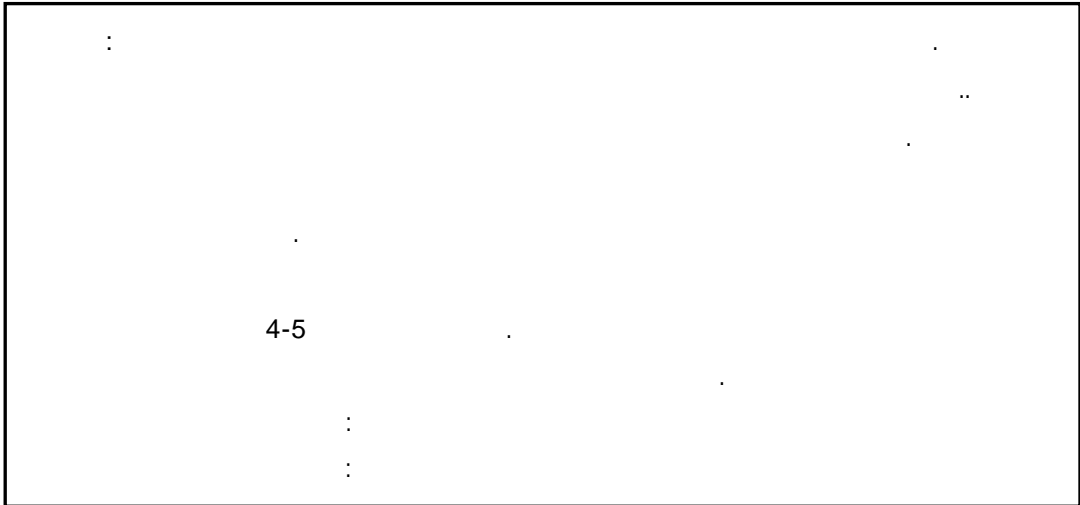
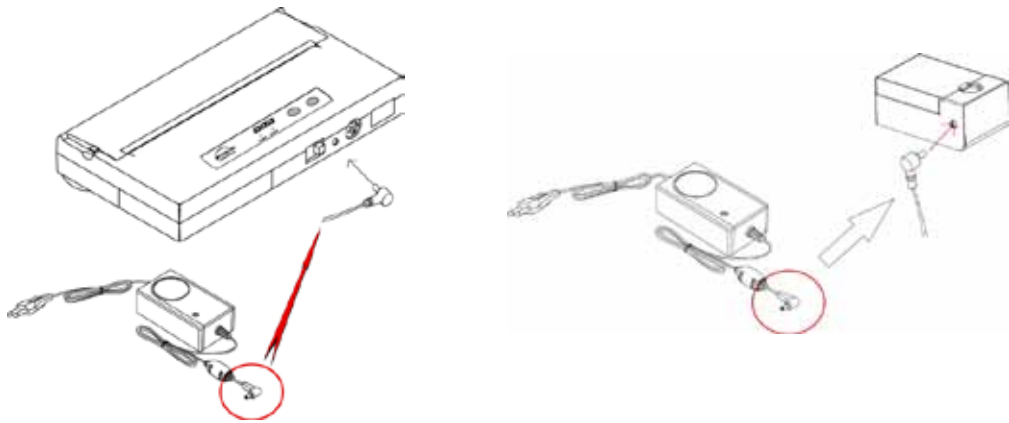
3

가 가



2.4.3.

가





U 1 , 가 8 , 가 1 .  
® 1 , 가 2 , 가  
Medium 1 .

Bluetooth/57600 bps/7 data bit/ Odd parity/ 2 stop bit/ Density high  
/ No use / Medium 1

\* M37702 ( OLD ) Version

	( )	( )		
			IrDA Ver.	Bluetooth Ver.
Communication Port	1	1	RS-232C	RS-232C
		2	Protocol IrDA	Protocol Bluetooth
		3	Standard IrDA	Bluetooth
Baud Rate	2	1	1200 bps	
		2	2400 bps	
		3	4800 bps	
		4	9600 bps	
		5	19200 bps	
		6	38400 bps	
		7	57600 bps	
		8	115200 bps	
Data Bit	3	1	7 Data bit	
		2	8 Data bit	
Parity Bit	4	1	No Parity	
		2	Even Parity	
		3	Odd Parity	
Density	5	1	Density Low	
		2	Density Medium	
		3	Density High	
Protocol	6	1	Default Protocol	
		2	Lotte Protocol	
Mark	7	1	No use	
		2	Use	
Sensor	8	1	Low	
		2	Medium1	
		3	Medium2	
		4	High	

< M16C, ARM ( NEW ) Version >

| : . ( 3 )  
 | : . (Error Lamp)  
 | : . (Power Lamp)

[ ] :  
 UART / 9600 bps / 8 data bit / No parity / 1 stop bit / Density low  
 / Mark use / Sensor low / Power down 5 minute

Bluetooth / 57600 bps / 7 data bit / Odd parity / 2 stop bit / Density high  
 / Mark no use / Sensor medium1 / Power down no use

U 가 5  
 ® 가 1 가 1  
 ® 2 가 3 , 가  
 Bluetooth  
 U 1 , 가 2 , 가 1  
 ® 3 , 가 4 , 가  
 57600 bps  
 U 1 3 , 가 2  
 ® , 가 1  
 가 7 data bit  
 U 1 , 가 4 , 가 1  
 ® 1 , 가 2  
 가 Odd parity  
 U 1 , 가 5 , 가 1  
 ® 1 , 가 3 , 가  
 2 stop bit

U 1 , 가 6 , 가 1 .  
® 2 , 가 3 , 가  
Density high .  
U 1 , 가 7 , 가 2 .  
® 1 , 가 1 , 가  
No use .  
U 1 , 가 8 , 가 1 .  
® 1 , 가 2 , 가  
Medium 1 .  
U 1 , 가 9 , 가 6 .  
® 1 , 가 1 ,  
No use .

Bluetooth / 57600 bps / 7 data bit / Odd parity / 2 stop bit / Density high  
/ Mark no use / Sensor medium1 / Power down no use

\* M16C , ARM ( NEW Version )

	( )	( )		
			IrDA Ver.	Bluetooth Ver.
Communication Port	1	1	UART	UART
		2	Protocol UART	Protocol UART
		3	Raw IrDA	Bluetooth
		4	Protocol IrDA	Protocol Bluetooth
		5	Standard IrDA	
Baud Rate	2	1	9600 bps	
		2	19200 bps	
		3	38400 bps	
		4	57600 bps	
		5	115200 bps	
Data Bit	3	1	7 Data bit	
		2	8 Data bit	
Parity Bit	4	1	No Parity	
		2	Odd Parity	
		3	Even Parity	
Stop Bit	5	1	1 Stop bit	
		2	2 Stop bit	
Density	6	1	Density Low	
		2	Density Medium	
		3	Density High	
Mark	7	1	No use	
		2	Use	
Sensor	8	1	Low	
		2	Medium1	
		3	Medium2	
		4	High	

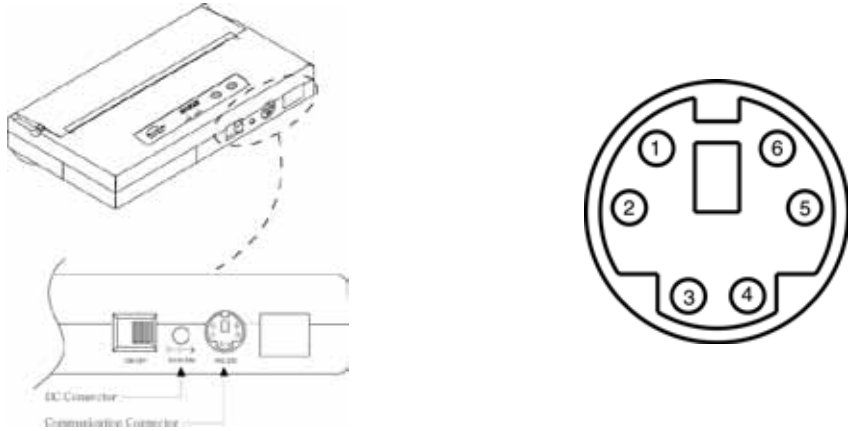
( ... )

	( )	( )	
Power Down	9	1	No use
		2	1 minute
		3	2 minute
		4	3 minute
		5	4 minute
		6	5 minute

< 3 >

### 3.

#### 3.1. UART(RS-232C or TTL)      USB



PORTI-W25      UART(RS-232C or TTL)      USB      가 ,  
6

UART(RS-232C or TTL)

1	GND		Ground
2	N.C		
3	N.C		
4	RxD	Input	Receive data
5	NC		
6	TxD	Output	Transmit data

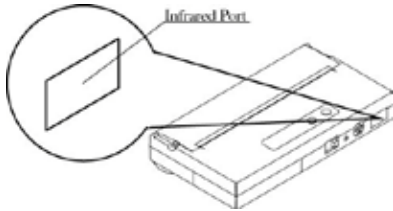
USB

1	N.C	Ground
2	N.C	
3	GND	
4	DP	
5	VCC	5V
6	DM	

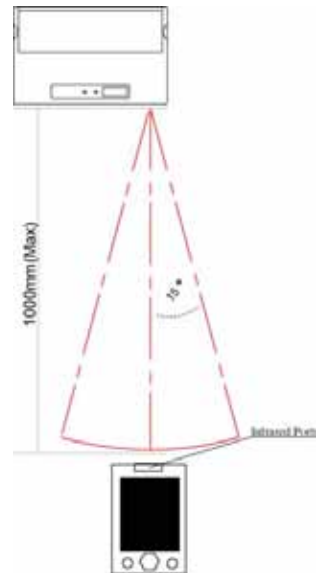
:      가

### 3.2. IrDA

PORTI-W25



- 1) IR 가 PDA 가
- 2) PDA 50cm 15°

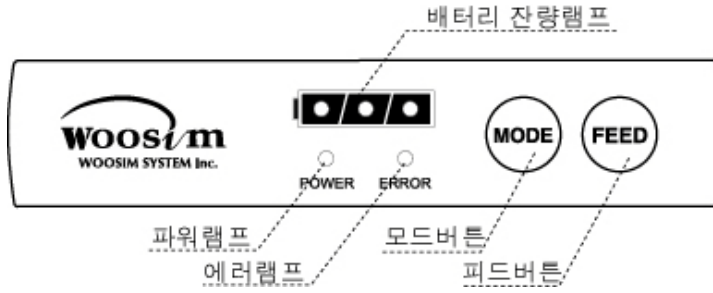


### 3.3.

	Bluetooth Ver2.1 + EDR / Class2 (10m)
	2.4GHz ISM BAND
	57600bps Fixed.
	8 Data bit Fixed.
	No parity Fixed.
	1 Stop bit Fixed.

4.

4.1.



u

-  
-

:  
:

(2.5. )

:

UART (RS-232C or TTL)

u

-  
-

:  
:

가 , 가 ,

-

:

가

## 4.2.

가

1.

2.

3.

( )

4.

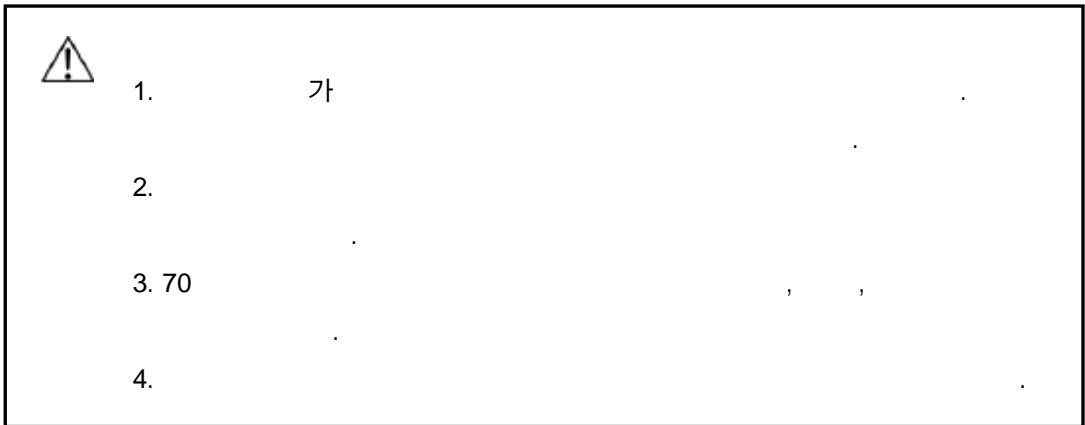
5.

가

## 5.

### 5.1.

:  
: 117mm  
:  $60\pm 5\mu\text{m}$   
:  $\text{Ø}25\text{mm}$   
:



### 6.2.

