

Operator's Manual

PORTI-SW40/45

(3)

Rev. 3.0



가 448 ,

3 501

: +82-2-2107-3700

: +82-2-2107-3707

<http://www.woosim.com>

| Copyright

PORTI-SW40/45 3

Copyright 2010



|

가

|

!

u (SW40:107.4 x 88.5 x 45mm, SW45:107.4 x 95.5 x 50mm).

u (SW40:335g, SW45:380g)

u

u (60mm/sec, MAX)

u (203dpi : 8dots/mm)

u UART(RS-232C or TTL) , Bluetooth Ver2.1+EDR

IrDA Ver1.0(SIR) []

u , , LED

u

u CLAMSHELL

u 가

u

u Microsoft Windows XP / VISTA / 7 / CE / Linux / Android

u : 1.5m ()

u : (XON/XOFF)

u



I

U

: -10°C to 50°C

: 30% to 80%

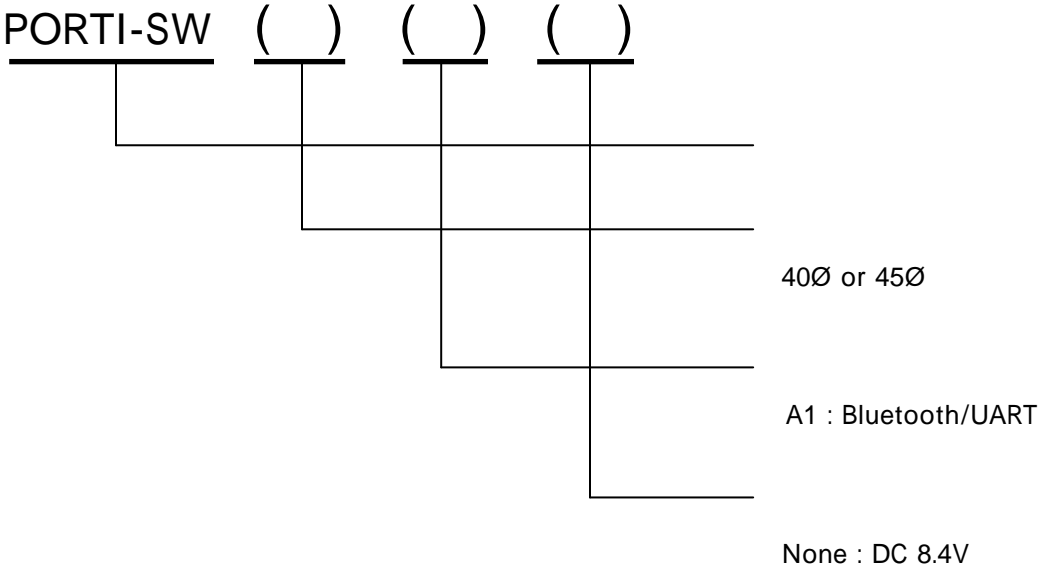
IrDA

U

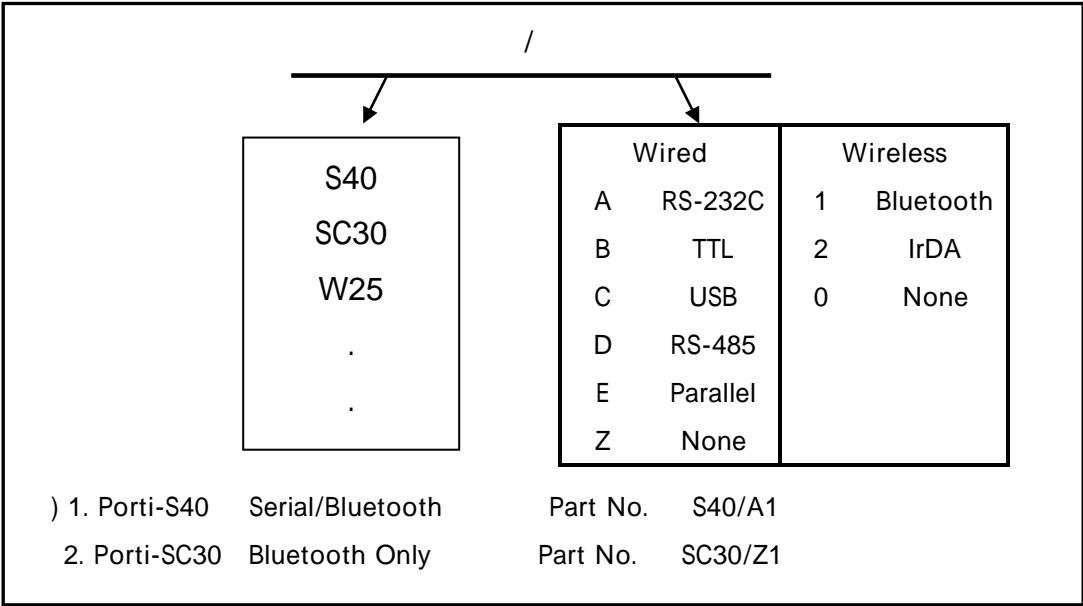
- 1.6
 - 1.1.6
 - 1.2. Part Number6
 - 1.3.7
- 2.9
 - 2.1.9
 - 2.2.10
 - 2.2.1.10
 - 2.2.2.11
 - 2.3.12
 - 2.4.13
 - 2.4.1.13
 - 2.4.2.13
 - 2.4.3.14
 - 2.5.15
- 3.20
 - 3.1. UART(RS-232C or TTL)20
 - 3.2. IrDA21
 - 3.3.22
- 4.23
 - 4.1.23
 - 4.2.24
- 5.25
 - 5.1.25
 - 6.2.25

1.

1.1.



1.2. Part Number



1.3.

	64cpl (MAX)
	: 9*24dots, 12*24dots : 16*24dots, [24*24dots]
	Simplified/Traditional Chinese, Arabic, Cyrillic, Russian, Turkish, Greek, Japanese, Persian, Latin9 and Others upon request.
	203dpi, 8dots/mm
	3 (72mm, 576dots)
	60mm /sec(MAX)
	SW40 : 107.4 x 88.5 x 45mm SW45 : 107.4 x 95.5 x 50mm
	SW40:335g, SW45:380g (&)
	UART(RS-232C or TTL), Bluetooth Ver 2.1+EDR IrDA Ver1.0 (SIR) []
	(80mm, 40ø 45ø)
	1 : Code128, Code39, I2/5, Code93 UPC, EAN, KAN, JAN, CODABAR 2 : PDF417, QR Code, DATA Matrix
	Microsoft Widows XP / VISTA / 7 Windows CE, Linux, Android
	MCU : 32bits RISC, FLASH : 4 M bytes, RAM : 8 M bytes
	1M bytes
	가 7.4V DC, 1400mAh ()
	1
	(100~250V AC 50~60Hz) (8.4VDC/0.8A), - 4

(...)

		-10°C ~ 50°C () -10°C ~ 70°C ()
		30% - 80% () 10% - 90% ()
	Mechanical	37,000,000 lines
	Head	50 Km

< 1 >

2.

2.1.

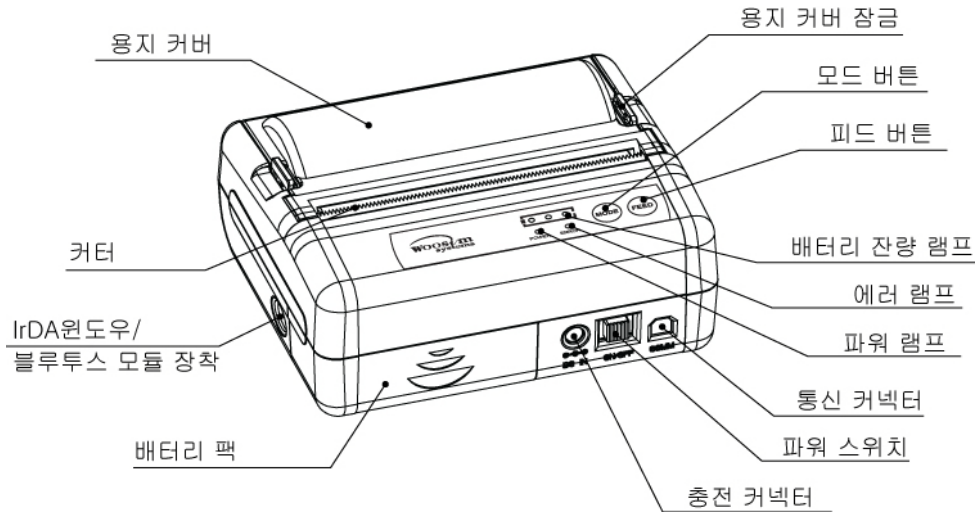


PORTI-SW40/45



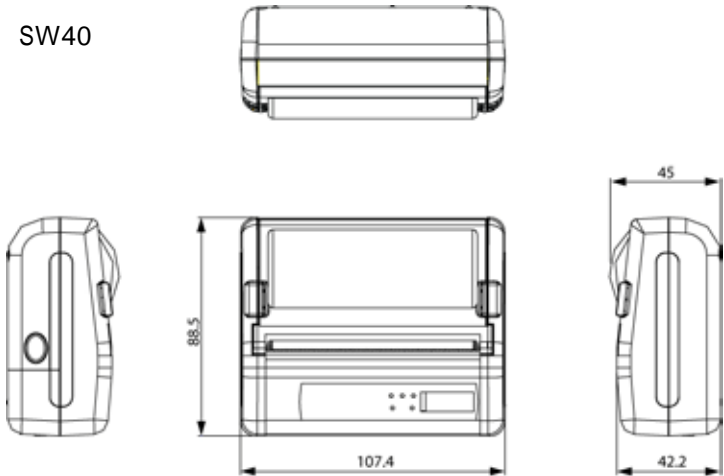
2.2.

2.2.1.

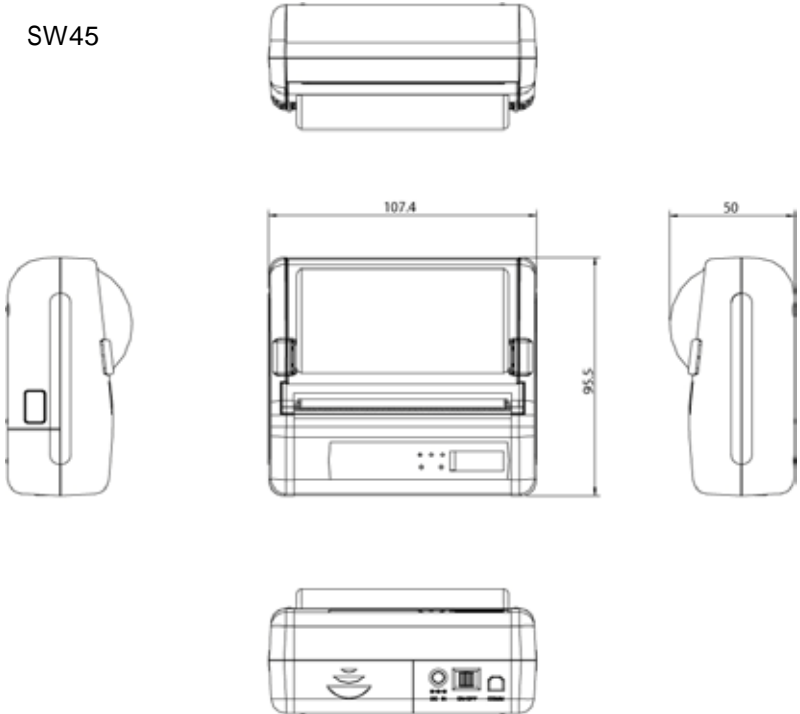


2.2.2.

SW40



SW45

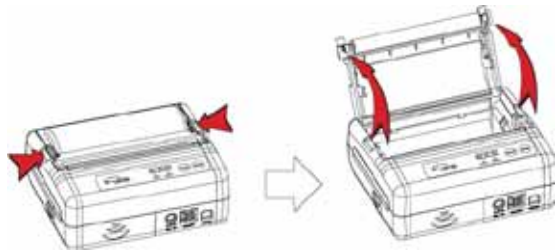


2.3.

1. () 가 () 가

1. 가 가

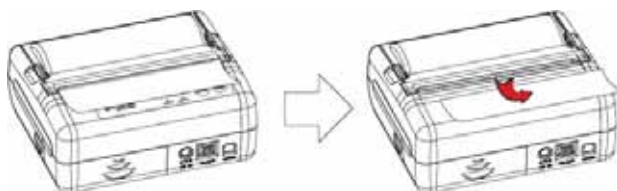
2. 가



3.



4.



2.4.

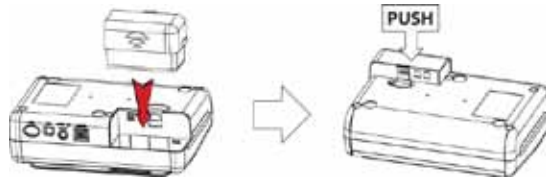
2.4.1.

: DC 8.4V / 0.8A

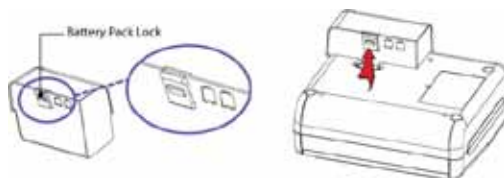
2.4.2.



가 가

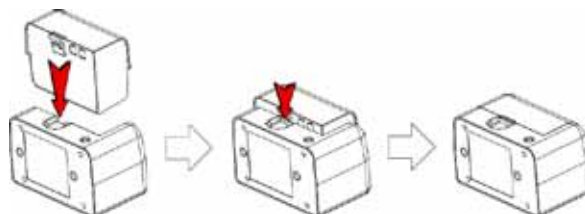


가



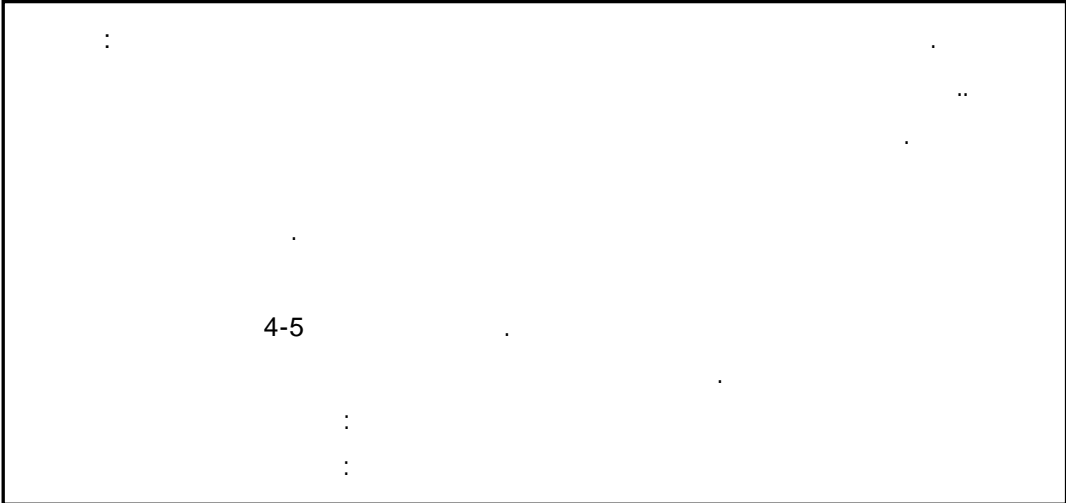
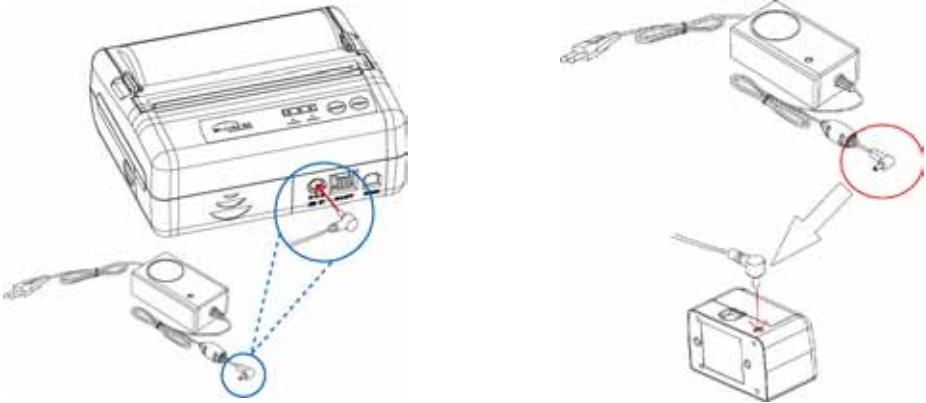
3

가 가



2.4.3.

가



2.5.

| : . ()
 | : . ()

[] :
 UART / 9600 bps / 8 data bit / No parity / 1 stop bit / Density low
 / Mark use / Sensor low / Power down 5 minute

Bluetooth / 57600 bps / 7 data bit / Odd parity / 2 stop bit / Density high
 / Mark no use / Sensor medium1 / Power down no use

U 가 5
 ® 가 1 가 1
 ® 2 가 3 , 가
 Bluetooth
 U 1 , 가 2 , 가 1
 ® 3 , 가 4 , 가
 57600 bps
 U 1 3 , 가 2
 ® , 가 1
 가 7 data bit
 U 1 , 가 4 , 가 1
 ® 1 , 가 2 ,
 가 Odd parity
 U 1 , 가 5 , 가 1
 ® 1 , 가 3 , 가
 2 stop bit

U 1 , 가 6 , 가 1 .
 ® 2 , 가 3 , 가
 Density high
 U 1 , 가 7 , 가 2 .
 ® 1 , 가 1 , 가
 No use
 U 1 , 가 8 , 가 1 .
 ® 1 , 가 2 , 가
 Medium 1
 U 1 , 가 9 , 가 6 .
 ® 1 , 가 1 ,
 No use

Bluetooth / 57600 bps / 7 data bit / Odd parity / 2 stop bit / Density high
 / Mark no use / Sensor medium1 / Power down no use

* M16C Version

	()	()		
			IrDA	Bluetooth
Communication Port	1	1	UART(RS-232C)	UART(RS-232C)
		2	Protocol UART (RS-232C)	Protocol UART (RS-232C)
		3	Raw IrDA	Bluetooth
		4	Protocol IrDA	Protocol Bluetooth
		5	Standard IrDA	
Baud Rate	2	1	9600 bps	
		2	19200 bps	
		3	38400 bps	
		4	57600 bps	
		5	115200 bps	
Data Bit	3	1	7 Data bit	
		2	8 Data bit	
Parity	4	1	No Parity	
		2	Odd Parity	
		3	Even Parity	
Stop bit	5	1	1 stop bit	
		2	2 stop bit	
Density	6	1	Density Low	
		2	Density Medium	
		3	Density High	
Mark	7	1	No use	
		2	Use	
Sensor	8	1	Low	
		2	Medium1	
		3	Medium2	
		4	High	

* ARM Version

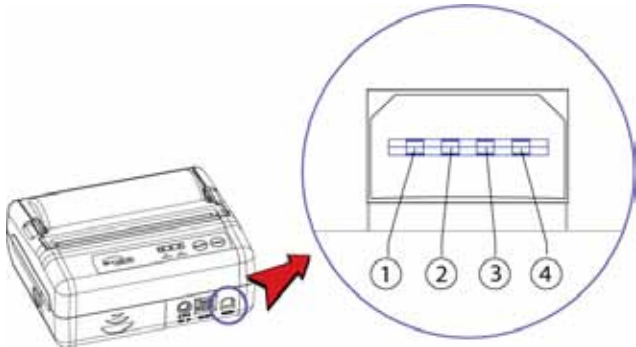
	()	()		
			IrDA	Bluetooth
Communication Port	1	1	UART(RS-232C)	UART
		2	Protocol UART (RS-232C)	Protocol UART RS-232C)
		3	Raw IrDA	Bluetooth
		4	Protocol IrDA	Protocol Bluetooth
		5	Standard IrDA	
Baud Rate	2	1	9600 bps	
		2	19200 bps	
		3	38400 bps	
		4	57600 bps	
		5	115200 bps	
Data Bit	3	1	7 Data bit	
		2	8 Data bit	
Parity Bit	4	1	No Parity	
		2	Odd Parity	
		3	Even Parity	
Stop Bit	5	1	1 Stop bit	
		2	2 Stop bit	
Density	6	1	Density Low	
		2	Density Medium	
		3	Density High	
Mark	7	1	No use	
		2	Use	
Sensor	8	1	Low	
		2	Medium1	
		3	Medium2	
		4	High	

(...)

	()	()	
Power Down	9	1	No use
		2	1 minute
		3	2 minute
		4	3 minute
		5	4 minute
		6	5 minute

3.

3.1. UART(RS-232C or TTL)



PORTI-SW40/45 UART(RS-232C or TTL) 가 , 4
 USB . .

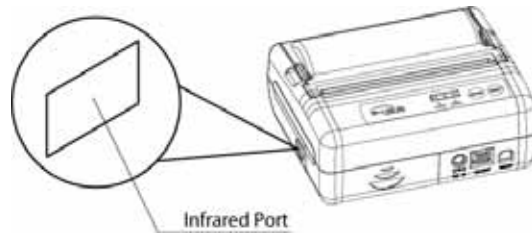
1	TxD	Output	Transmit Data
2	RxD	Input	Receive Data
3	CTS	-	-
4	GND	-	Ground

* Applicable connector : SUNG KYUNG (CM-720)

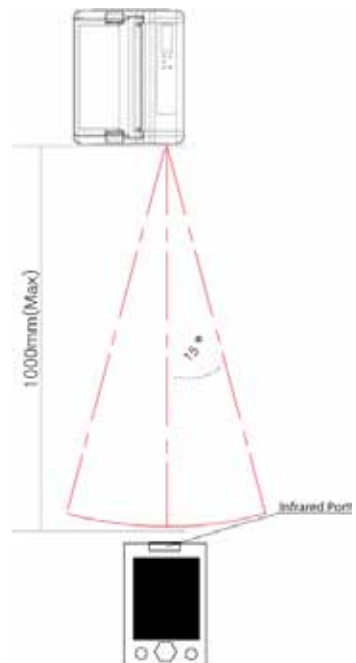
: 가

3.2. IrDA

PORTI-SW40/45



- 1) IR 가 PDA 가
- 2) PDA 50cm 15°

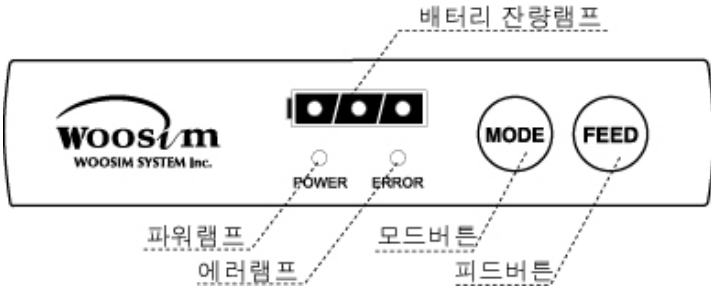


3.3.

	Bluetooth Ver2.1 + EDR / Class2 (10m)
	2.4GHz ISM BAND
	57600bps Fixed.
	8 Data bit Fixed.
	No parity Fixed.
	1 Stop bit Fixed.

4.

4.1.



u

- :
- :

(2.5.)

: UART (RS-232C or TTL)

u

- :
- :

가 , 가 ,

가

4.2.

가

- 1.
- 2.
- 3.
- 4.
- 5.


()

가

5.

5.1.

- : 80mm
- : $60 \pm 5 \mu\text{m}$
- : $\varnothing 40\text{mm}$, $\varnothing 45\text{mm}$
- :

 1. 가

2.

3. 70 , ,

4.

6.2.

