

Operator's Manual

PORTI-SC40N

(2)

Rev. 3.0



가 448 ,

3 501

: +82-2-2107-3700

: +82-2-2107-3707

<http://www.woosim.com>

Porti-SC40N 2
Copyright 2010



가

!

- u (80.25×112×46.1mm)
- u (300g)
- u
- u (80mm/sec, MAX)
- u (203dpi : 8dots/mm)
- u UART(RS-232C or TTL), Bluetooth Ver2.1 + EDR
- u (MSR : Magnetic Stripe Reader)
- u LCD(128x32dots)
- u
- u LED
- u CLAMSHELL
- u
- u Door open & Paper-out
- u 가
- u -
- u Microsoft Windows XP/VISTA/7/CE/Linux/Android
- u : 1.5m ()
- u : (XON/XOFF)
- u



I

U

: -10°C to 50°C

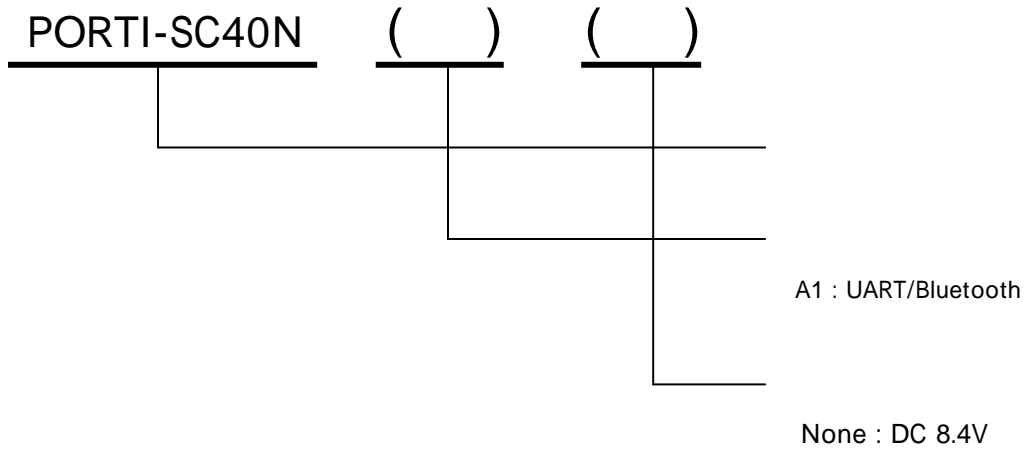
: 30% to 80%

U

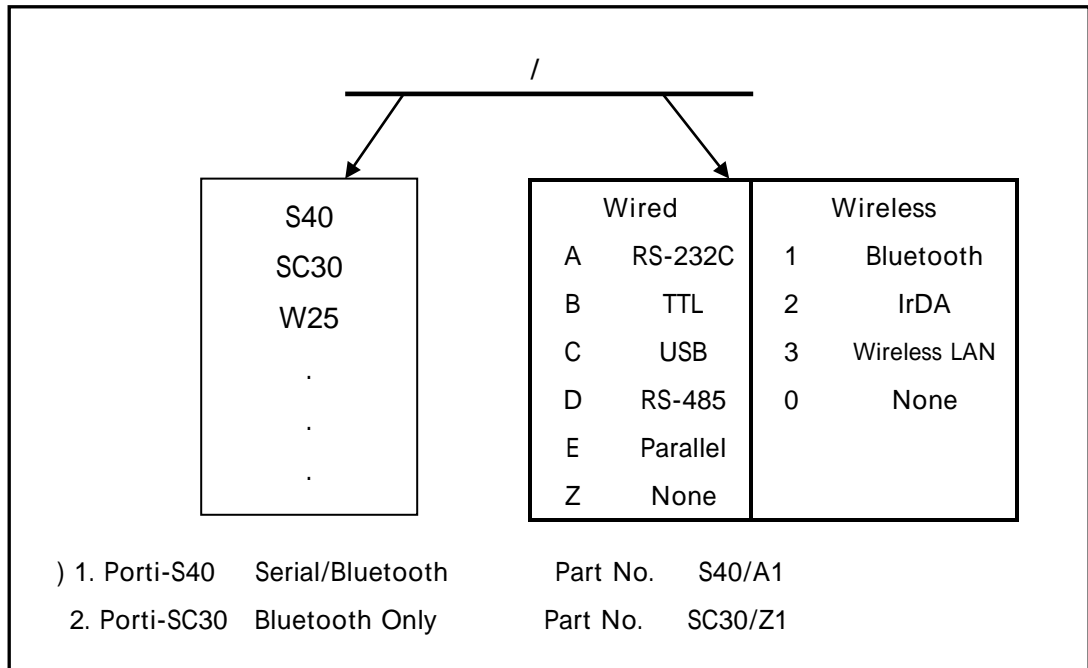
1.	6
1.1.	6
1.2	Part Number	6
1.3.	7
2.	9
2.1.	9
2.2.	10
2.3.	11
2.4.	12
2.5.	13
2.5.1.	13
2.5.2.	13
2.5.3.	14
2.6.	15
3.	18
3.1.	UART(RS-232C or TTL)	18
3.2.	18
3.3.	19
4.	20
4.1.	20
4.2.	21
5.	22
5.1.	22
5.2.	22

1.

1.1.



1.2 Part Number



1.3.

	42cpl (MAX)
	: 9*24dots, 12*24dots : 16*24dots, [24*24dots]
	Simplified/Traditional Chinese, Arabic, Cyrillic, Russian, Turkish, Greek, Japanese, Persian, Latin9 and Others upon request.
	203dpi, 8dots/mm
	2-inch (48mm, 384dots)
	80mm / sec (MAX)
	80.25×112×46.1mm
	300g (&)
	UART(RS-232C or TTL), Bluetooth Ver 2.1 + EDR
	(57mm, 40ø)
	1 : Code128, Code39, I2/5, Code93 UPC, EAN, KAN, JAN, CODABAR 2 : PDF417, QR Code, DATA Matrix
	Microsoft Widows XP / VISTA / 7 Windows CE, Linux, Android OS
	MCU : 32bits RISC, FLASH : 4M bytes, RAM : 8M bytes 1M bytes
MSR	ISO 7810 / 7811 / 7812 1&2 2&3
LCD	128×32 Dots FSTN (LED)
	가 7.4V DC, 1100mAh ()

(...)

	1	
	(100~250V AC 50~60Hz) (8.4VDC/0.8A),	- 4
		-10°C ~ 50°C () -10°C ~ 70°C ()
		30% - 80% () 10% - 90% ()
	Mechanical	37,000,000 lines
	Head	50 Km

< 1 >

2.

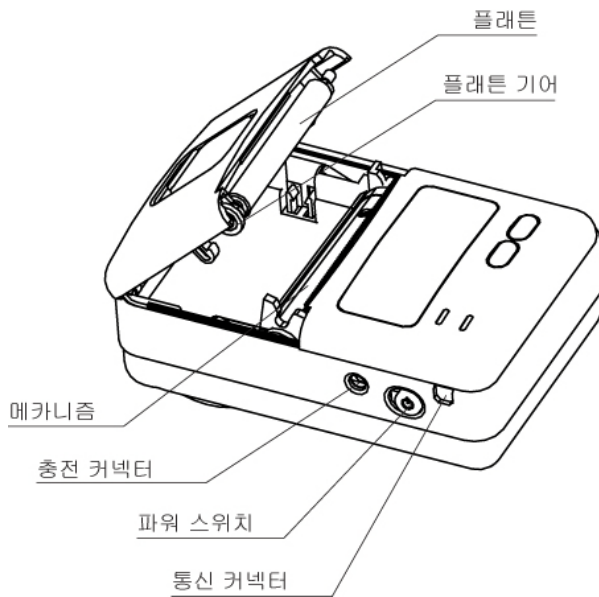
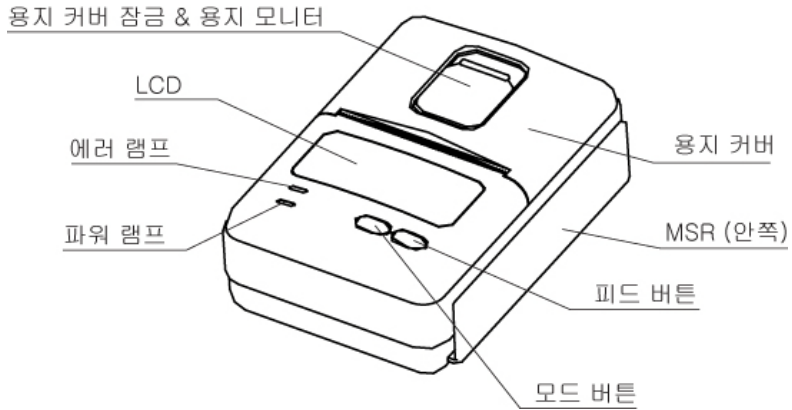
2.1.



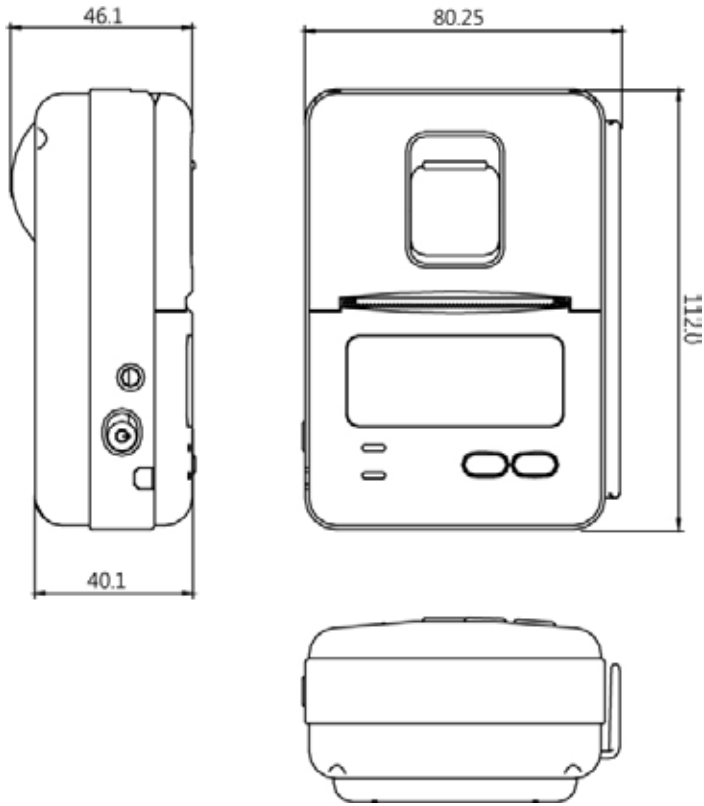
PORTI-SC40N



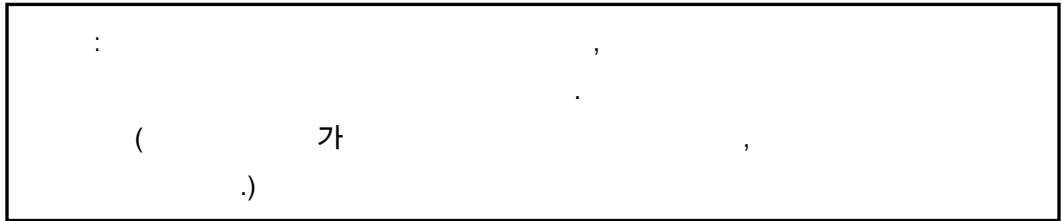
2.2.



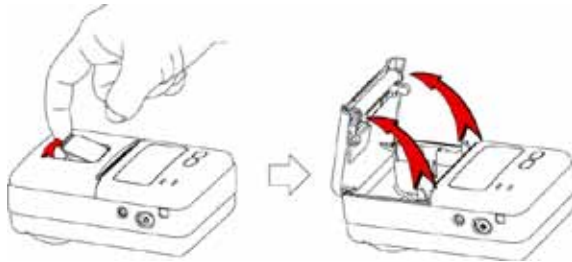
2.3.



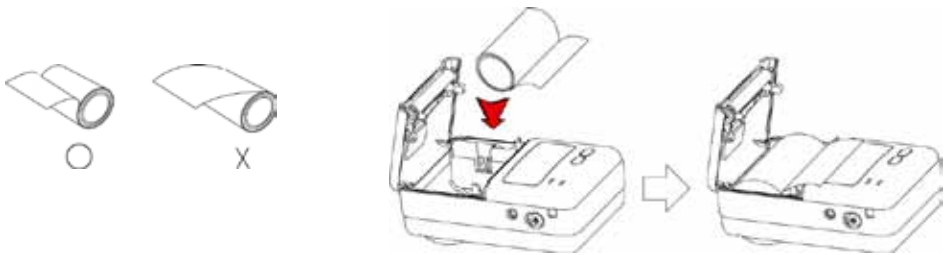
2.4.



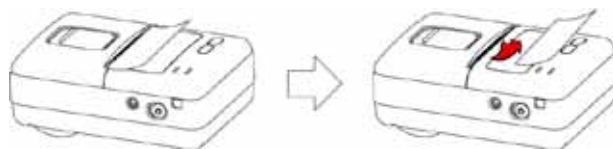
1. 가 가 가
2. 가 가 가



3.



4.

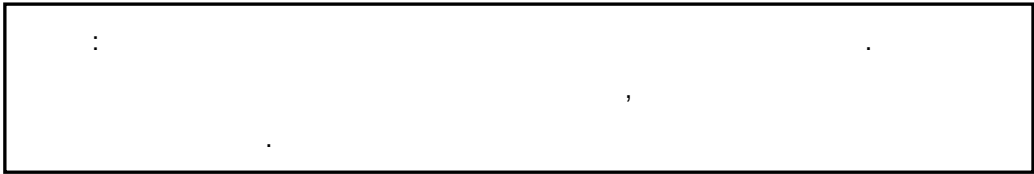


2.5.

2.5.1.

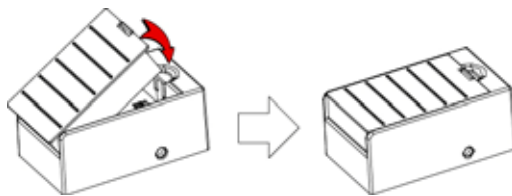
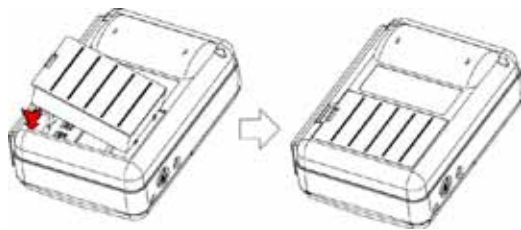
: DC 8.4V / 0.8A

2.5.2.



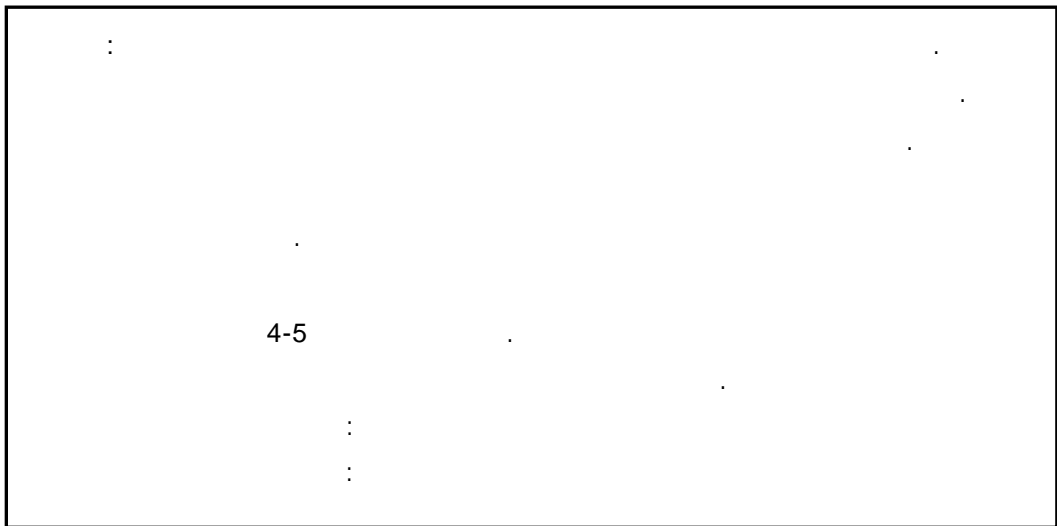
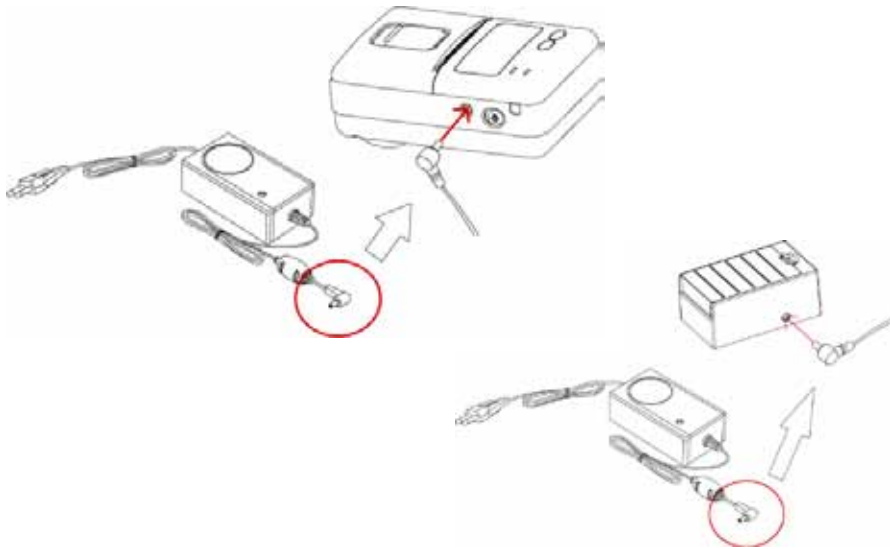
가 가

가



2.5.3.

가



2.6.

. (2)

| : .
 | : .
 []

UART/ 9600 bps/8 Data bit/ No parity/1 Stop bit/ Density
 low / Low / Use / Low / 5 minutes
 Bluetooth / 57600 bps / 7 Data bit / Odd parity / 2 stop bit /
 Density high / High / No use / Medium 1 ,

- U 가 5 .
 ® LCD . (UART)
 ® 2 , 가 Bluetooth .
- U 1 .
 ® LCD . (9600 bps)
 ® 3 , 가 57600 bps .
- U 1 .
 ® LCD . (8 Data bit)
 ® 1 , 가 7 Data bit .
- U 1 .
 ® LCD . (No parity)
 ® 1 , 가 Odd parity .
- U 1 .
 ® LCD . (1 stop bit)
 ® 1 , 가 2 stop bit .
- U 1 .
 ® LCD . (Density low)
 ® 2 , 가 Density high .

U		1	.	
®	LCD		.	(Low)
®		1	,	가 High
U		1	.	
®	LCD		.	(Use)
®		1	,	가 No use
U		1	.	
®	LCD		.	(Low)
®		1		가 Medium 1

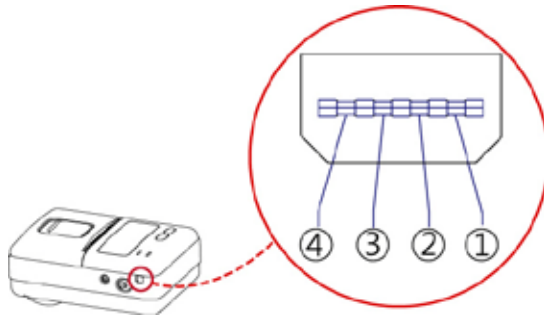
Bluetooth / 57600bps / 7 data bit / Odd parity / 2 stop bit / Density high
 / High/No use / Medium 1

	()		()
1	Communication Port	1	UART
		2	UART (Protocol)
		3	Bluetooth
		4	Bluetooth (Protocol)
2	Baud Rate	1	9600 bps
		2	19200 bps
		3	34800 bps
		4	57600 bps
		5	115200 bps
3	Data Bit	1	7 Data bit
		2	8 Data bit
4	Parity Bit	1	No Parity
		2	Odd Parity
		3	Even Parity
5	Stop Bit	1	1 Stop Bit
		2	2 Stop Bit
6	Density	1	Low Density
		2	Medium Density
		3	High Density
7	Mark	1	No use
		2	Use
8	Sensor	1	Sensor Low
		2	Sensor Medium 1
		3	Sensor Medium 2
		4	Sensor High

< 2 >

3.

3.1. UART(RS-232C or TTL)



PORTI-SC40N
4 USB

UART(RS-232C or TTL)

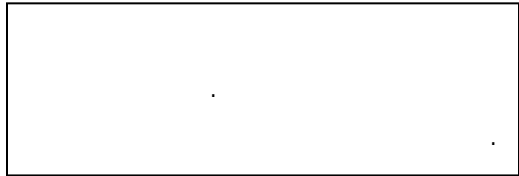
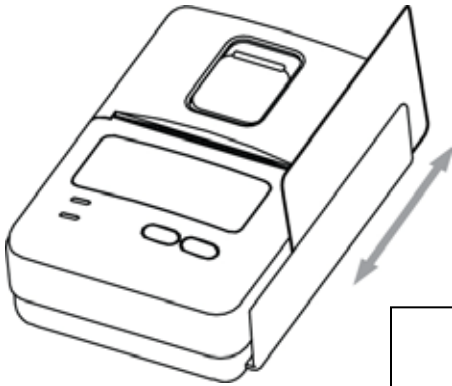
가 ,

1	TxD	Output	Transmit Data
2	RxD	Input	Receive Data
3	CTS	-	-
4	GND	-	Ground

3.2.

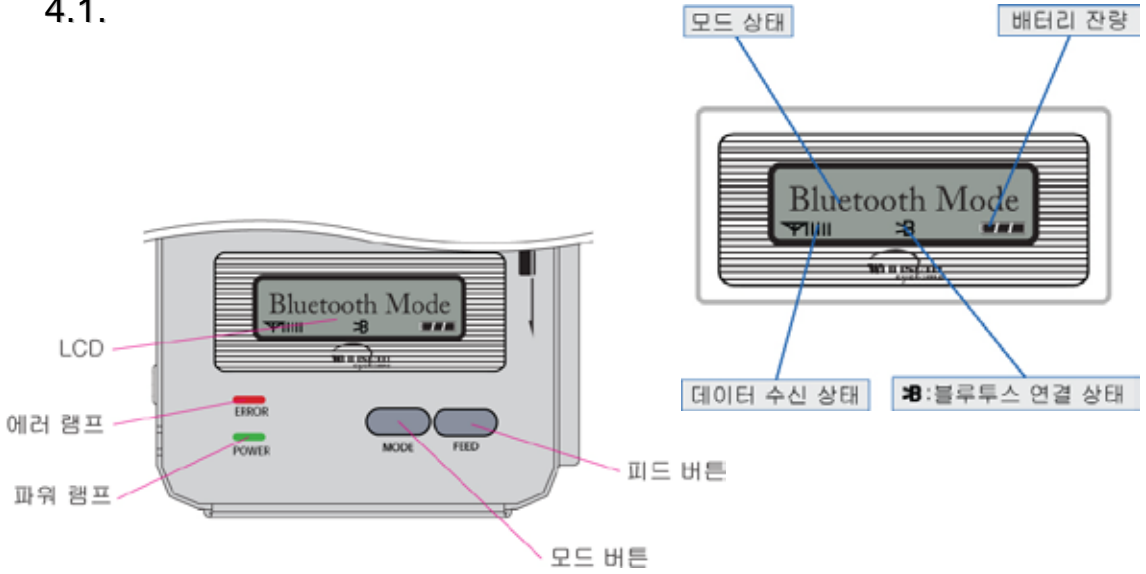
	Bluetooth Ver2.1 + EDR / Class2 (10m)
	2.4GHz ISM BAND
	57600bps Fixed.
	8 Data bit Fixed.
	No parity Fixed.
	1 Stop bit Fixed.

3.3.



4.

4.1.



u

-

:

-

:

(2.6

)

:

UART (RS-232C or TTL)

u

-

:

가

-

:

가

가

uLCD

- LCD

(i.e:

4.2.

- 1.
- 2.
- 3.
- 4.
- 5.

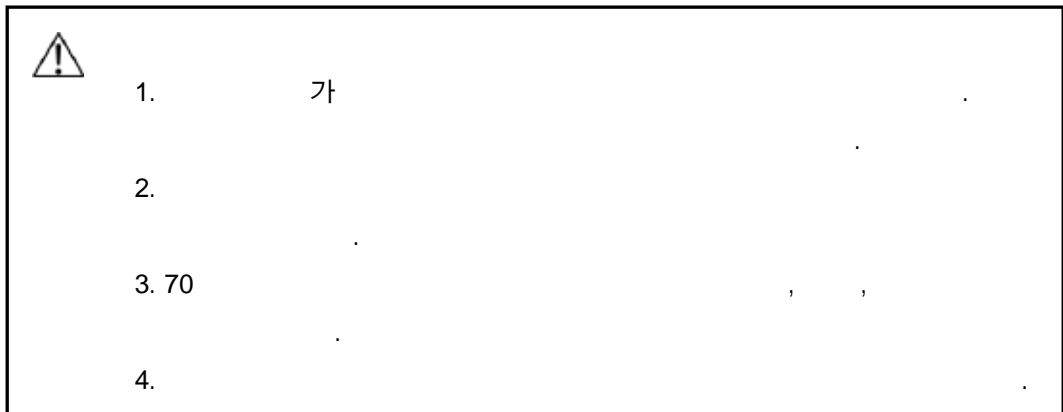
()

가

5.

5.1.

- :
: 57mm
: $60 \pm 5 \mu\text{m}$
: $\text{Ø}40\text{mm}$
:



5.2.

