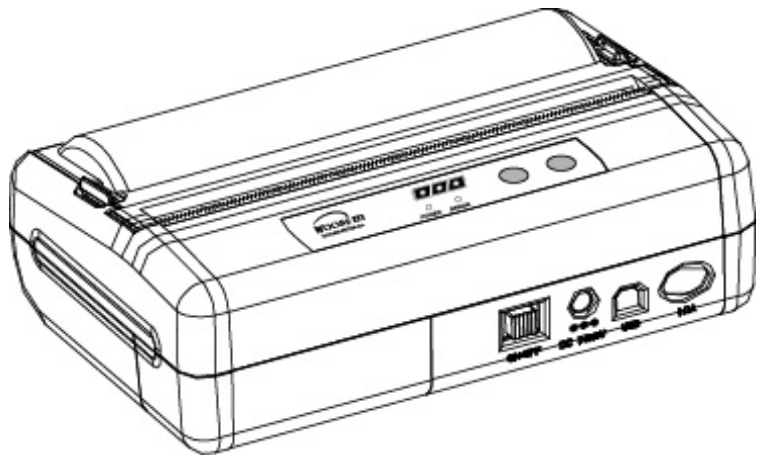


PORTI-W40

(4)

Rev. 2.0



가 448 ,

3 501

: +82-2-2107-3700

: +82-2-2107-3707

<http://www.woosim.com>

||

PORTI-W40

Copyright ©2008

||



||

가

||

!

, , , , , , , ,
.

U (138mm x 88.5mm x 45.2mm).

U (408g)

U

U (50mm/sec,MAX)

U (203dpi, 8dot/mm)

U UART(RS-232C or TTL), Bluetooth Ver2.1 + EDR ,
IrDA Ver1.0(SIR)[], USB[]

U , , LED

U ,

U CLAMSHELL

U Door open & Paper-out

U 가

U - ,

U Microsoft Windows 98 / ME / 2000 / XP / VISTA / 7

U : 1~1.5m()

U : (XON/XOFF)

U



I

U



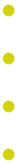
: -10°C ~ 50°C

: 10% ~ 90%



IrDA

U



| Note

This equipment has been tested and found to comply with the limits for a Class B digital device, pursuant to Part 15 the FCC Rules.

These limits are designed to provide reasonable protection against harmful interference in a residential installation.

These equipment generates, uses and can radiate radio frequency energy and, if not installed and used in accordance with the instructions, may cause harmful interference to radio communications.

However, there is no guarantee that interference will not occur in a particular installation.

If this equipment does cause harmful interference to radio or television reception , which can be determined by turning the equipment off and on, the user is encouraged to try to correct the interference by one or more of the following measures:

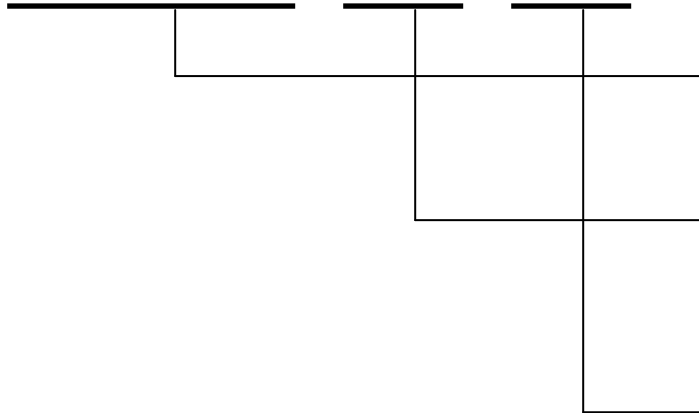
- Reorient or relocate the receiving antenna.
- Increase the separation between the equipment and receiver.
- Connect the equipment into an outlet on a circuit different from that to which the receiver is connected.
- Consult the dealer or an experienced radio/TV technician for help.

1.	7
1.1.	7
1.2.	Part Number	7
1.3.	8
2.	10
2.1.	10
2.2.	11
2.2.1.	11
2.2.2.	11
2.3.	12
2.4.	14
2.4.1.	14
2.4.2.	14
2.4.3.	15
2.5.	16
3.	26
3.1.	UART(RS-232C or TTL) or USB	26
3.2.	IrDA	27
3.3.	27
4.	28
4.1.	28
4.2.	29
5.	30
5.1.	30
5.2.	30

1.

1.1.

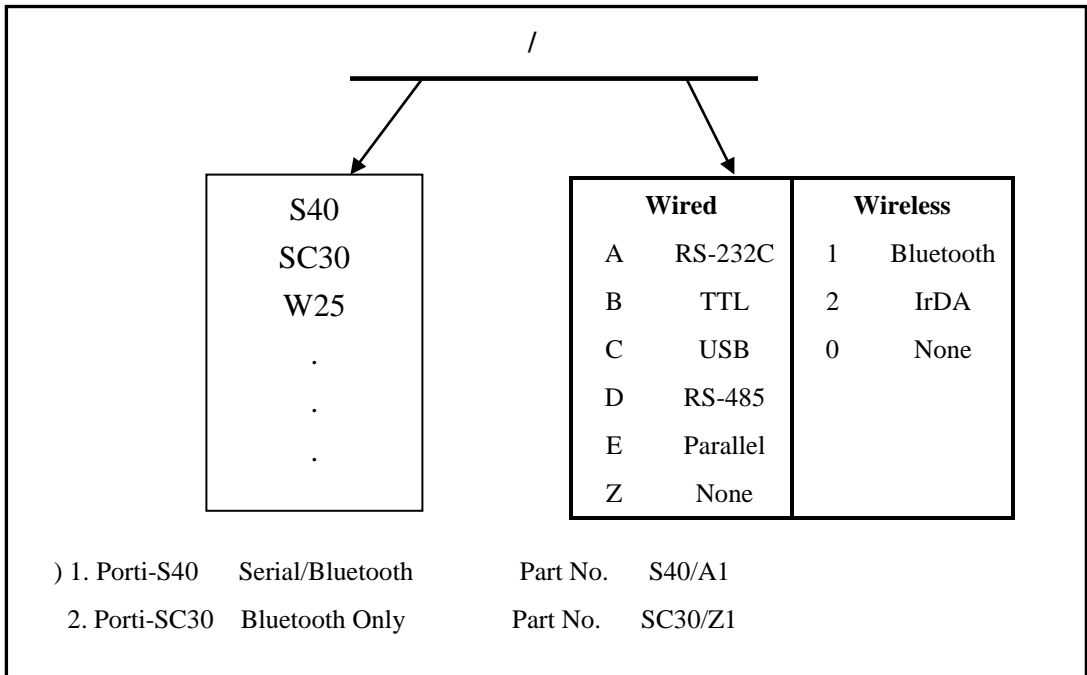
PORTI-W40 () ()



None : IrDA/UART
 BT : Bluetooth/UART
 U : USB/UART

None : DC 8.4V

1.2. **Part Number**



1.3.

	92cpl (MAX)
	:9*24dots, 12*24dots :16*24dots, [24*24dots]
	Simplified/Traditional Chinese, Arabic, Cyrillic, Russian, Turkish, Greek, Japanese, Persian, Latin9 and Others upon request.
	203dpi, 8dots/mm
	4-inch (104mm, 832dots)
	50mm / sec (MAX)
	138 * 88.5 * 45.2 mm
	408g ()
	UART(RS-232C or TTL), Bluetooth Ver2.1 + EDR, IrDA Ver1.0 (SIR)[], USB[]
	(113mm, 38ø)
	1-dimension : Code128, Code39, I2/5, Code93 UPC, EAN, KAN, JAN, CODABAR 2-dimension : PDF417, QR Code, DATA Matrix
	MCU : 32bits RISC, FLASH : 4M bytes, RAM : 8M bytes
	1M bytes
	7.4V DC , 1400mAh ()
	1
	(100~250V AC 50~60Hz) (8.4VDC/0.8A), - 4

(Continue...)

		-10°C ~ 50°C ()
		-10°C ~ 70°C ()
		30% - 80% ()
		10% - 90% ()
MCBF (Mean Cycle Between failure)	Mechanical	37,000,000 lines
	Head	50 Km

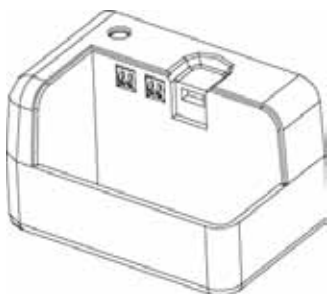
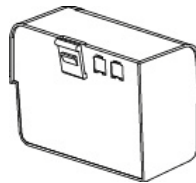
< Table 1 >

2.

2.1.

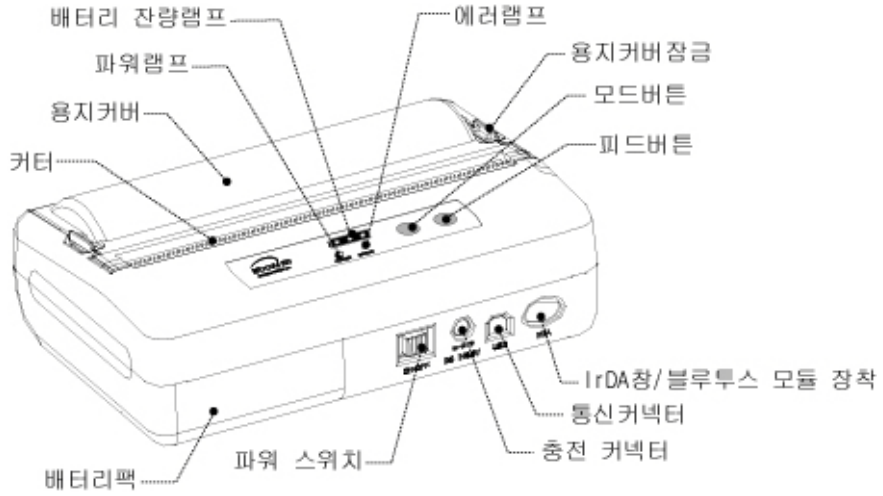


PORTI-W40

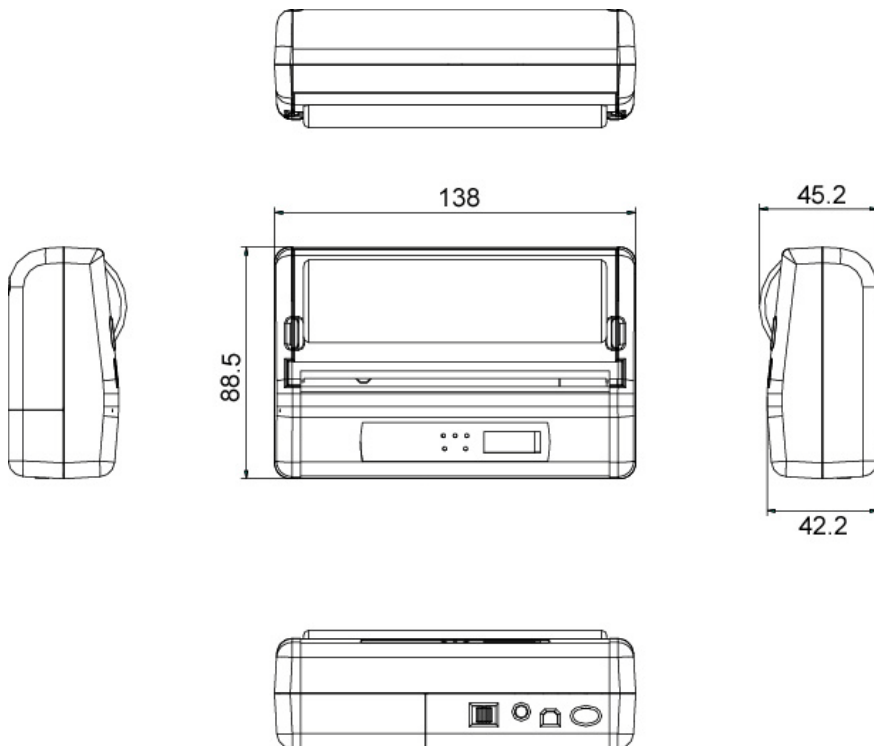


2.2.

2.2.1.



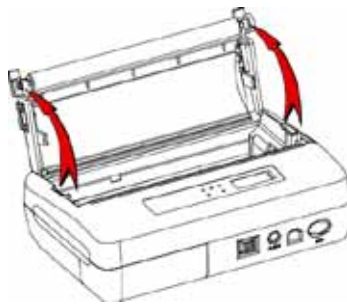
2.2.2.



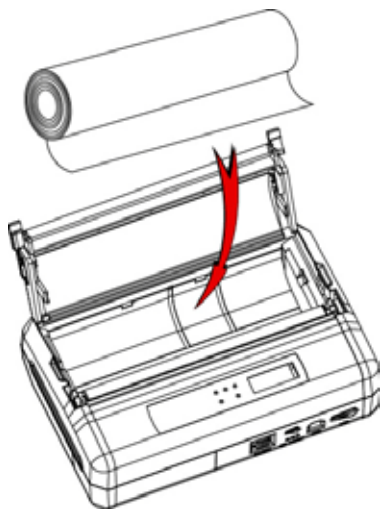
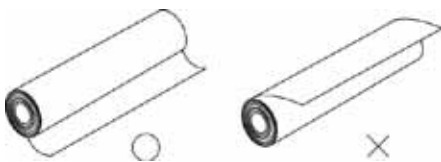
2.3.

1. : ,
(가 ,
.)

1. 가 , 가
가 .
2. , 가 .
3. .

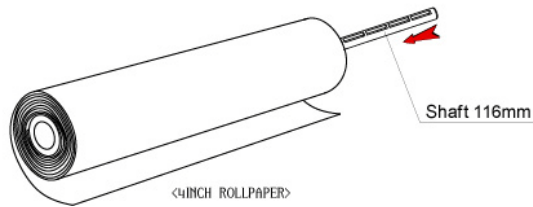
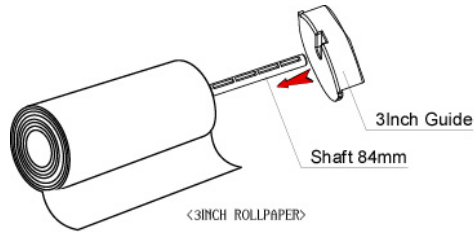


4. .

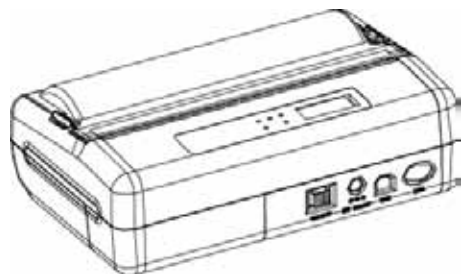


5. 3 가

3



6.



2.4.

2.4.1.

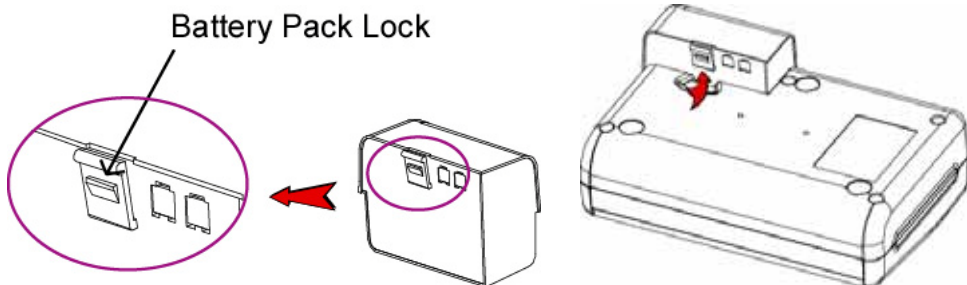
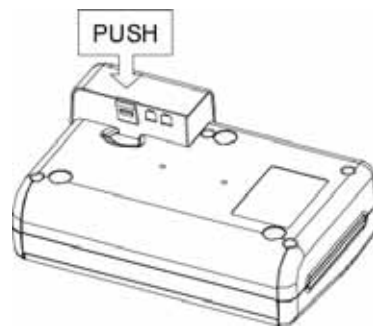
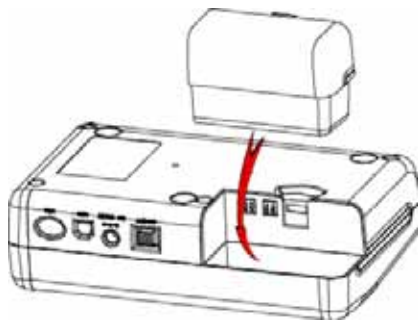
: DC 8.4V / 0.8A

2.4.2.



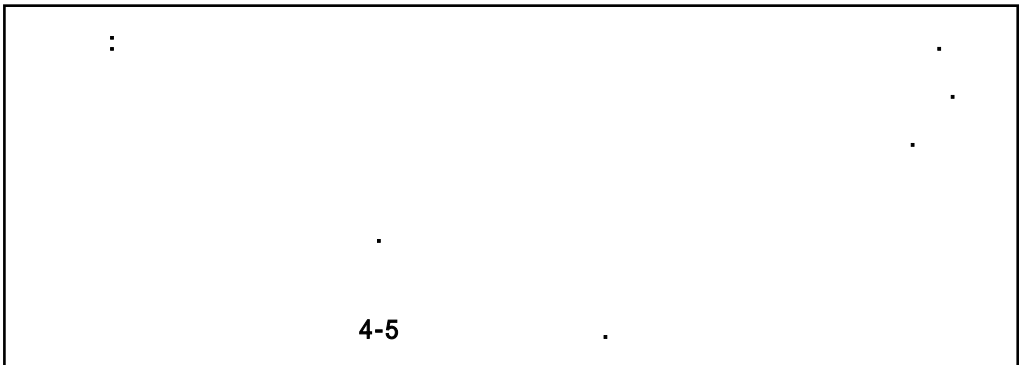
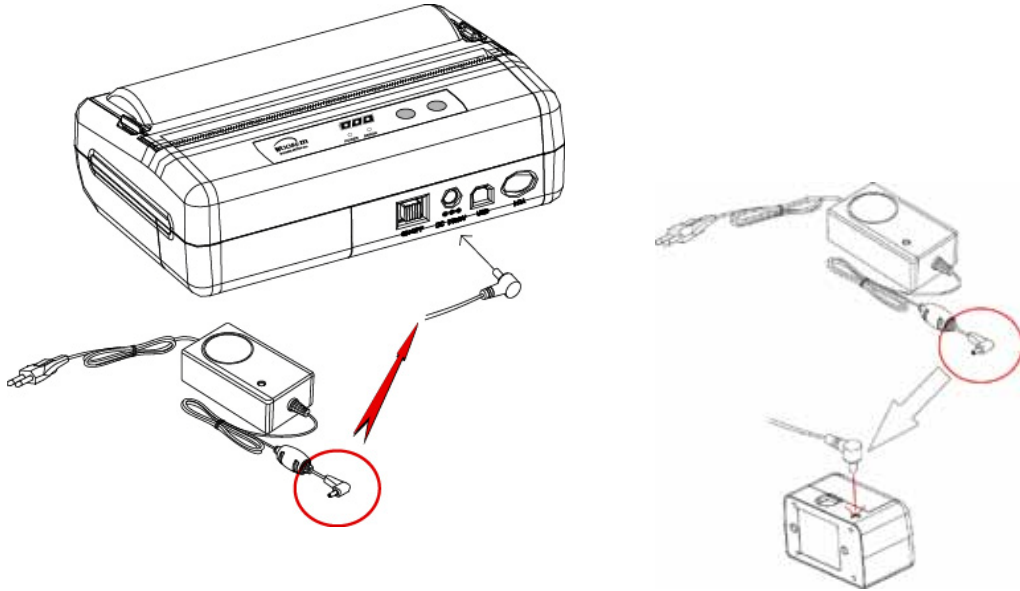
가 가

가



2.4.3.

가



2.5.

< M37702 (OLD) Version >

. (Table 3)

| : . ()

| : . ()

[]

RS-232C/ 9600 bps/ 8 data bit / No parity/ Density low / Use / Low

Bluetooth/57600 bps/7 data bit/Odd parity/Odd parity/Density high / No use/

Medium 1

U 가 5 .

® 가 1 가 1 ..

® 2 가 3 , 가

Bluetooth

U 1 , 가 2 , 가 4 .

® 3 , 가 7 , 가

57600 bps

U 1 가 3 , 가 2 .

® 1 , 가 1 ,

가 7 data bit

U 1 , 가 4 , 가 1 .

® 2 , 가 3 , 가

Odd parity

U 1 , 가 5 , 가 1 .

® 2 , 가 3 , 가

Density high

U 2 , 가 7 , 가 2 .

® 1 , 가 1 , 가

No use

U 1 , 가 8 , 가 1 .
® 1 , 가 2 , 가
Medium 1 .

**Bluetooth/57600 bps/7 data bit/ Odd parity/ 2 stop bit/ Density high
/ No use / Medium 1**

*** M37702 (OLD) IrDA Version**

MODE	POWER Lamp (Green)	ERROR Lamp (Red)	Option
Communication Port	1	1	RS-232C
		2	Protocol IrDA
		3	Standard IrDA
Baud Rate	2	1	1200 bps
		2	2400 bps
		3	4800 bps
		4	9600 bps
		5	19200 bps
		6	38400 bps
		7	57600 bps
		8	115200 bps
Data Bit	3	1	7 Data bit
		2	8 Data bit
Parity Bit	4	1	No Parity
		2	Even Parity
		3	Odd Parity
Density	5	1	Density Low
		2	Density Medium
		3	Density High
Protocol	6	1	Default Protocol
		2	Lotte Protocol
Mark	7	1	No use
		2	Use
Sensor	8	1	Low
		2	Medium1
		3	Medium2
		4	High

< Table 2 >

*** M37702 (OLD) Bluetooth Version**

MODE	POWER Lamp (Green)	ERROR Lamp (Red)	Option
Communication Port	1	1	RS-232C
		2	Protocol Bluetooth
		3	Bluetooth
Baud Rate	2	1	1200 bps
		2	2400 bps
		3	4800 bps
		4	9600 bps
		5	19200 bps
		6	38400 bps
		7	57600 bps
		8	115200 bps
Data Bit	3	1	7 Data bit
		2	8 Data bit
Parity Bit	4	1	No Parity
		2	Even Parity
		3	Odd Parity
Density	5	1	Density Low
		2	Density Medium
		3	Density High
Protocol	6	1	Default Protocol
		2	Lotte Protocol
Mark	7	1	No use
		2	Use
Sensor	8	1	Low
		2	Medium1
		3	Medium2
		4	High

< Table 3 >

< M16C, ARM (NEW) Version >

. (Table 5)

| : .()

| : .()

[]

UART/ 9600 bps/ 8 data bit / No parity / 1 stop bit / Density low /

Use/ Low / 5 minutes Bluetooth /57600 bps/7 data bit/Odd parity/2 stop bit/

Density high// No use / Medium 1/ No use ,

U 가 5 .

® 가 1 가 1 ..

® 2 가 3 , 가

Bluetooth .

U 1 , 가 2 , 가 1 .

® 3 , 가 4 ,

가 **57600 bps** .

U 1 가 3 , 가 2 .

® 1 , **가 1** ,

가 **7 data bit** .

U 1 , 가 4 , 가 1 .

® 1 , 가 2 ,

가 **Odd parity** .

U 1 , 가 5 , 가 1 .

® 1 , 가 2 , 가

2 stop bit .

U 1 , 가 6 , 가 1 .

® 2 , 가 3 , 가

Density high .

U 1 , 가 7 , 가 2 .

® 1 , 가 1 , 가

No use .

U 1 , 가 8 , 가 1 .
® 1 , 가 2 , 가
Medium 1 .
U 1 , 가 9 , 가 6 .
® 1 , 가 1 ,
No use .

Bluetooth/57600 bps/7 data bit/ Odd parity/ 2 stop bit/ Density high
/ No use / Medium 1/ No use

* M16C , ARM (NEW) IrDA Version

MODE	POWER Lamp (Green)	ERROR Lamp (Red)	Option
Communication Port	1	1	UART
		2	Protocol UART
		3	Raw IrDA
		4	Protocol IrDA
		5	Standard IrDA
Baud Rate	2	1	9600 bps
		2	19200 bps
		3	38400 bps
		4	57600 bps
		5	115200 bps
Data Bit	3	1	7 Data bit
		2	8 Data bit
Parity	4	1	No Parity
		2	Odd Parity
		3	Even Parity
Stop bit	5	1	1 stop bit
		2	2 stop bit
Density	6	1	Density Low
		2	Density Medium
		3	Density High
Mark	7	1	No use
		2	Use
Sensor	8	1	Low
		2	Medium1
		3	Medium2
		4	High

(Continue...)

	POWER Lamp (Green)	ERROR Lamp (Red)	Option
Power Down	9	1	No use
		2	1 minute
		3	2 minute
		4	3 minute
		5	4 minute
		6	5 minute

< Table 4 >

* M16C , ARM (NEW) Version

MODE	POWER Lamp (Green)	ERROR Lamp (Red)	Option
Communication Port	1	1	UART
		2	Protocol UART
		3	Bluetooth
		4	Protocol Bluetooth
Baud Rate	2	1	9600 bps
		2	19200 bps
		3	38400 bps
		4	57600 bps
		5	115200 bps
Data Bit	3	1	7 Data bit
		2	8 Data bit
Parity	4	1	No Parity
		2	Odd Parity
		3	Even Parity
Stop bit	5	1	1 stop bit
		2	2 stop bit
Density	6	1	Density Low
		2	Density Medium
		3	Density High
Mark	7	1	No use
		2	Use
Sensor	8	1	Low
		2	Medium1
		3	Medium2
		4	High

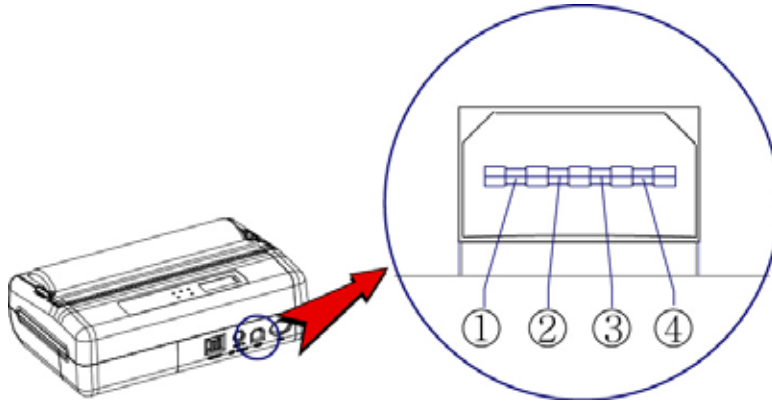
(Continue...)

	POWER Lamp (Green)	ERROR Lamp (Red)	Option
Power Down	9	1	No use
		2	1 minute
		3	2 minute
		4	3 minute
		5	4 minute
		6	5 minute

< Table 5 >

3.

3.1. UART(RS-232C or TTL) or USB



PORTI-W40 UART(RS-232 or TTL) or USB 가 , 4
 USB . .

UART(RS-232C or TTL)

Pin No.	Name	Direction	Description
1	TxD	Output	Transmit Data
2	RxD	Input	Receive Data
3	CTX	-	-
4	GND	-	Ground

USB

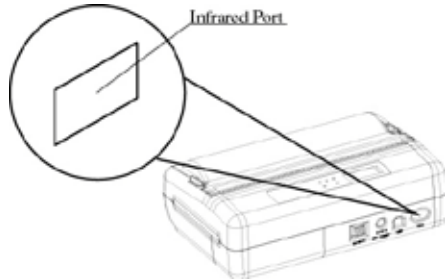
Pin No.	Name
1	VCC
2	DATA “-“
3	DATA “+”
4	Ground

<CN7 : CM-722>

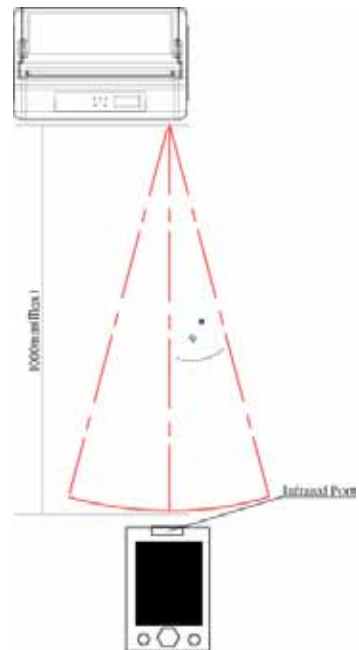
* Applicable connector : SUNG KYUNG (CM-720)

3.2. IrDA

PORTI-W40



- 1) IR 가 PDA 가
- 2) PDA 50cm 15°

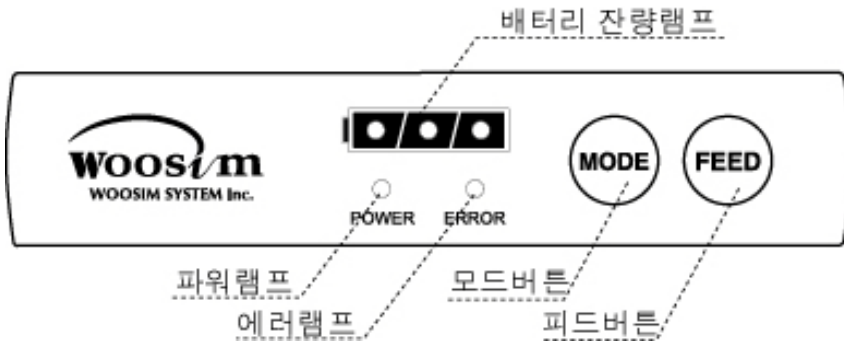


3.3.

	Bluetooth Ver2.1 + EDR / Class2 (10m)
	2.4GHz ISM BAND
	57600bps Fixed.
	8 Data bit Fixed.
	No parity Fixed.
	1 Stop bit Fixed.

4.

4.1.



u

-

:

-

:

(2.5.)

:

UART (RS-232C or TTL)

u

-

:

-

:

가 , 가 ,

-

:

가

4.2.

가

1.

2.

3.

4.

5.

가

5.

5.1.

:
: 113mm
: $60 \pm 5 \mu\text{m}$
: $\text{Ø}38$
:



1. 가

2.

3. 70

4.

5.2.

