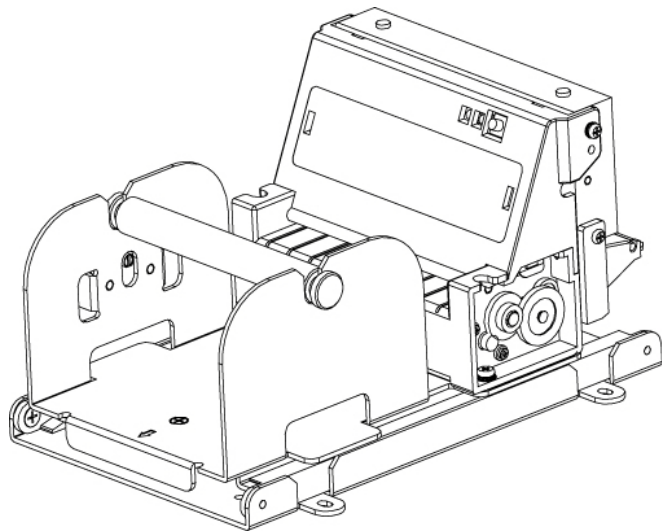


PORTI-T380

(Kiosk&Ticket)

Rev. 2.0



가 448 ,

3 501

: +82-2-2107-3700

: +82-2-2107-3707

<http://www.woosim.com>

|
|
PORTI-T380 Kiosk & Ticket
Copyright ©2008

|
|



|
|

가

|
|

1
150mm/sec high-speed
3
ATM, kiosks

- u
- u (150mm/sec, MAX)
- u (203dpi : 8dots/mm)
- u UART(RS-232C or TTL)
- u ,
- u
- u
- u 가
- u - ,
- u Microsoft Windows 98/ME/2000/XP/VISTA/7
- u : (XON/XOFF)
- u



I

U

•

•

: -10°C ~ 50°C

: 10% ~ 90%

•

•

•

•

IrDA

•

•

•

U

•

•

•

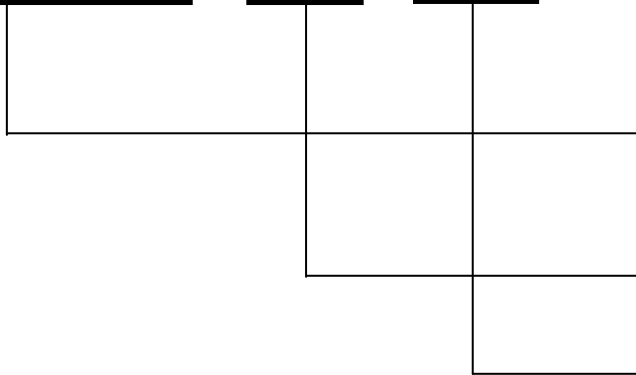
•

1.	6
1.1.	6
1.2	Part Number	6
1.3.	7
2.	8
2.1.	8
2.2.	9
2.3.	10
2.4.	11
2.5.	13
2.5.1.	13
2.5.2.	13
2.6.	().....	14
3.	15
3.1.	UART(RS-232C or TTL).....	15
4	16
4.1.	16
4.2.	16
5.	17
5.1.	17
5.2	17

1.

1.1.

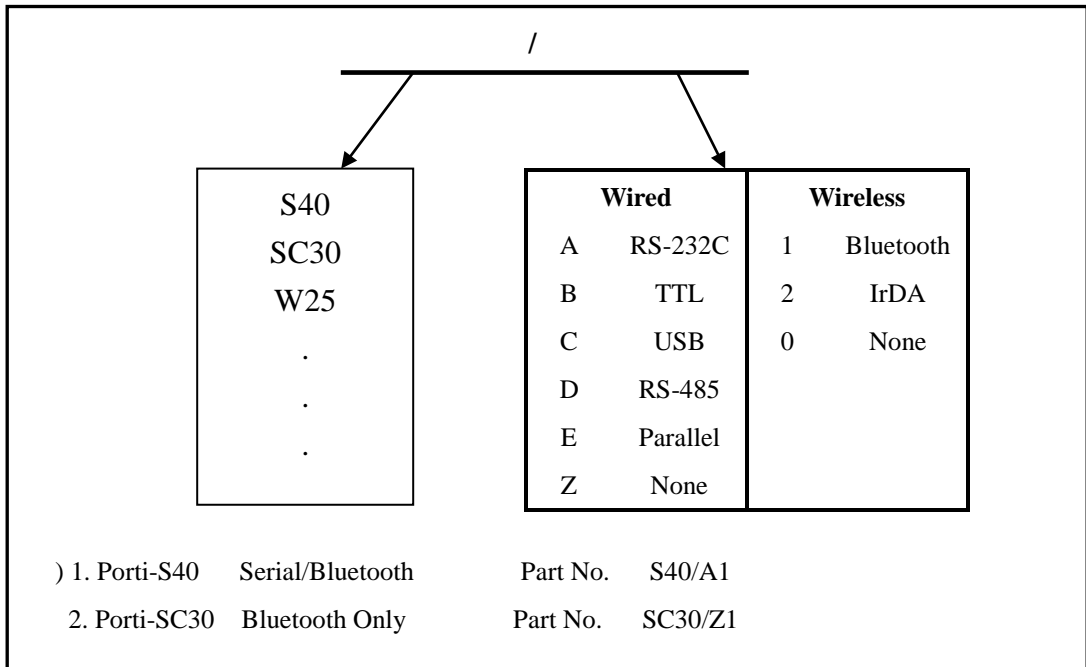
PORTI-T380 () ()



None: UART

None : DC 24V

1.2 Part Number



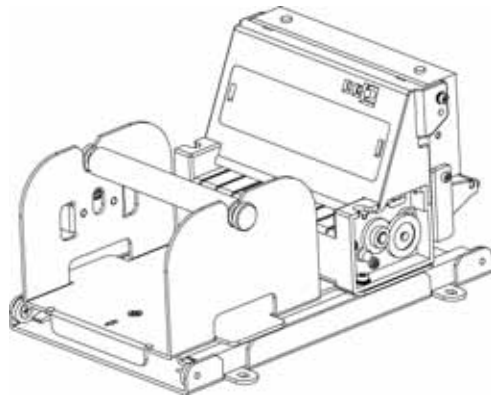
1.3.

64cpl (MAX)		
: 9*24dots, 12*24dots : 16*24dots, [24*24dots]		
Simplified/Traditional Chinese, Arabic, Cyrillic, Russian, Turkish, Greek, Japanese, Persian, Latin9 and Others upon request.		
203dpi, 8dots/mm		
3-inch (72mm, 576dots)		
150mm / sec (MAX)		
169 * 88.2 * 101mm		
970g ()		
UART(RS-232C or TTL) []		
(80mm, 80ø)		
1-dimension : Code128, Code39, I2/5, Code93 UPC, EAN, KAN, JAN, CODABAR 2-dimension : PDF417, QR Code, DATA Matrix		
MCU : 32bits RISC, FLASH : 4M bytes, RAM : 8M bytes		
1M bytes		
Sliding mount assembly		
24VDC, Stand by 60mA and Max 3A		
		-10°C ~ 50°C ()
		-10°C ~ 70°C ()
		30% - 80% ()
		10% - 90% ()
MCBF (Mean Cycle Between failure)	Mechanical	37,000,000 lines
	Head	50 Km

< Table 1 >

2.

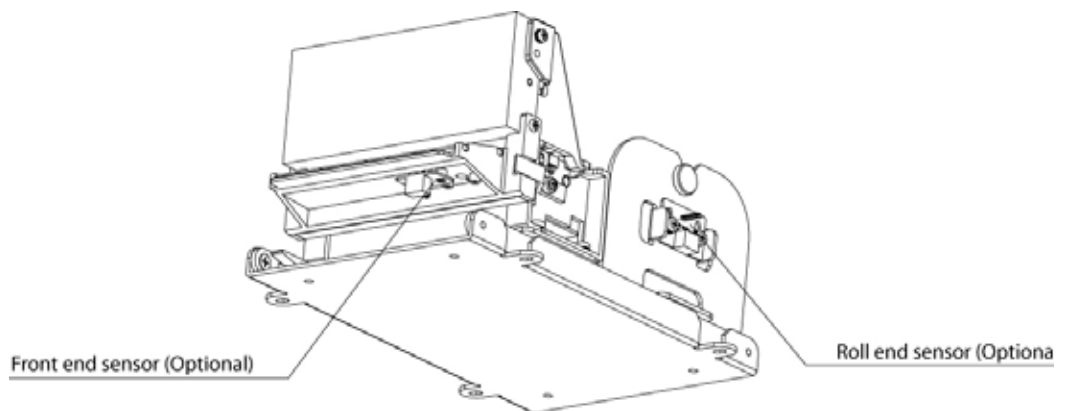
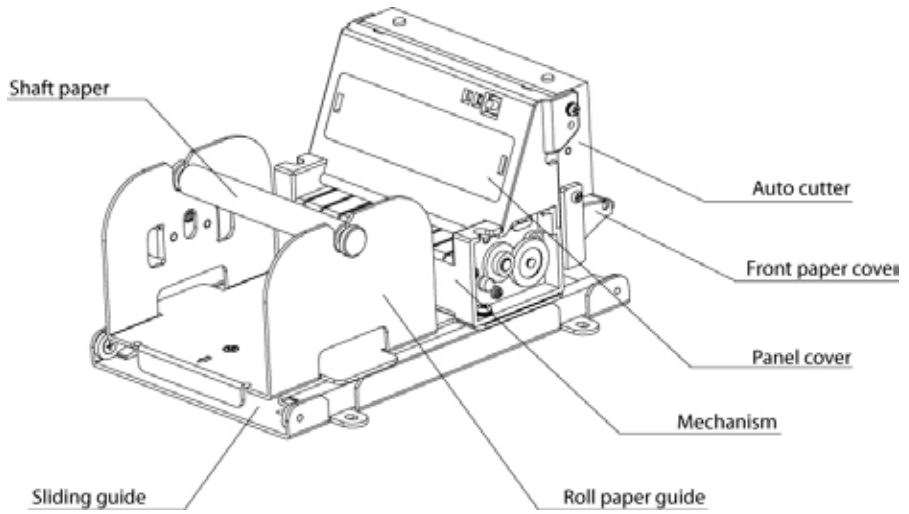
2.1.



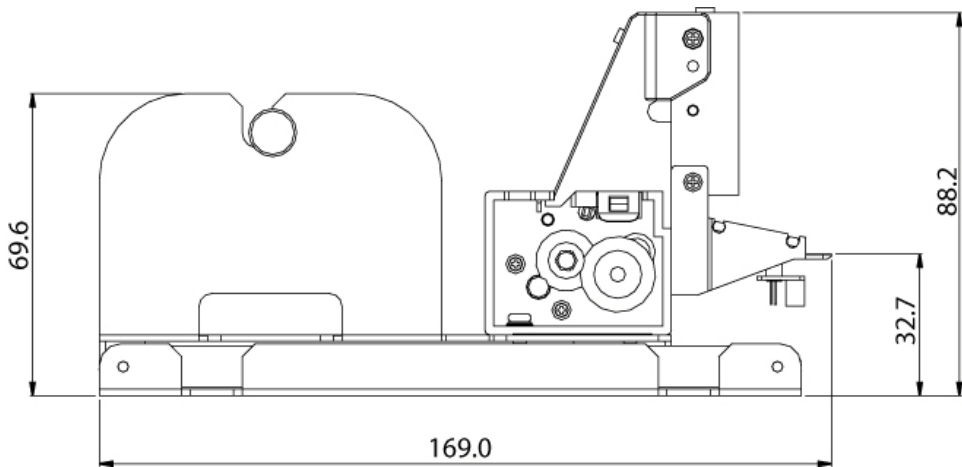
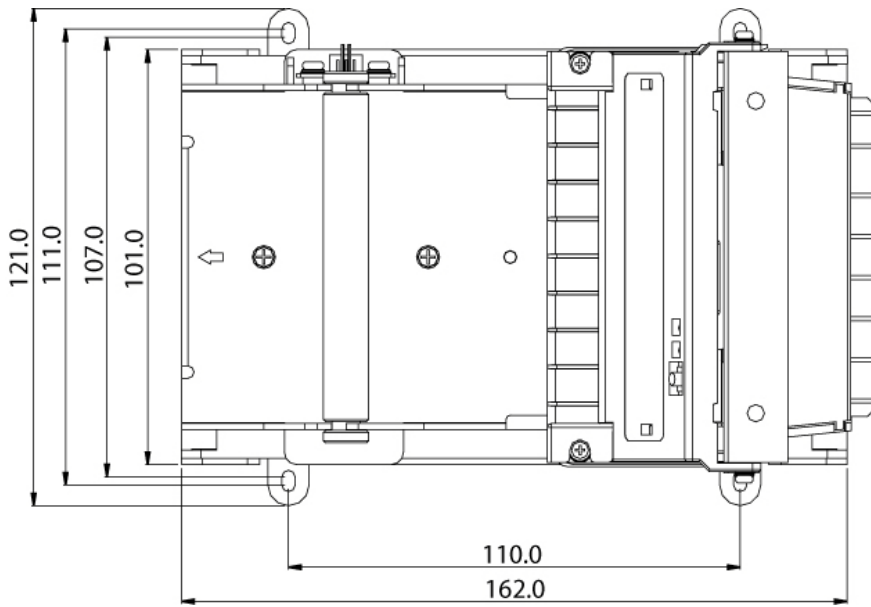
PORTI-T380



2.2.



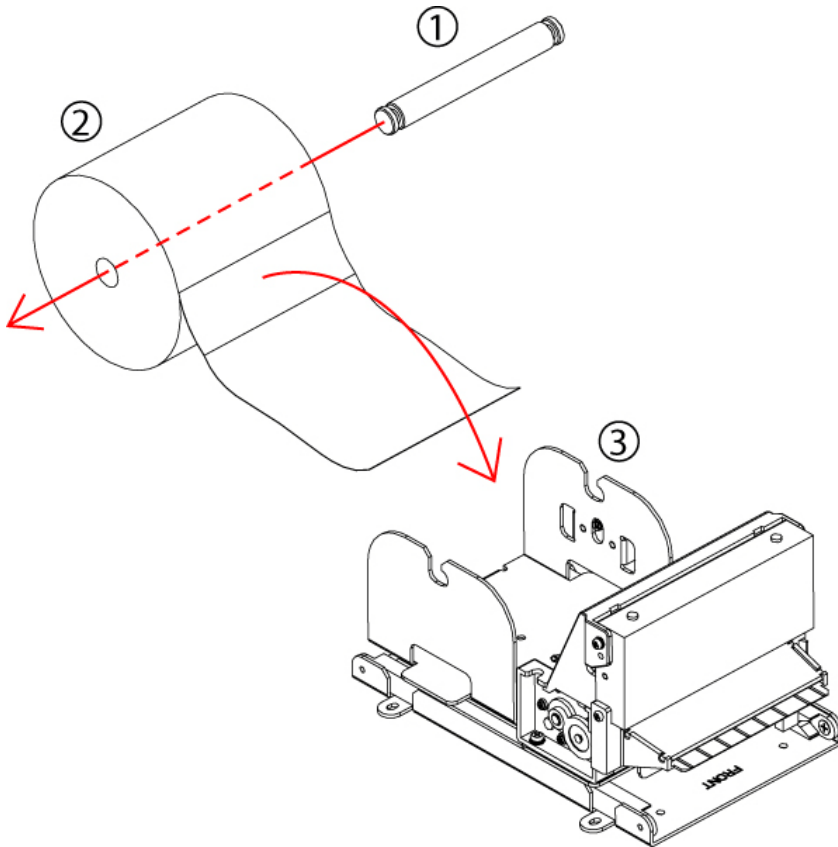
2.3.



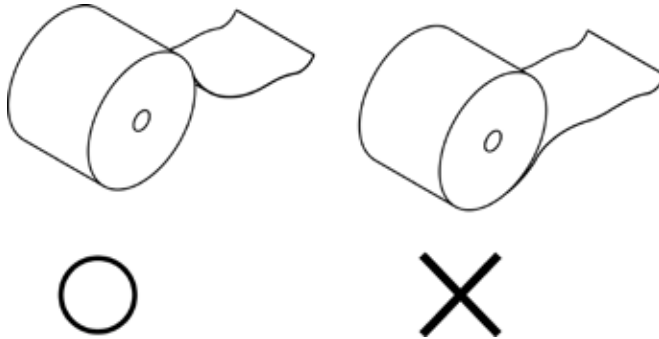
2.4.

: ,
(가 ,
.)

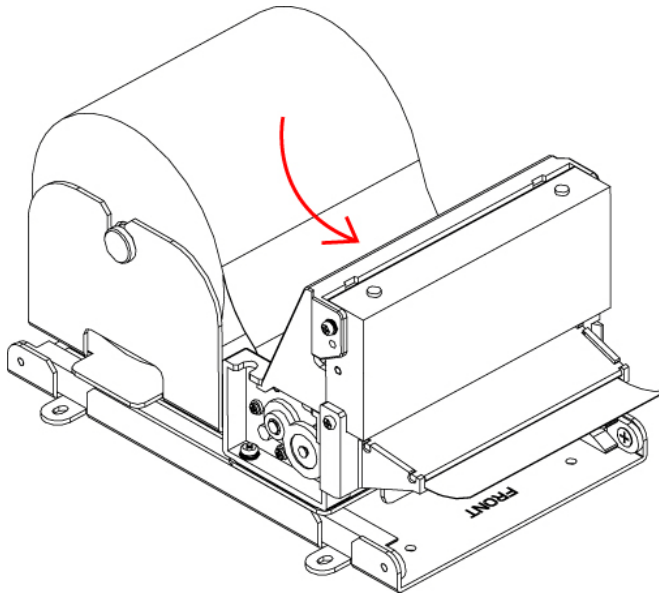
1. 가 . 가
가 .
2. , .
3. , .



5,



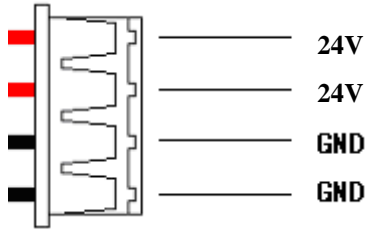
6,



2.5.

2.5.1.

PORTI-T380



51004-0400 :

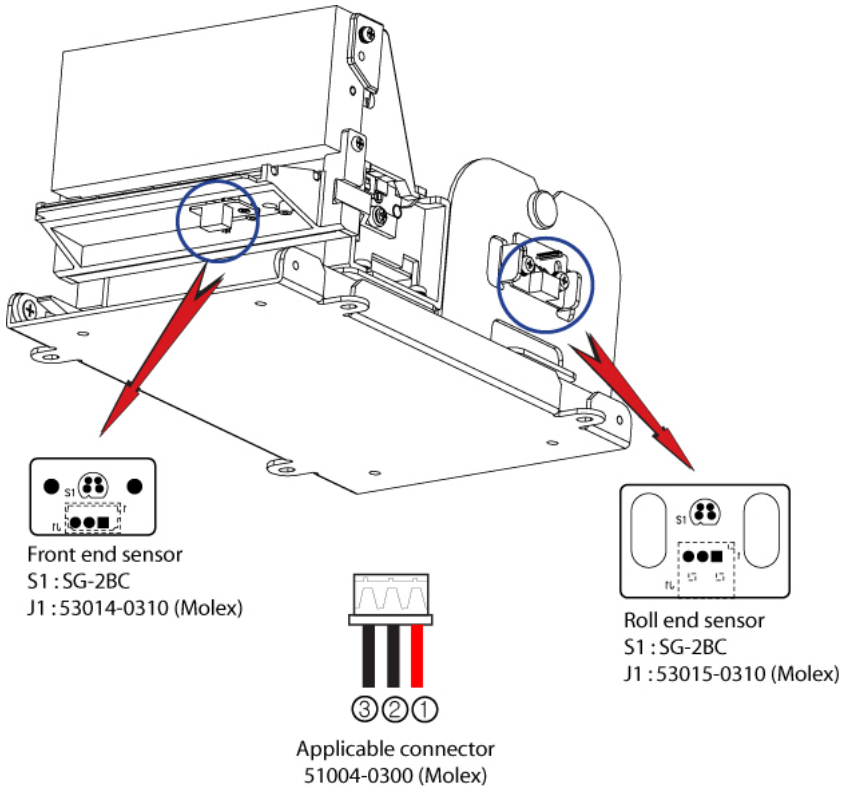


Applicable connector : MOLEX 53014-0410 or equivalent.

2.5.2.

: DC 24V / Max 3A

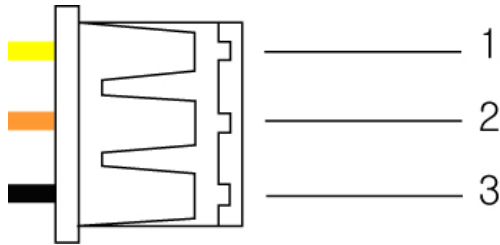
2.6. ()



1	VCC	Anode
2	Signal	Collector
3	GND	Emitter

3.

3.1. UART(RS-232C or TTL)



Porti-T380 UART(RS-232C or TTL) 가 , 3 .

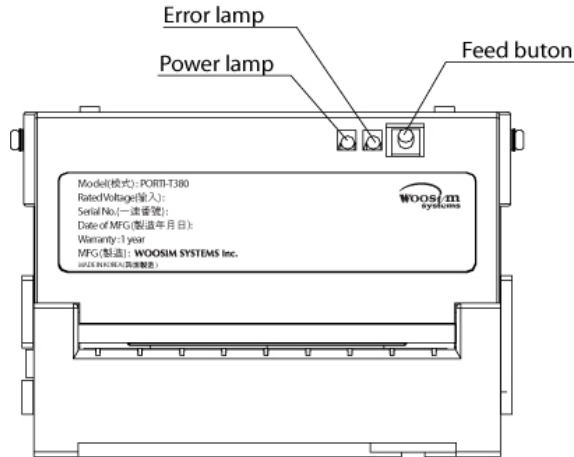
Pin No	Name	Direction	Function
1	TxD	Output	Transmit Data
2	RxD	Input	Receive Data
3	GND	-	Ground

<Molex : 51004-0300 >

Applicable connector : MOLEX 53014-0310 or equivalent.

4

4.1.



U

- :

U

- :

- : 가 , 가 ,

4.2.

1.

2.

3.

4.


5.

가

5.

5.1.

- :
- : 80mm
- : $60 \pm 5 \mu\text{m}$
- : $\text{Ø}80\text{mm}$ or
- : $\text{Ø}12\text{mm}$
- :

 1. 가

2. ,

3. 70 , ,

4. .

5.2

