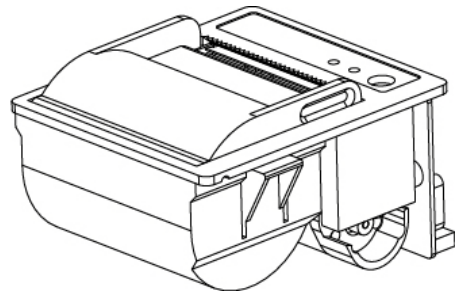
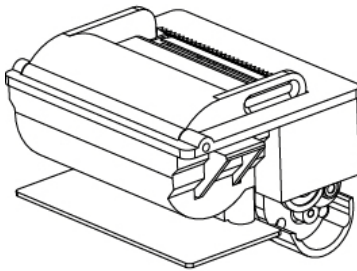


PORTI-SP

(1)

Rev. 2.0



가 448 ,

3 501

: +82-2-2107-3700

: +82-2-2107-3707

<http://www.woosim.com>

||
PORTI-SP20/30 1
Copyright 2010



||
가

||

!

- u
- u (50mm/sec, MAX)
- u (203dpi : 8dots/mm)
- u UART(RS-232C or TTL)
- u
- u LED
- u 가
- u -
- u Microsoft Windows XP / VISTA / 7 / CE / Linux / Android
- u : (XON/XOFF)

I

U

: -10°C ~ 50°C

: 10% ~ 90%

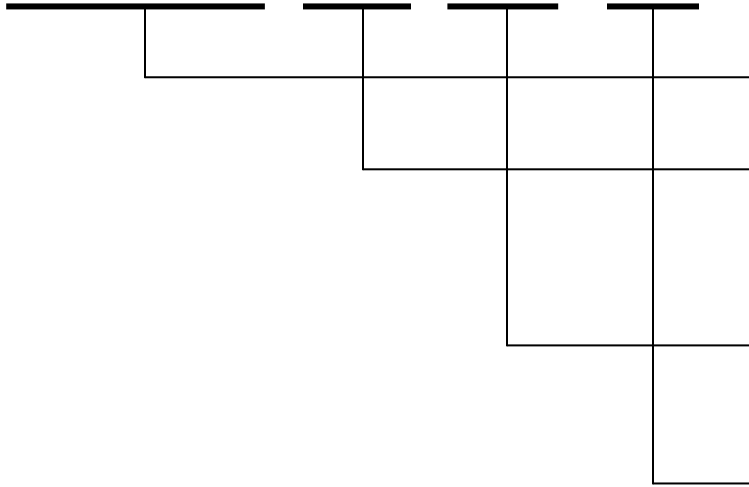
U

- 1.6
- 1.1.6
- 1.2 Part Number6
- 1.2.7
- 2.8
- 2.1.8
- 2.2.9
 - 2.2.1. Porti-SP209
 - 2.2.2. Porti-SP309
- 2.3.10
 - 2.3.1. Porti-SP2010
 - 2.3.1. Porti-SP3011
- 2.4.12
- 2.5.13
- 3.14
- 3.1.14
- 4.15
- 4.1.15
- 4.2.15
- 5.16
- 5.1.16
- 5.2.16

1.

1.1.

PORTI-SP () () ()



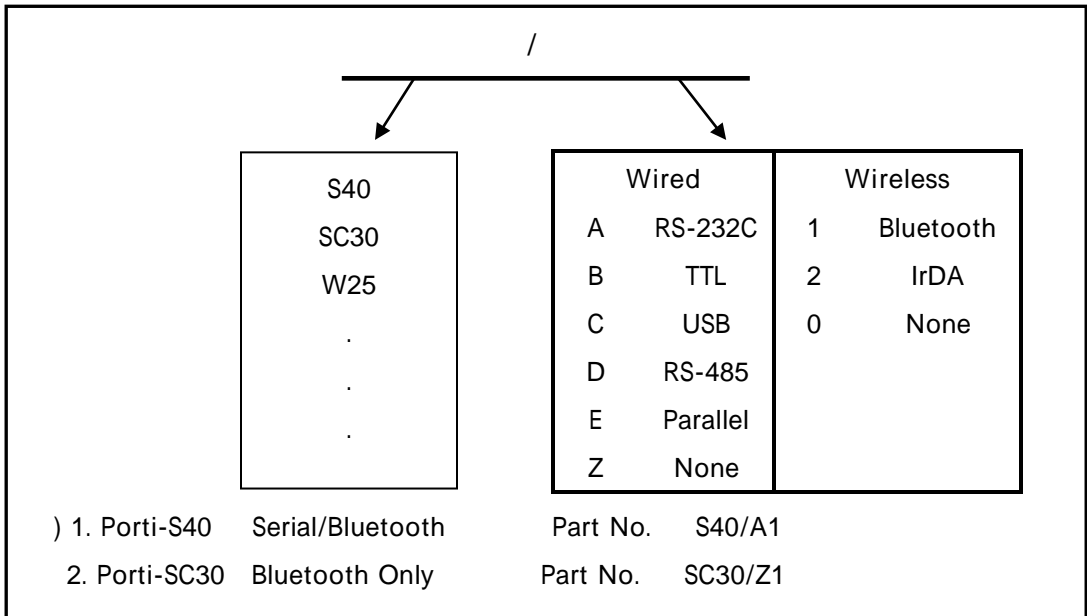
20: 37mm , 20Ø

30: 37mm , 30Ø

A0 : UART

None : DC 5V

1.2 Part Number

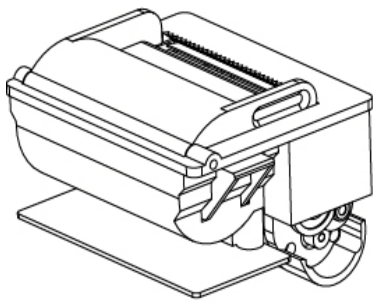


1.2.

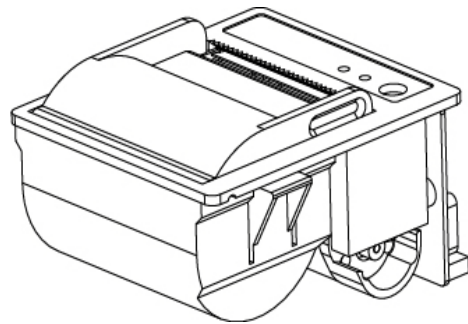
		24cpl (MAX)
		8 * 16dots, 9 * 24dots
		Simplified/Traditional Chinese, Arabic, Cyrillic, Russian, Turkish, Greek, Japanese, Persian, Latin9 and Others upon request.
		203dpi, 8dots/mm
		1-inch (24mm, 192dots)
		50mm/sec (MAX)
		SP20 : 53 * 44.2 * 24.4 mm SP20 : 53 * 62 * 33.8 mm
		SP20 : 47g () SP30 : 51.5g ()
		UART(RS-232C or TTL)
		(37mm: 20ø, 30ø)
	1	: Code128, Code39, I2/5, Code93 UPC, EAN, KAN, JAN, CODABAR
	2	: PDF417, QR Code, DATA Matrix
		Microsoft Widows XP / VISTA / 7 Windows CE, Linux, Android
		10K bytes
		5VDC, Standby 60mA and Max 2.5A
		-10°C ~ 50°C () -10°C ~ 70°C ()
		30% - 80% () 10% - 90% ()
MCBF (Mean Cycle Between failure)	Mechanical	37,000,000 lines
	Head	50 Km

2.

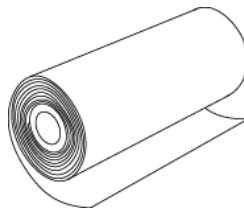
2.1.



PORTI-SP20

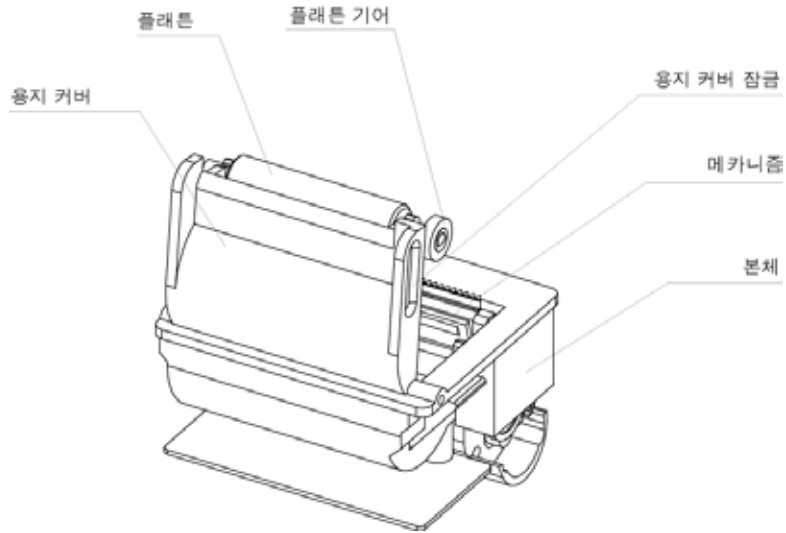


PORTI-SP30

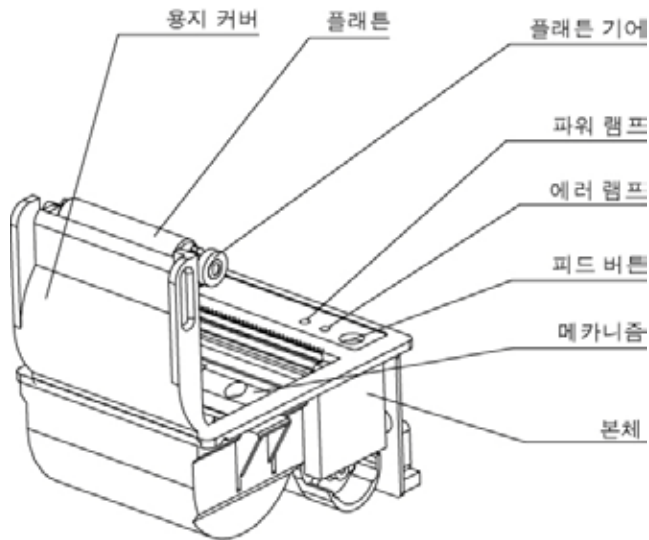


2.2.

2.2.1. Porti-SP20

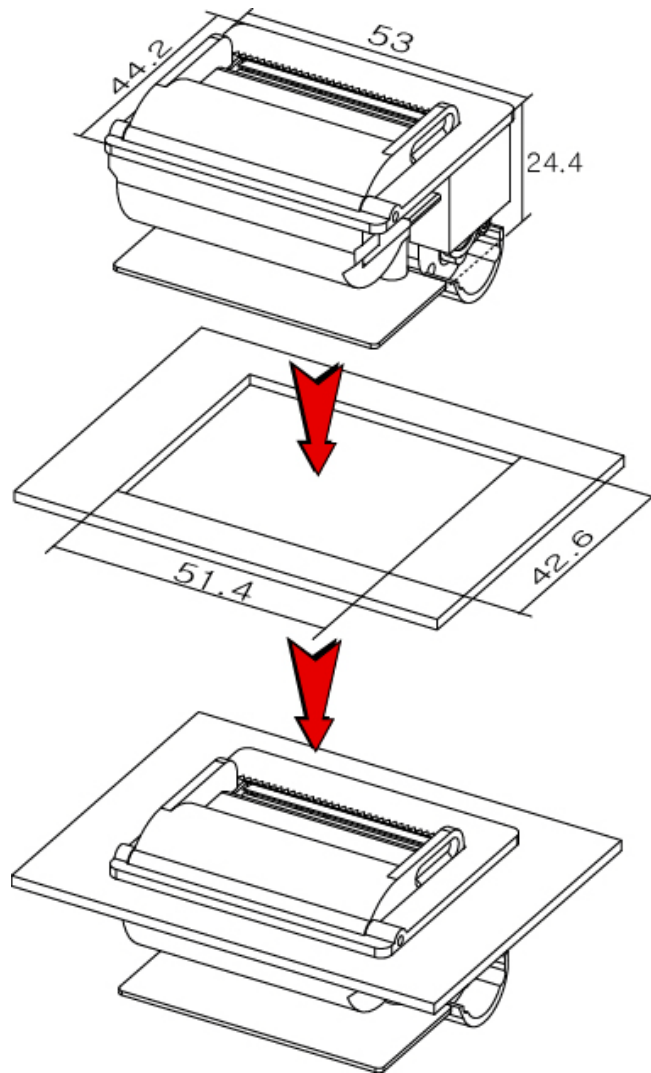


2.2.2. Porti-SP30

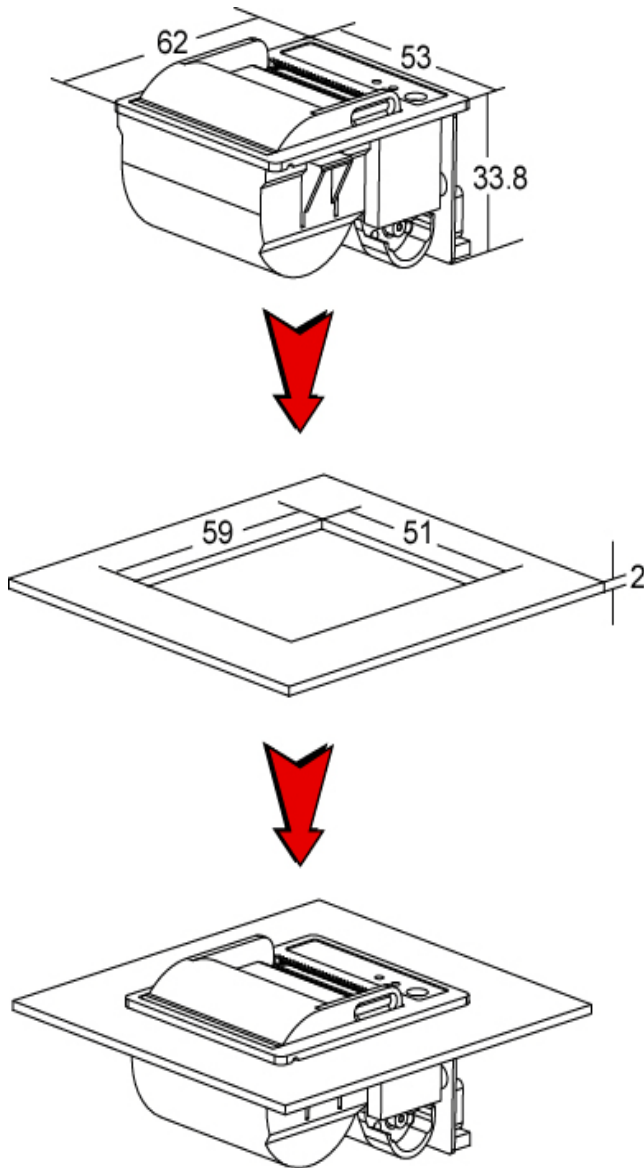


2.3.

2.3.1. Porti-SP20



2.3.1. Porti-SP30

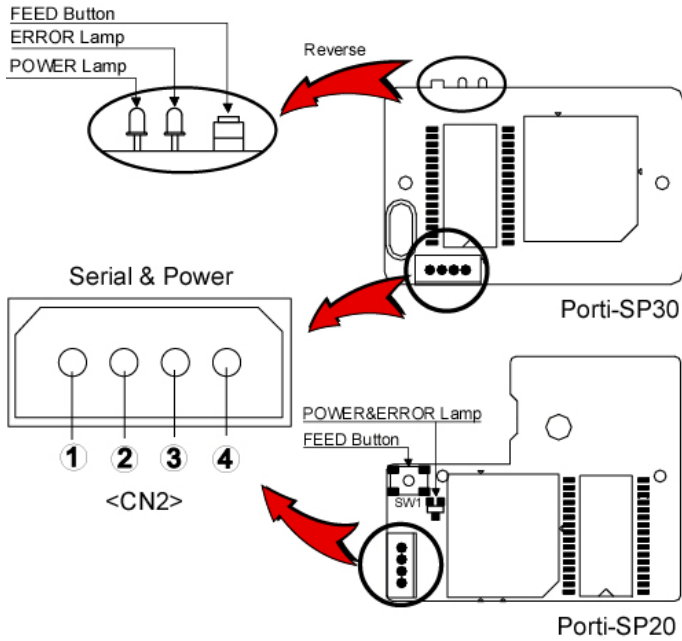


2.5.

: DC5V / Max 2.5A

3.

3.1.



Porti-SP UART(RS-232 or TTL) 가 4

1	INPUT	-	5VDC/2.5A
2	TxD		Transmit Data
3	RxD		Receive Data
4	GND	-	Ground

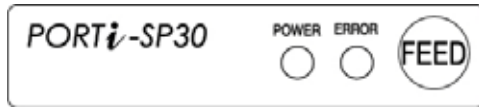
<CN2 : MOLEX (53014-0410)>

Applicable connector : MOLEX 51004-0410 or equivalent.



4.

4.1.



u

-

:

u

-

:

-

:

가

가

4.2.

1.

2.

3.

4.

5.

(

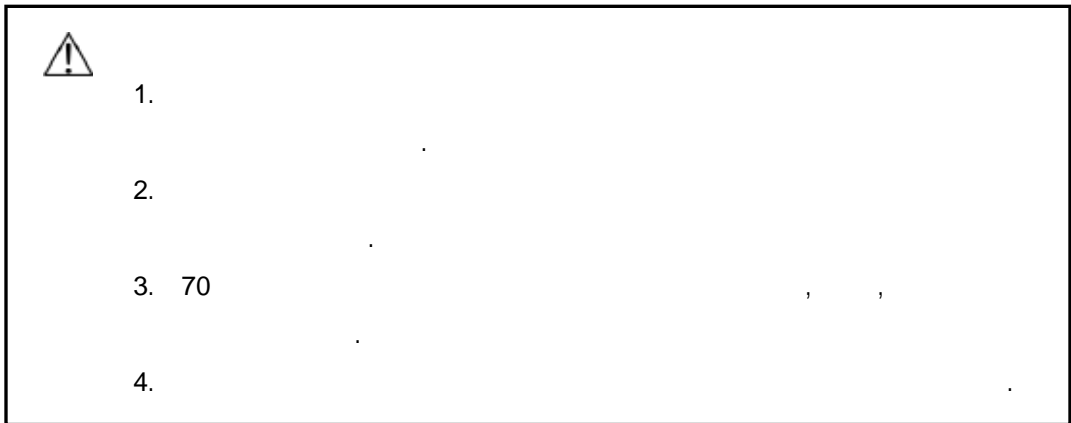
)

가

5.

5.1.

- :
- : 37mm
- : $60 \pm 5 \mu\text{m}$
- : $\text{Ø}20\text{mm}(\text{SP}20)$ or $\text{Ø}30\text{mm}(\text{SP}30)$
- :



5.2.

