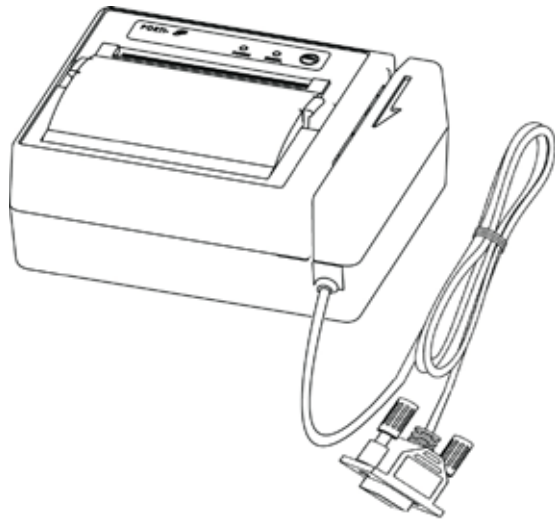


PORTI-PC40

(2)

Rev. 2.0



가 448 ,

3 501

: +82-2-2107-3700

: +82-2-2107-3707

<http://www.woosim.com>

|

PORTI-PC40 2

Copyright 2010

|



|

가

|

!

가

- u (105 x 80.4 x 45.7mm)
- u (286g)
- u
- u (50mm/sec, MAX)
- u (203dpi : 8dots/mm)
- u UART(RS-232C or TTL)
- u MSR(Magnetic Stripe Reader,)
- u ,
- u CLAMSHELL
- u 가
- u - ,
- u Microsoft Windows XP / VISTA / 7 / CE / Linux / Android
- u : (XON/XOFF)

I

U

: -10°C ~ 50°C
: 10% to 90%

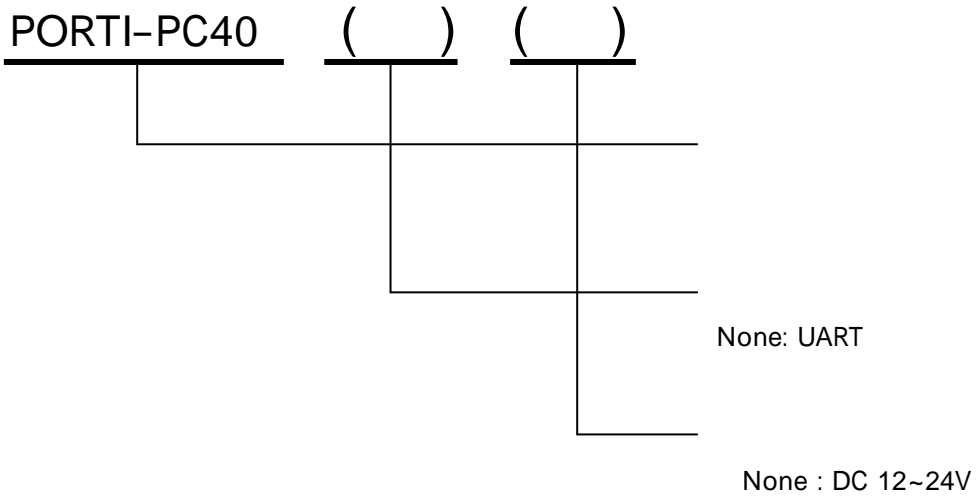
IrDA

U

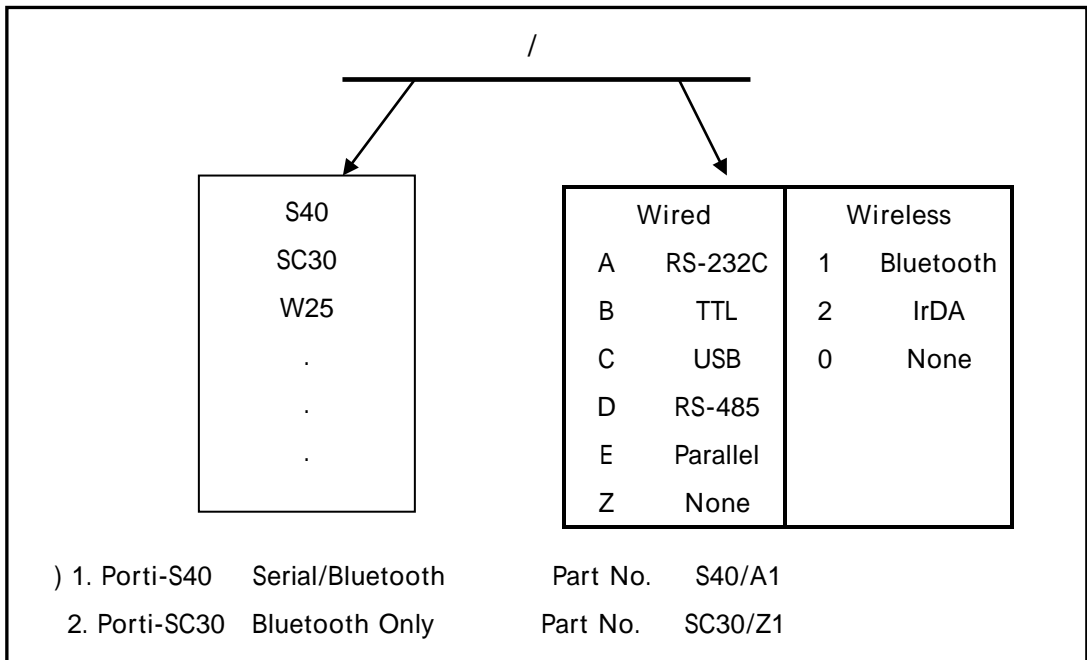
1.	6
1.1.	6
1.2	Part Number	6
1.3.	7
2.	8
2.1.	8
2.2.	9
2.3.	10
2.4.	11
2.5.	12
3.	13
4.	15
4.1.	15
4.2.	15
5.	16
5.1.	16
5.2.	16

1.

1.1.



1.2 Part Number

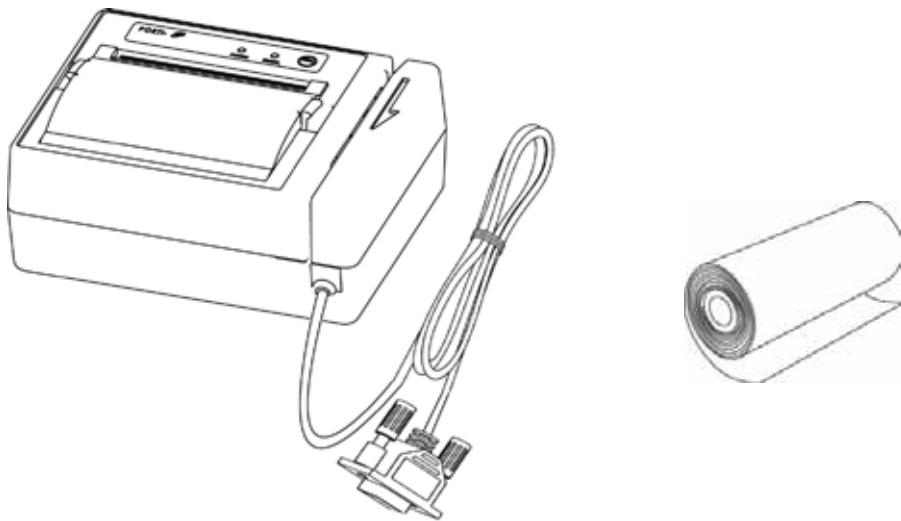


1.3.

		42cpl (MAX)
		: 9*24dots, 12*24dots : 16*24dots, [24*24dots]
		Simplified/Traditional Chinese, Arabic, Cyrillic, Russian, Turkish, Greek, Japanese, Persian, Latin9 and Others upon request.
		203dpi, 8dots/mm
		2-inch (48mm, 384dots)
		50mm/sec (MAX)
		105 x 80.4 x 45.7 mm
		286g ()
		UART(RS-232C or TTL)
		Thermal roll paper (57mm wide, 40ø)
		1-dimension : Code128, Code39, I2/5, Code93 UPC, EAN, KAN, JAN, CODABAR 2-dimension : PDF417, QR Code, DATA Matrix
		Microsoft Widows XP / VISTA / 7 Windows CE, Linux, Android OS driver compatible
		10K bytes
		12~24V DC, Standby 60mA and Max 3A
MSR		ISO 7810 / 7811 / 7812 1&2 or 2&3 Track Reading
		-10°C ~ 50°C () -10°C ~ 70°C ()
		30% - 80% () 10% - 90% ()
MCBF (Mean Cycle Between failure)	Mechanical	37,000,000 lines
	Head	Approximately 50 Km

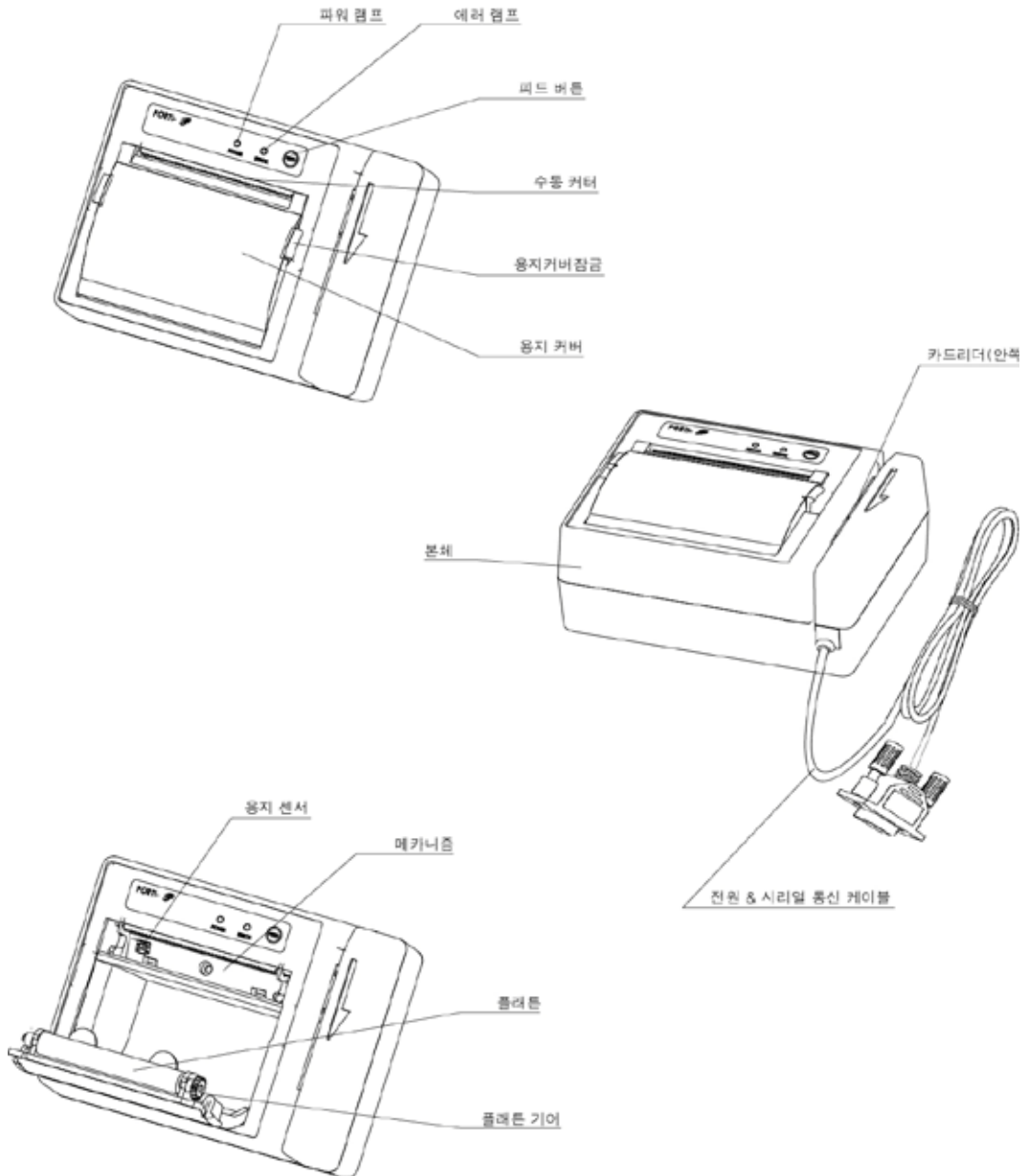
2.

2.1.

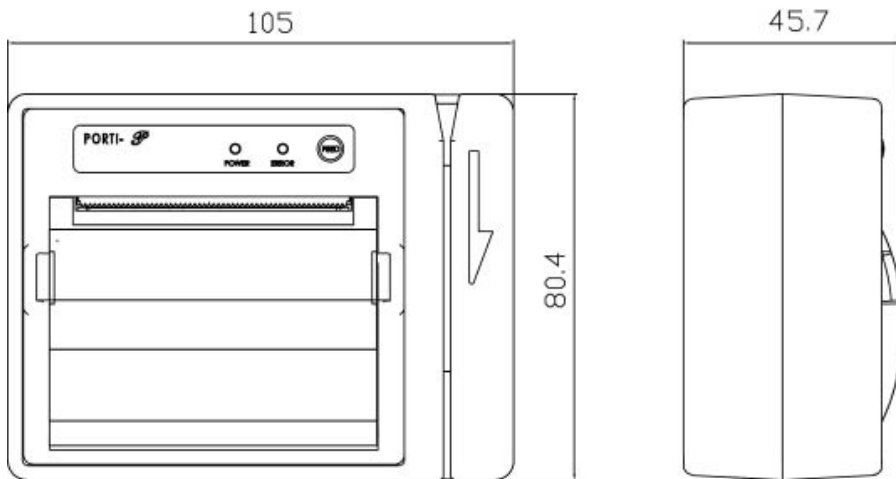
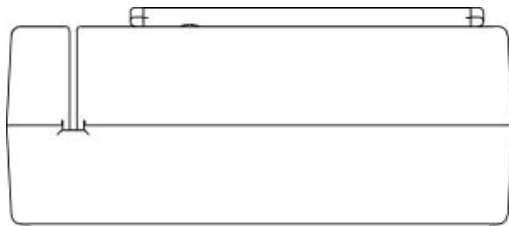


PORTI-PC40

2.2.



2.3.

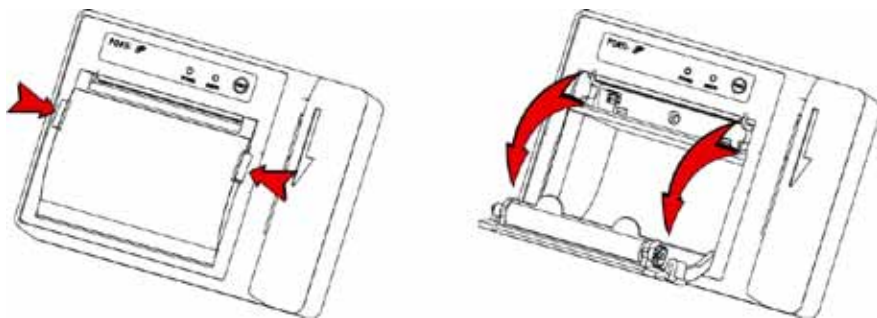


2.4.

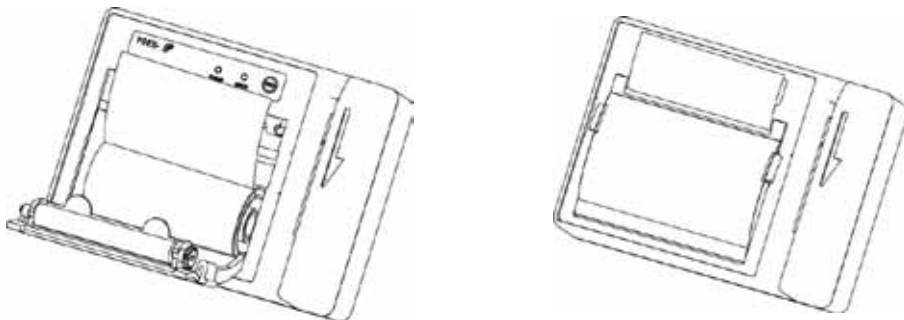
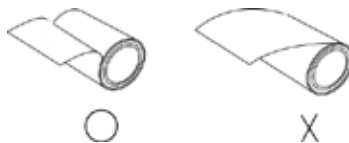
: ,
(가 ,
.)

1. 가 가

- 2.



- 3.

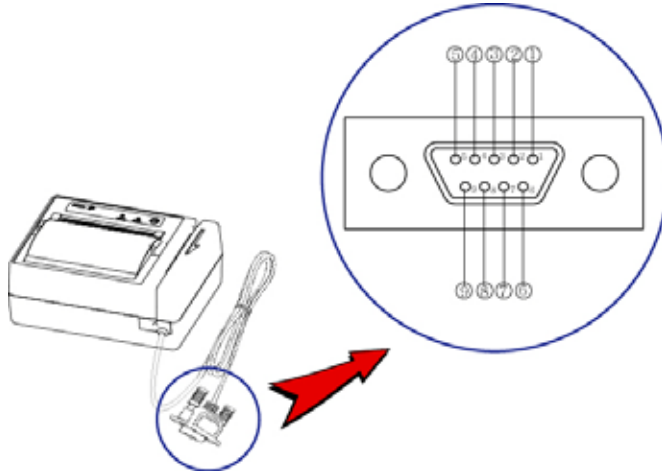


2.5.

VPP : DC 12-24V / Max 3A

3.

テ



Porti-PC40

UART(RS-232C or TTL)

가 9

Pin No.	Name	Direction	Function
1	-	-	-
2	TxD	Output	Transmit Data
3	RxD	Input	Receive Data
4	-	-	-
5	GND	-	Ground
6	-	-	-
7	-	-	-
8	-	-	-
9	VPP	-	12V~24V/3A

<D-Sub 9p Female >

RS-232C Technical Specifications

DATA TRANSFER RATE : 9600 Baud

WORD LENGTH : 8 Data Bits

1 Stop Bit

SIGNAL LEVELS : Mark or Logical 1 = -3 to -15 VDC

Space or Logical 0 = +3 to +15VDC

HANDSHAKING : XON / XOFF

4.

4.1.



U

- :

U

- :

- :

가 , 가 , ,

4.2.

가 .

1.

2.

3.

4.

5.

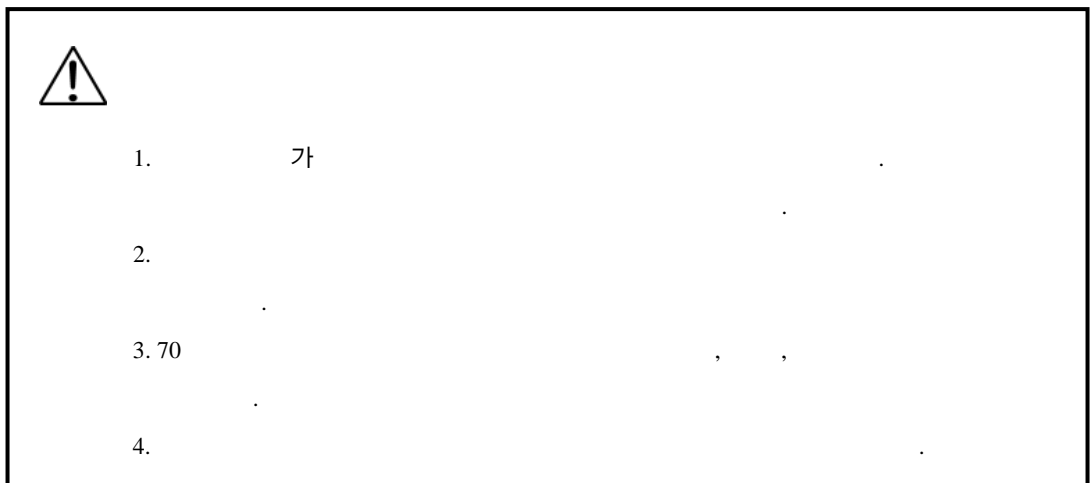
() .

가

5.

5.1.

- :
- : 57mm
- : $60 \pm 5 \mu\text{m}$
- : $\text{Ø}40\text{mm}$
- :



5.2.

