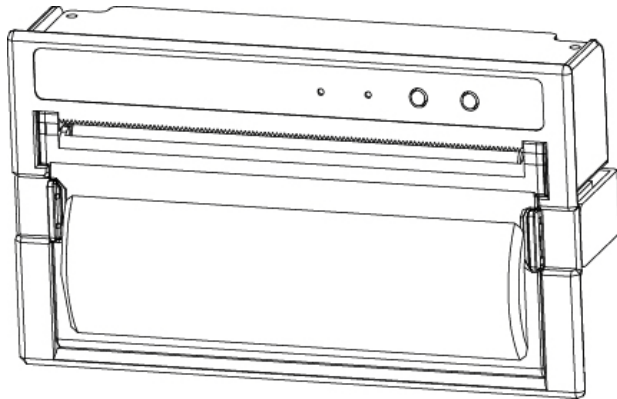


# Operator's Manual

## PORTI-P440

(4 )

Rev. 3.0



가 448 ,

3 501

: +82-2-2107-3700

: +82-2-2107-3707

<http://www.woosim.com>

┆  
PORTI-P440 4  
Copyright 2010



┆  
가

┆

!

- u
- u (40mm/sec, MAX)
- u (203dpi : 8dots/mm)
- u UART(RS-232C or TTL)
- u
- u , LED
- u 가
- u - ,
- u Microsoft Windows XP / VISTA / 7 / CE / Linux / Android
- u : (XON/XOFF)

I

U

: -10°C to 50°C

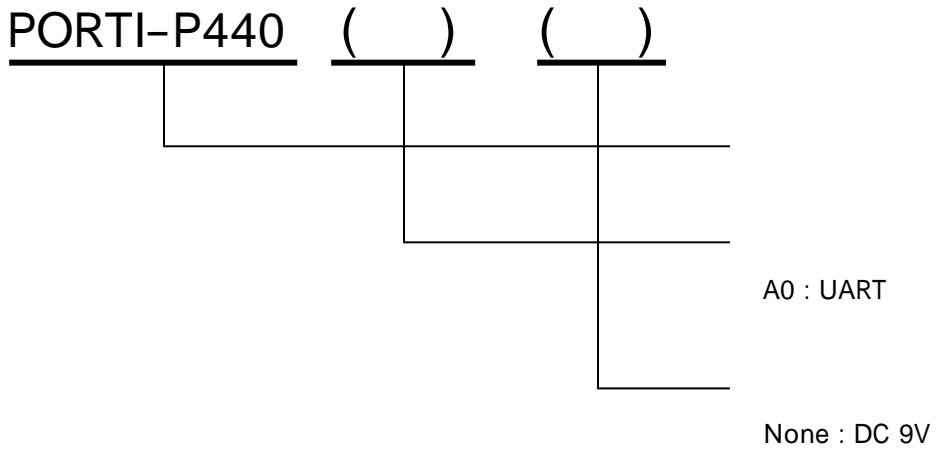
: 30% to 80%

U

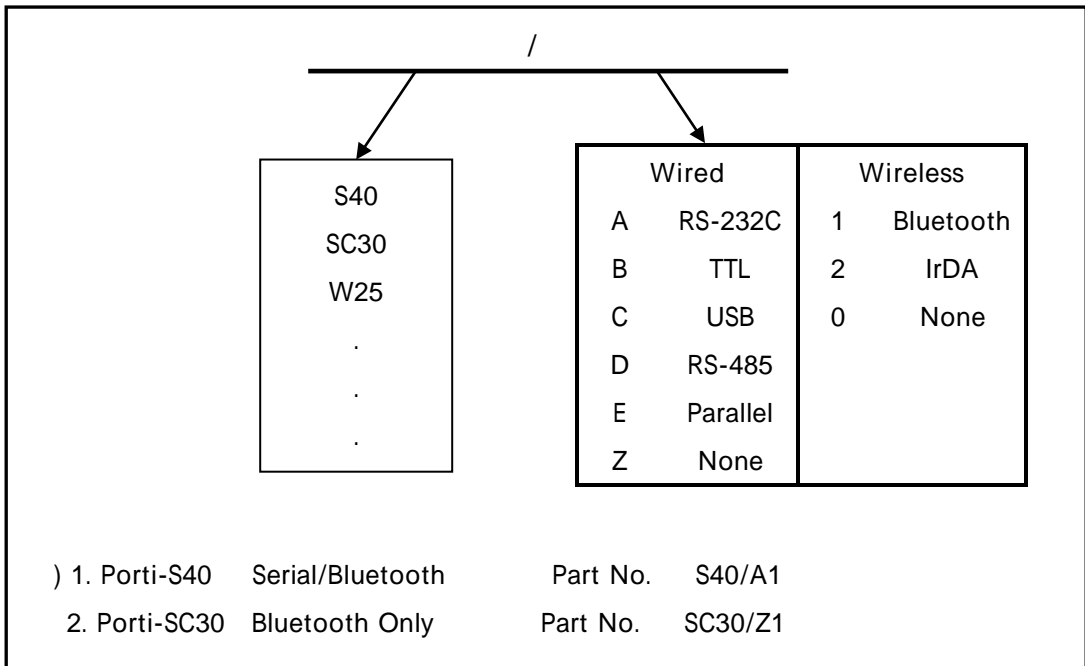
1.	.....	<b>6</b>
1.1.	.....	6
1.2.	Part Number .....	6
1.3.	.....	7
2.	.....	<b>8</b>
2.1.	.....	8
2.2.	.....	9
2.3.	.....	10
2.4.	.....	11
2.5.	.....	12
2.6.	.....	15
3.	.....	<b>16</b>
3.1.	UART ( RS-232C or TTL ).....	16
4.	.....	<b>17</b>
4.1.	.....	17
4.2.	.....	17
5.	.....	<b>18</b>
5.1.	.....	18
5.1.	.....	18

1.

1.1.



1.2. Part Number

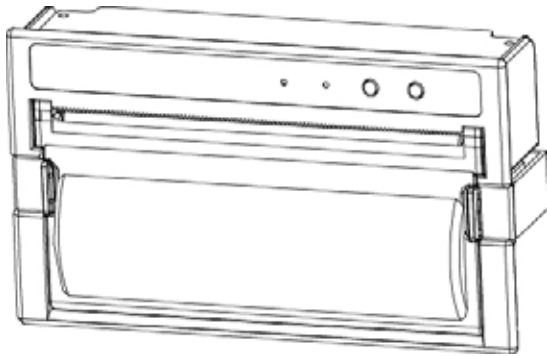


1.3.

		92cpl (MAX)
		: 9×24dots, 12×24dots : 16×24dots, [24×24dots]
		Simplified/Traditional Chinese, Arabic, Cyrillic, Russian, Turkish, Greek, Japanese, Persian, Latin9 and Others upon request.
		203dpi, 8dots/mm
		4 (104mm, 832dots)
		40mm/sec (MAX)
		143 * 77.7 * 46.7mm
		340g ( )
		UART(RS232C or TTL)
		( 113mm, 38ø)
1		: Code128, Code39, I2/5, Code93, UPC, EAN, KAN, JAN, CODABAR
2		: PDF417, QR Code, DATA Matrix
		Microsoft Widows XP / VISTA / 7 Windows CE, Linux, Android OS driver compatible
		MCU : 32bits RISC, FLASH : 4Mbytes, RAM : 8Mbytes
		1M bytes
		9VDC, Standby 60mA and Max 3A
		-10°C ~50°C ( ) -10°C ~ 70°C ( )
		30% - 80% ( ) 10% - 90% ( )
MCBF (Mean Cycle Between failure)	Mechanical	37,000,000 lines
	Head	Approximately 50 Km

2.

2.1.

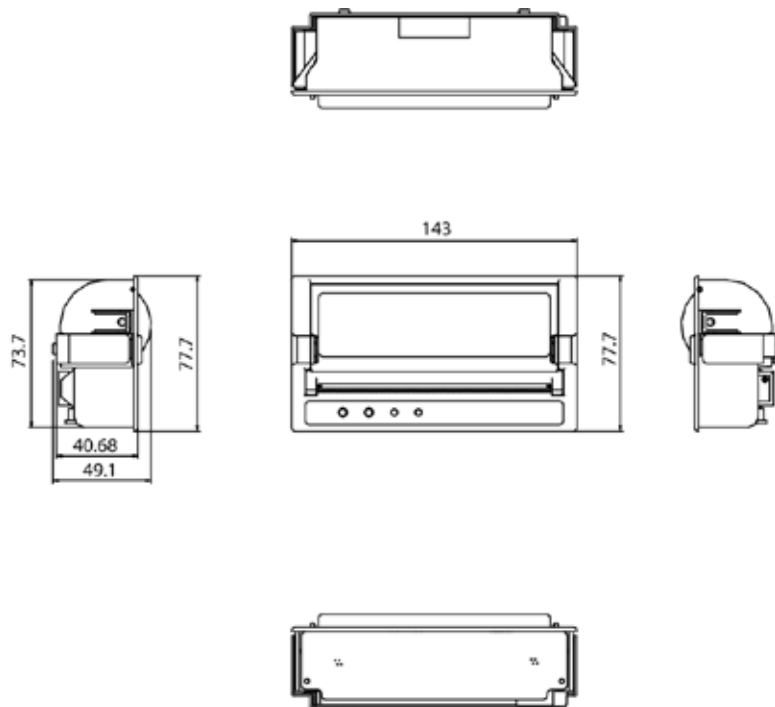
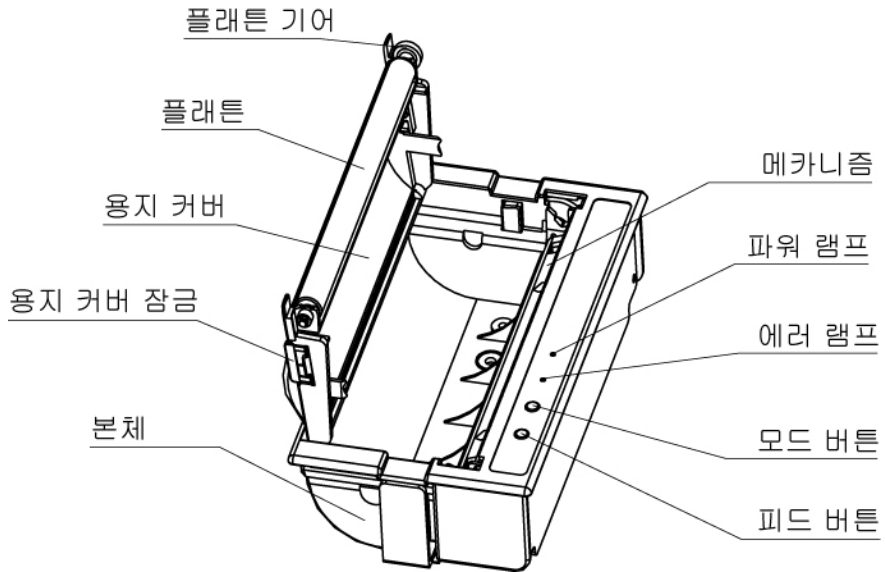


Porti-P440

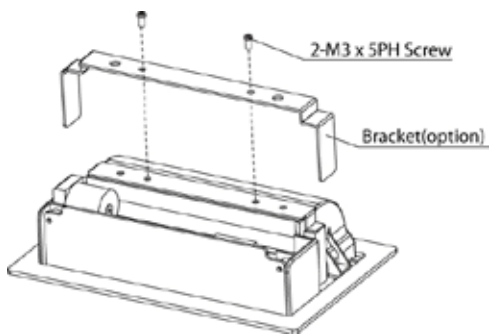
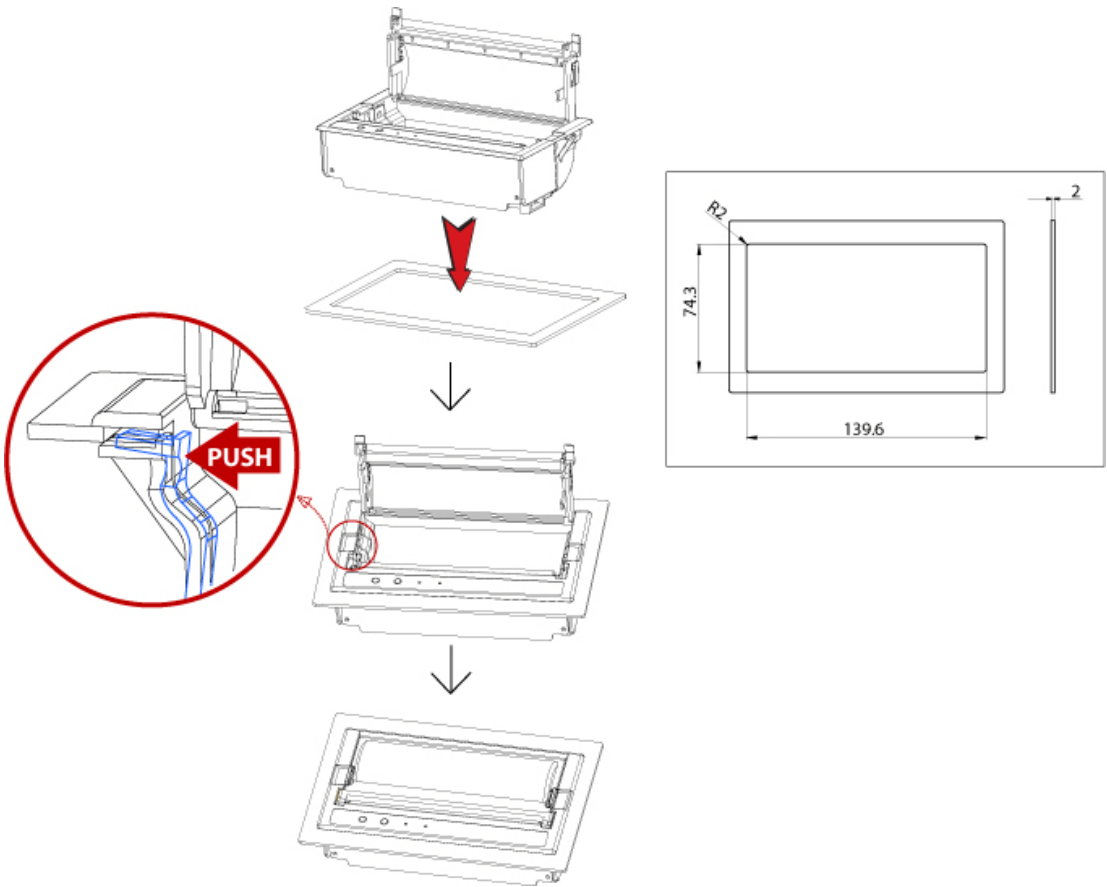


Thermal roll paper

2.2.



2.3.

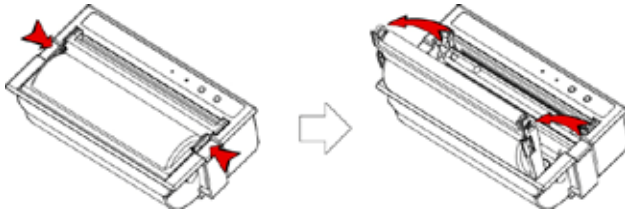


( )

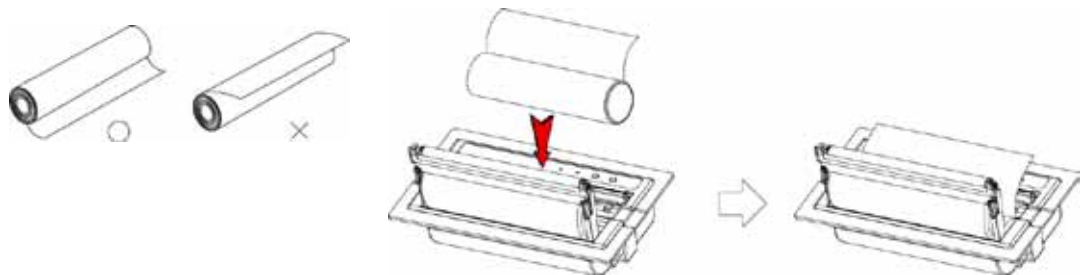
2.4.

이 단계를 완료하면, ( ) 가 ( ) 가 됩니다.

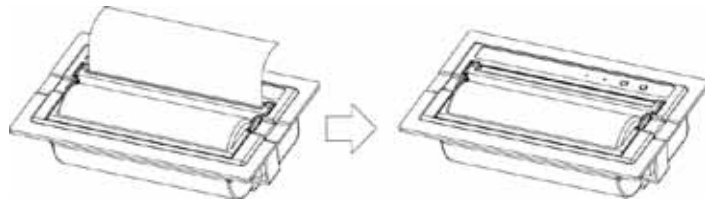
1. 가 ( ) 가
2. 가



- 3.



- 4.



2.5.

| : .( 2 )  
 | : .( )

[ ]

UART/ 9600 bps/ 8 data bit / No parity/ 1 stop bit / Density  
 low / use /Low  
 Protocol UART / 57600 bps / 7 data bit / Odd parity / 2 stop bit /  
 Density high / No use / Medium 1

U 가 5  
 ® 가 1 가 1  
 ® 1 가 2 , 가  
 Protocol UART  
 U 1 , 가 2 , 가 1  
 ® 3 , 가 4 , 가  
 57600 bps  
 U 1 3 , 가 2  
 ® 1 , 가 1 , 가  
 7 data bit  
 U 1 , 가 4 , 가 1  
 ® 1 , 가 2 , 가  
 Odd parity  
 U 1 , 가 5 , 가 1  
 ® 1 , 가 2 , 가  
 2 Stop bit  
 U 1 , 가 6 , 가 1  
 ® 2 , 가 3 , 가  
 Density high

U 1 , 가 7 , 가 2 .  
® 1 , 가 1 , 가  
No use .  
U 1 , 가 8 , 가 1 .  
® 1 , 가 2 , 가  
Medium 1 .

Protocol UART / 57600 bps / 7 data bit / Odd parity / 2 Stop bit /  
Density high / No use / Medium 1

	( )	( )	
Communication Port	1	1	UART(RS-232C)
		2	Protocol UART(RS-232C)
Baud Rate	2	1	9600 bps
		2	19200 bps
		3	38400 bps
		4	57600 bps
		5	115200 bps
Data Bit	3	1	7 Data bit
		2	8 Data bit
Parity	4	1	No Parity
		2	Odd Parity
		3	Even Parity
Stop bit	5	1	1 stop bit
		2	2 stop bit
Density	6	1	Density Low
		2	Density Medium
		3	Density High
Mark	7	1	No use
		2	Use
Sensor	8	1	Low
		2	Medium1
		3	Medium2
		4	High

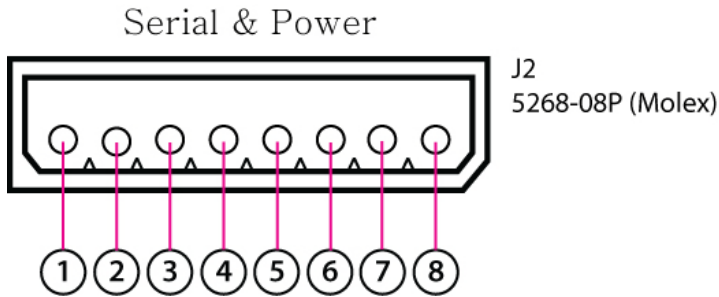
< 2>

2.6.

: DC 9V / Max 3A

### 3.

#### 3.1. UART ( RS-232C or TTL )



Porti-P440    UART(RS-232C    TTL)    가    8

8	INPUT		9VDC/3A
7	INPUT		9VDC/3A
6	TxD	Output	Transmit Data
5	RxD	Input	Receive Data
4	N.C		
3	N.C		
2	GND		Ground
1	GND		Ground

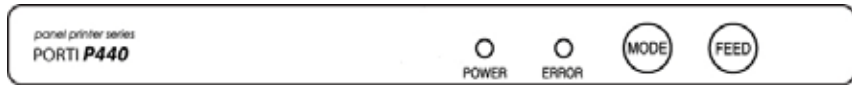
<J2 : MOLEX (5268-08P)>

Applicable connector : MOLEX 5264-08P or equivalent.



# 4.

## 4.1.



U

-

:

-

:

U

-

:

-

:

가

가

## 4.2.

1.

2.

3.

4.

5.

(

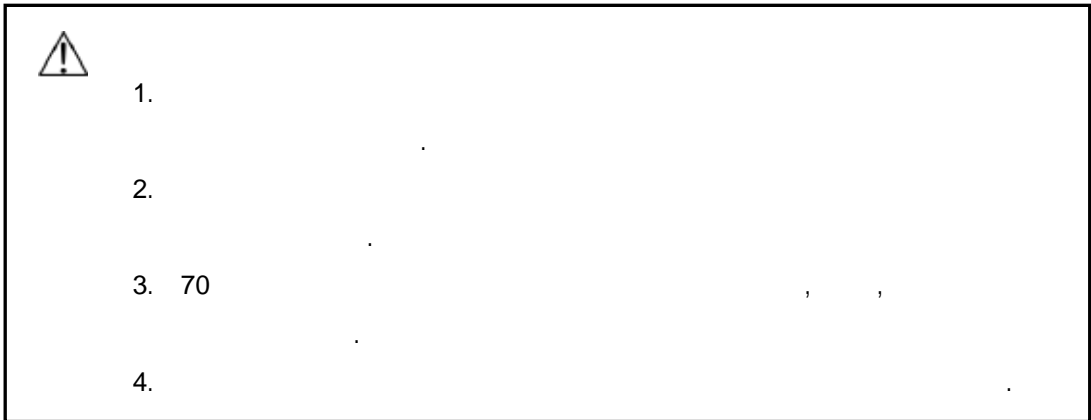
)

가

5.

5.1.

- : 113mm
- :  $60 \pm 5 \mu\text{m}$
- :  $\text{Ø}38\text{mm}$
- :



5.1.

