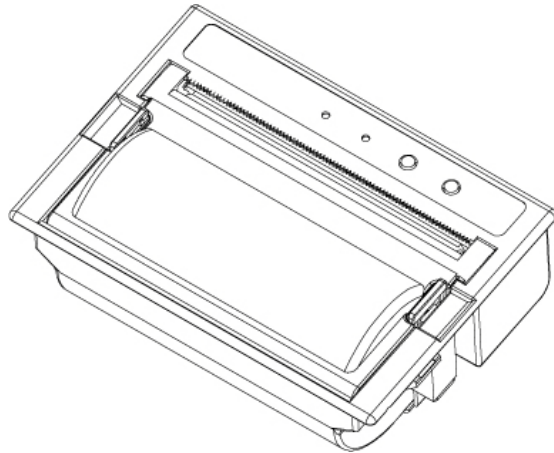


Operator's Manual

PORTI-P340

(3)

Rev. 3.0



가 448 ,

3 501

: +82-2-2107-3700

: +82-2-2107-3707

<http://www.woosim.com>

┆
PORTI-P340 3
Copyright 2010



┆
가

┆

!

- u
- u (40mm/sec, MAX)
- u (203dpi : 8dots/mm)
- u UART(RS-232C or TTL)
- u
- u , LED
- u 가
- u - ,
- u Microsoft Windows XP / VISTA / 7 / CE / Linux / Android
- u : (XON/XOFF)

I

U

: -10°C to 50°C

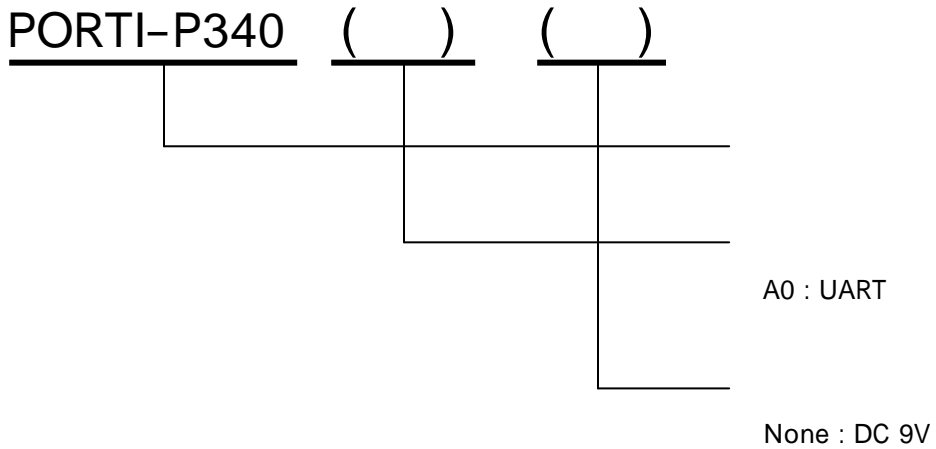
: 30% to 80%

U

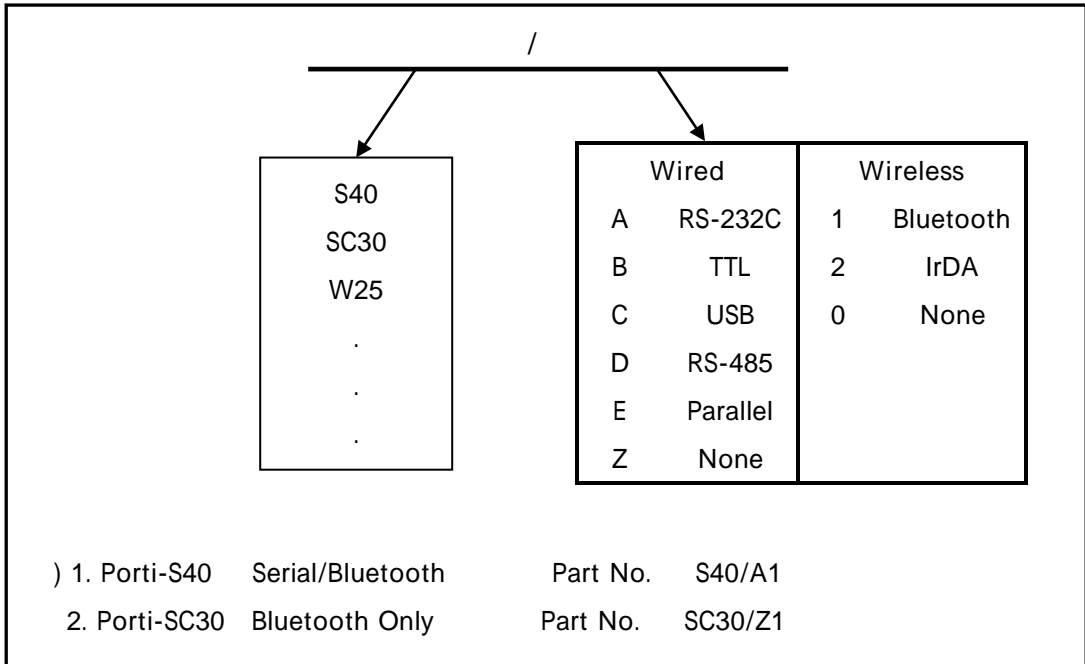
1.	6
1.1.	6
1.2.	Part Number	6
1.3.	7
2.	8
2.1.	8
2.2.	9
2.3.	10
2.4.	11
2.5.	12
2.6.	15
3.	16
3.1.	UART (RS-232C or TTL).....	16
4.	17
4.1.	17
4.2.	17
5.	18
5.1.	18
5.1.	18

1.

1.1.



1.2. Part Number



1.3.

	64cpl (MAX)	
	: 9×24dots, 12×24dots : 16×24dots, [24×24dots]	
	Simplified/Traditional Chinese, Arabic, Cyrillic, Russian, Turkish, Greek, Japanese, Persian, Latin9 and Others upon request.	
	203dpi, 8dots/mm	
	3 (72mm, 576dots)	
	40mm/sec (MAX)	
	⊘ 110 × 77.7 × 49.1 mm	
	300g ()	
	UART(RS232C or TTL)	
	(80mm, 38ø)	
	1 : Code128, Code39, I2/5, Code93, UPC, EAN, KAN, JAN, CODABAR	
	2 : PDF417, QR Code, DATA Matrix	
	Microsoft Widows XP / VISTA / 7 Windows CE, Linux, Android OS driver compatible	
	MCU : 32bits RISC, FLASH : 4Mbytes, RAM : 8Mbytes	
	1M bytes	
	9VDC, Standby 60mA and Max 3A	
		-10°C ~50°C ()
		-10°C ~ 70°C ()
		30% - 80% ()
		10% - 90% ()
MCBF (Mean Cycle Between failure)	Mechanical	37,000,000 lines
	Head	Approximately 50 Km

< 1 >

2.

2.1.

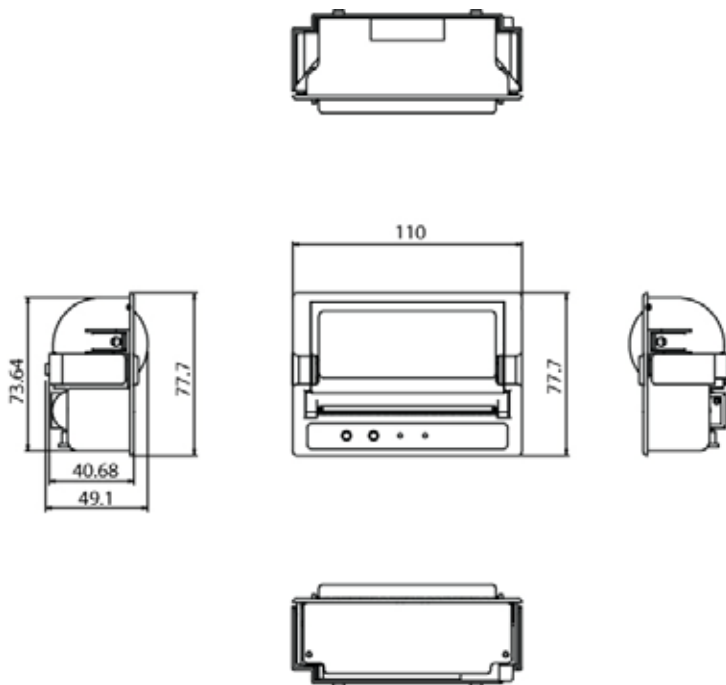
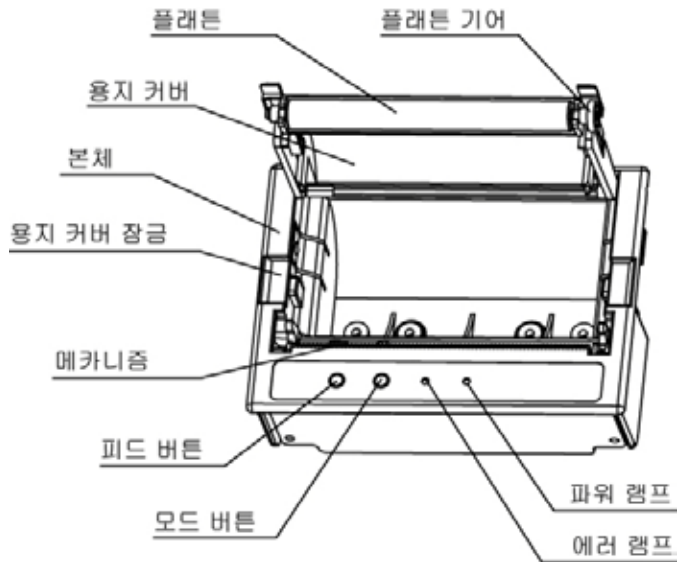


Porti-P340

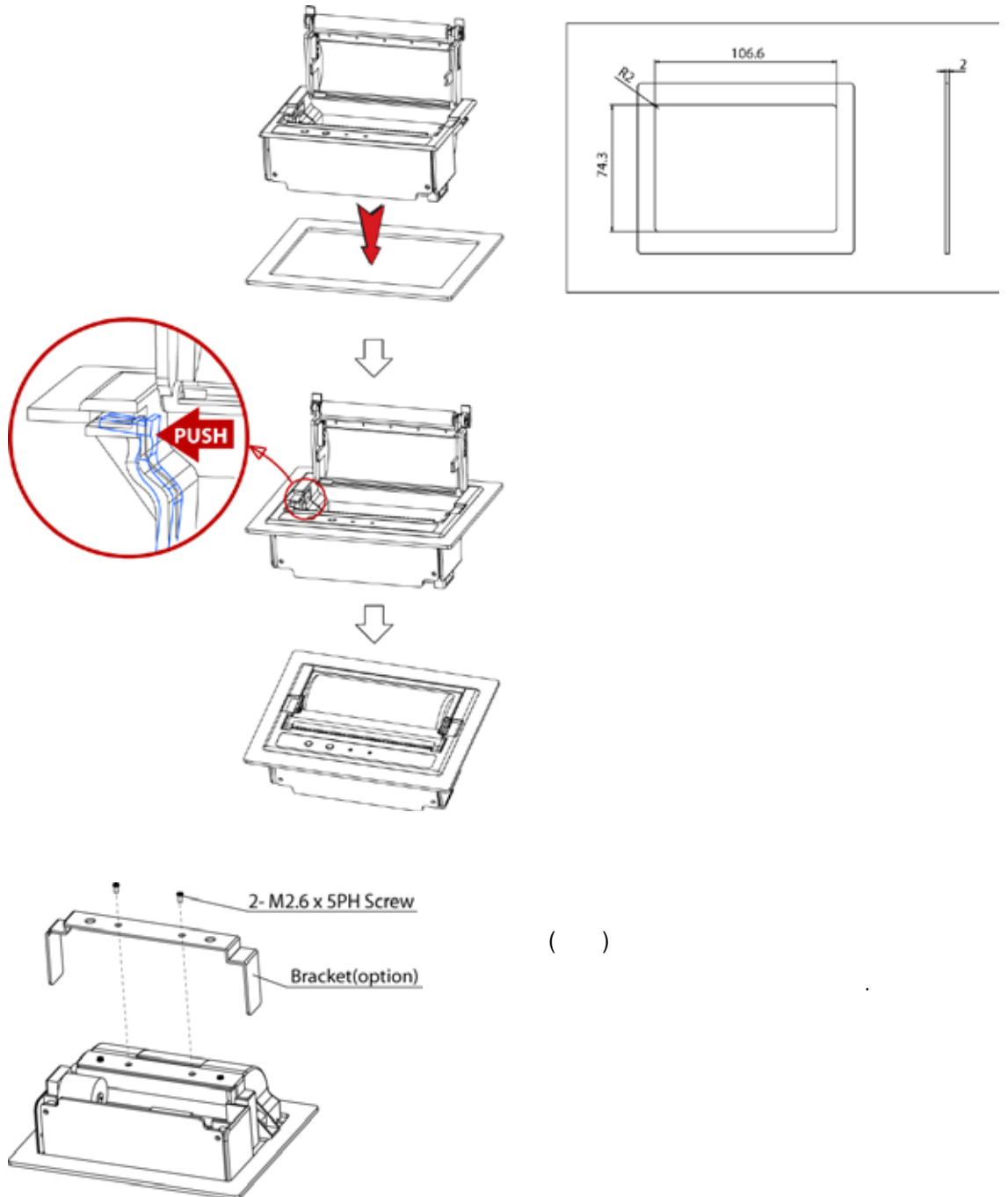


Thermal roll paper

2.2.



2.3.



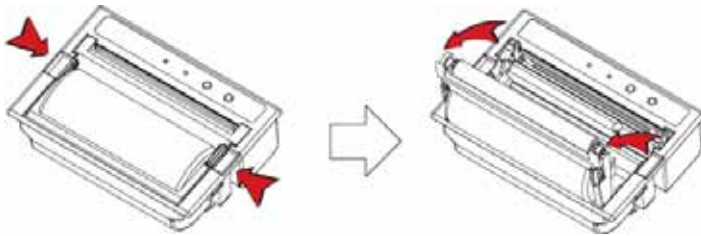
()

2.4.

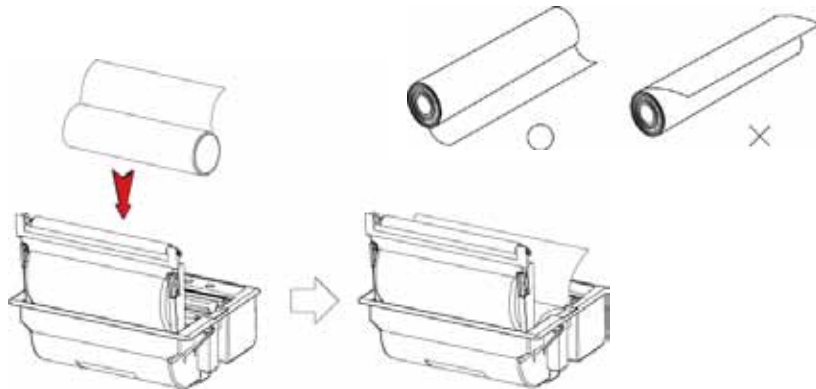
이 단계를 완료하면, () 가 () 가 됩니다.

1. 가 () 가 () 가 됩니다.

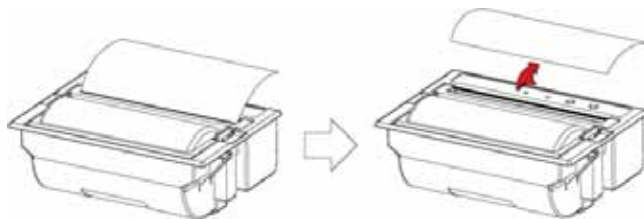
2.



3.



4.



2.5.

| : . (2)
 | : . ()

[]

UART/ 9600 bps/ 8 data bit / No parity/ 1 stop bit / Density
 low / use /Low
 Protocol UART / 57600 bps / 7 data bit / Odd parity / 2 stop bit /
 Density high / No use / Medium 1

U 가 5
 ® 가 1 가 1
 ® 1 가 2 , 가
 Protocol UART
 U 1 , 가 2 , 가 1
 ® 3 , 가 4 , 가
 57600 bps
 U 1 3 , 가 2
 ® 1 , 가 1 , 가
 7 data bit
 U 1 , 가 4 , 가 1
 ® 1 , 가 2 , 가
 Odd parity
 U 1 , 가 5 , 가 1
 ® 1 , 가 2 , 가
 2 Stop bit
 U 1 , 가 6 , 가 1
 ® 2 , 가 3 , 가
 Density high

U 1 , 가 7 , 가 2 .
® 1 , 가 1 , 가
No use .
U 1 , 가 8 , 가 1 .
® 1 , 가 2 , 가
Medium 1 .

Protocol UART / 57600 bps / 7 data bit / Odd parity / 2 Stop bit /
Density high / No use / Medium 1

	()	()	
Communication Port	1	1	UART(RS-232C)
		2	Protocol UART(RS-232C)
Baud Rate	2	1	9600 bps
		2	19200 bps
		3	38400 bps
		4	57600 bps
		5	115200 bps
Data Bit	3	1	7 Data bit
		2	8 Data bit
Parity	4	1	No Parity
		2	Odd Parity
		3	Even Parity
Stop bit	5	1	1 stop bit
		2	2 stop bit
Density	6	1	Density Low
		2	Density Medium
		3	Density High
Mark	7	1	No use
		2	Use
Sensor	8	1	Low
		2	Medium1
		3	Medium2
		4	High

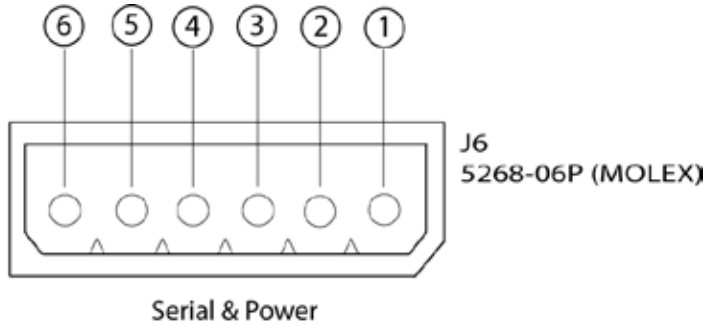
< 2>

2.6.

: DC 9V / Max 3A

3.

3.1. UART (RS-232C or TTL)



Porti-P340 UART(RS-232C TTL) 가 6

1	INPUT		9VDC/3A
2	TxD	Output	Transmit Data
3	RxD	Input	Receive Data
4	N.C		
5	N.C		
6	GND		Ground

<J6 : MOLEX (5268-06P)>

Applicable connector : MOLEX 5264-06P or equivalent.



4.

4.1.



u

-

:

-

:

u

-

:

-

:

가

가

4.2.

1.

2.

3.

4.

5.

(

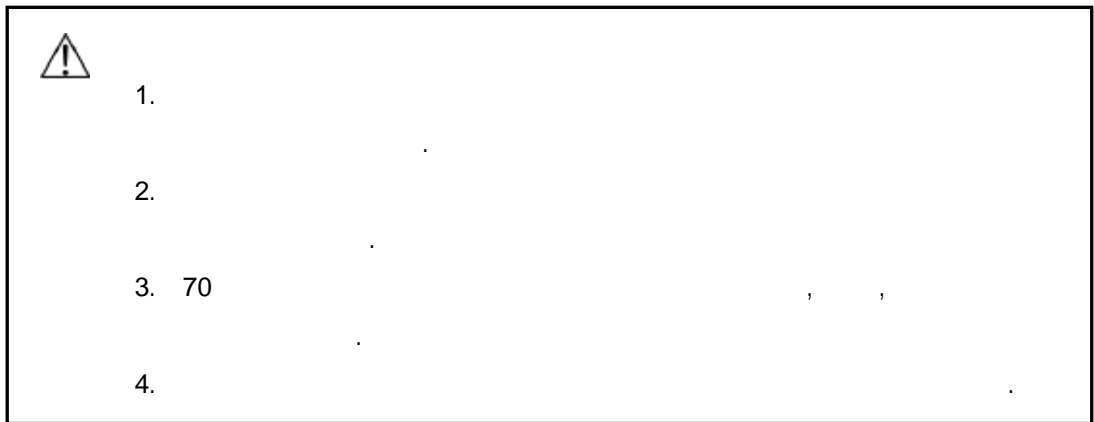
)

가

5.

5.1.

- :
- : 80mm
- : $60 \pm 5 \mu\text{m}$
- : $\text{Ø}38\text{mm}$
- :



5.1.

