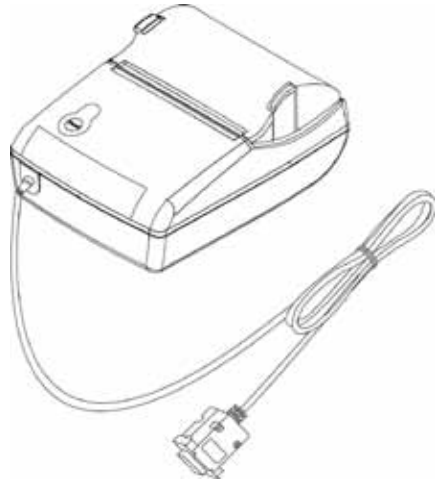


PORTI-KT40

(2)

Rev. 2.0



가 448 ,

3 501

: +82-2-2107-3700

: +82-2-2107-3707

<http://www.woosim.com>

┆
PORTI-KT40 2
Copyright 2010



┆
가

┆

!

- (75 * 103 * 44.3mm)
- (237g) for true mobility.
-
- (50mm/sec, MAX)
- (203dpi : 8dots/mm).
- UART(RS-232C or TTL) or RS-485
-
-
- CLAMSHELL
- 가
-
- Microsoft Windows XP / VISTA / 7 / CE / Linux / Android
- : (XON/XOFF)

I

U

: -10°C ~ 50°C

: 10% ~ 90%

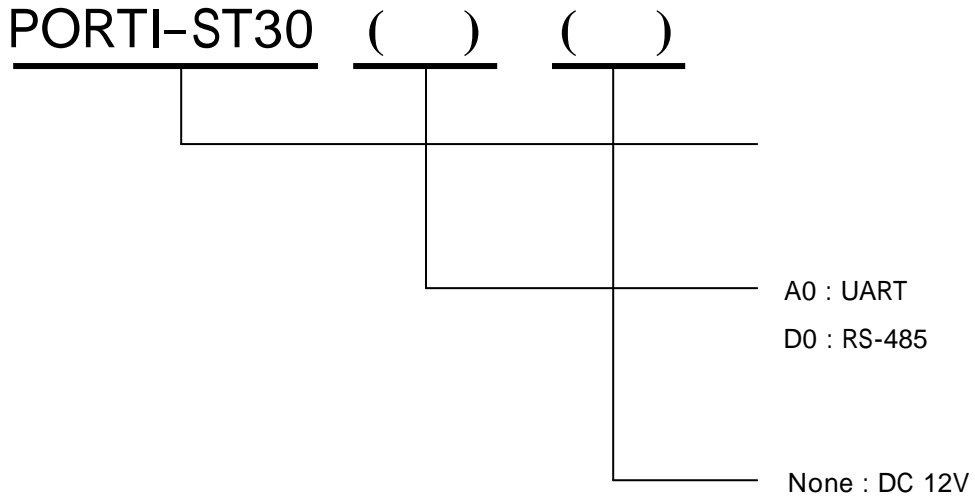
IrDA

U

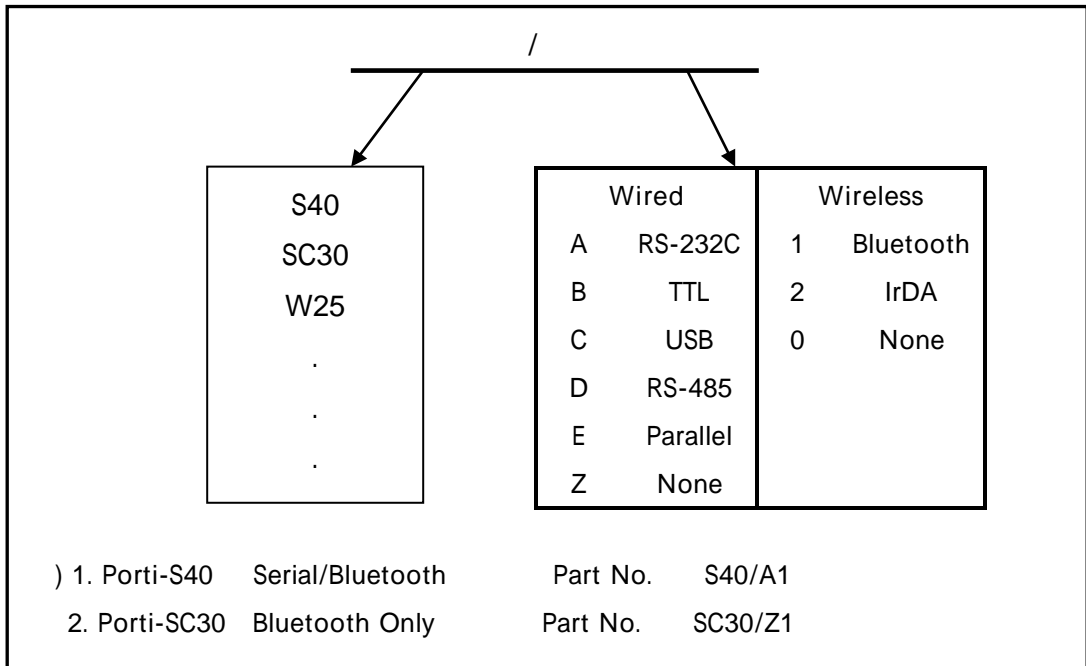
1.	6
1.1.	6
1.2	Part Number	6
1.3.	7
2.	8
2.1.	8
2.2.	9
2.2.1.	9
2.2.2.	9
2.3.	10
2.4.	11
3.	12
3.1.	12
4.	13
4.1.	13
4.2.	13
5.	14
5.1.	14
5.2.	14

1.

1.1.



1.2 Part Number



1.3.

42cpl (MAX)		
: 9*24dots, 12*24dots : 16*24dots, [24*24dots]		
Simplified/Traditional Chinese, Arabic, Cyrillic, Russian, Tukish, Greek, Japanese, Persian, Latin9 and Others upon request.		
203dpi, 8dots/mm		
2-inch (48mm, 384dots)		
50mm / sec (MAX)		
75 * 103 * 44.3 mm		
237g ()		
UART(RS-232C or TTL) or RS-485		
(57mm ,40ø)		
1-dimension : Code128, Code39, I2/5, Code93 UPC, EAN, KAN,JAN, CODABAR 2-dimension : PDF417, QR Code, DATA Matrix		
Microsoft Widows XP / VISTA / 7 Windows CE, Linux, Android OS driver compatible		
10K bytes		
12VDC, Stand by 80mA and Max 3A		
	-10°C ~ 50°C ()	
	-10°C ~ 70°C ()	
	30% - 80% ()	
	10% - 90% ()	
MCBF (Mean Cycle Between failure)	Mechanical	37,000,000 lines
	Head	50 Km

2.

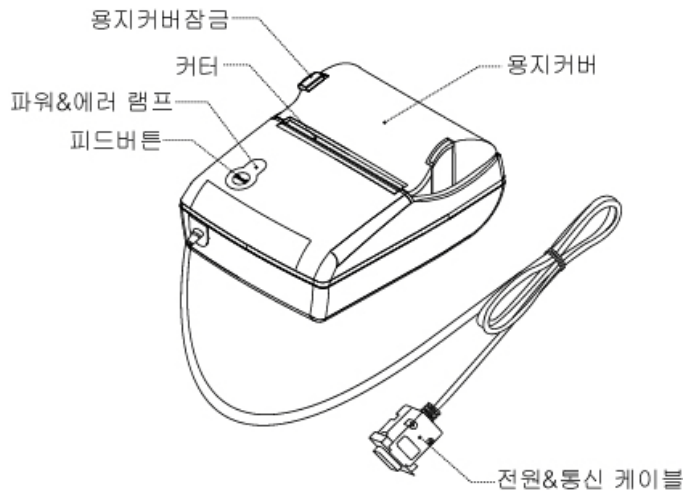
2.1.



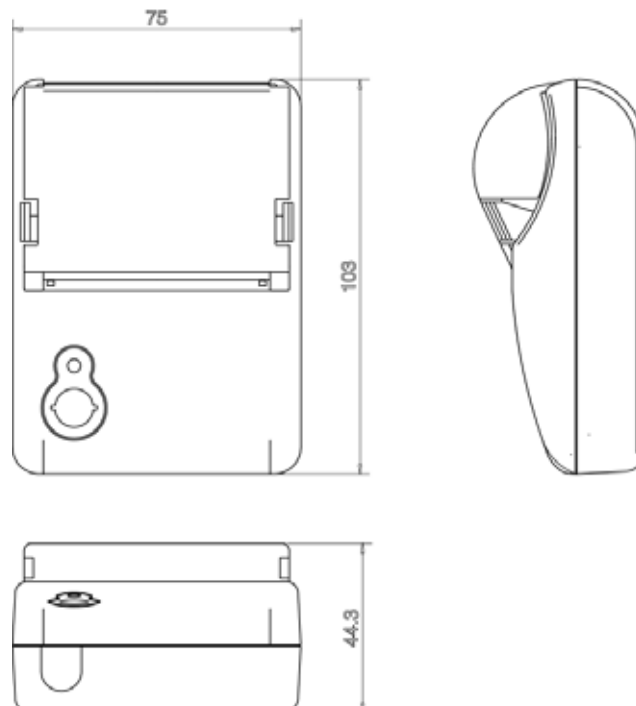
PORTI-KT40

2.2.

2.2.1.



2.2.2.



2.3.

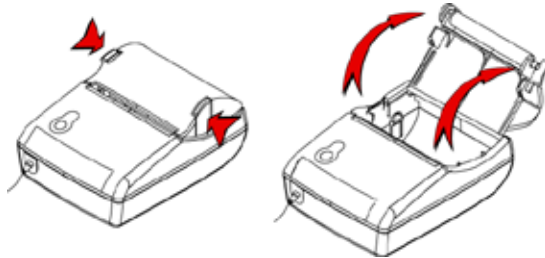
1. () 가 () 가

1. 가 가

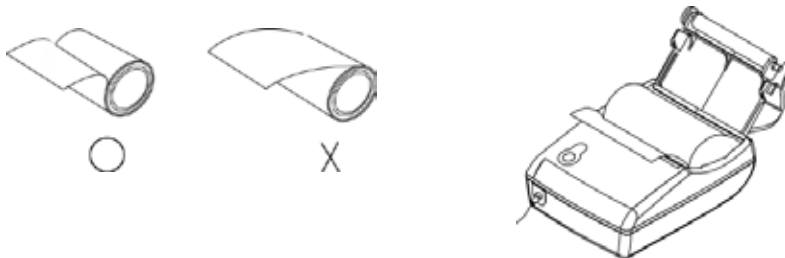
가

2. 가

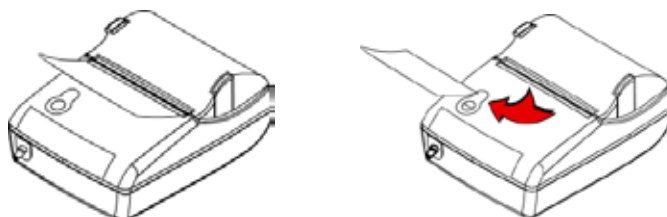
가



3.



4.



2.4.

: DC 12V, MAX 3A

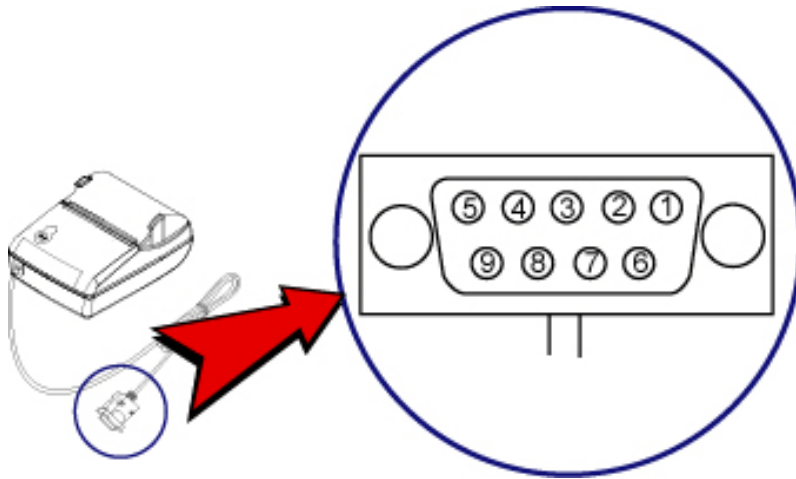
3.

3.1.

Porti-KT40

UART(RS-232C) or RS-485

가 , 9

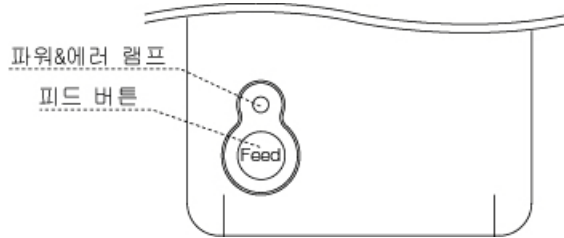


2	TxD		Transmit Data
3	RxD		Receive Data
5	GND		Ground
9	Vpp		12VDC / 3A

<D-Sub 9p Female >

4.

4.1.



U

-

:

U

-

&

:

():

():

가

가

4.2.

1.

2.

3.

4.

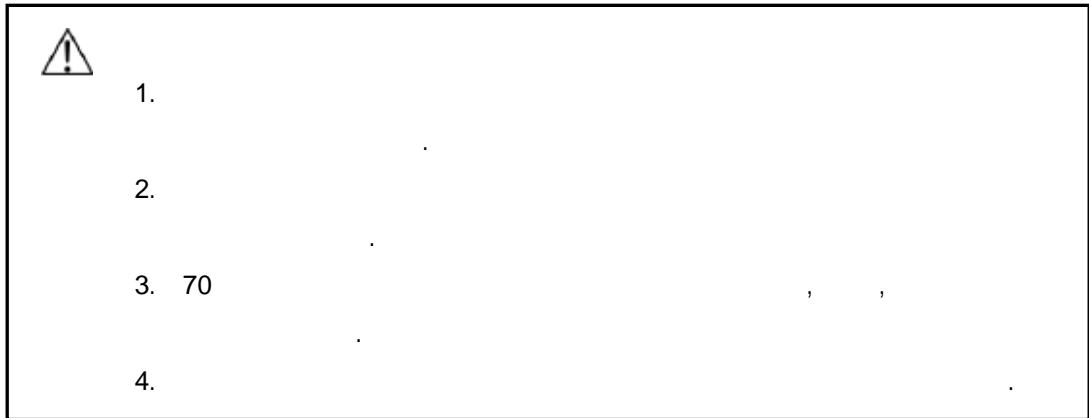
5.

가

5.

5.1.

- :
- : 57mm
- : $60 \pm 5 \mu\text{m}$
- : $\text{Ø}40\text{mm}$
- :



5.2.

