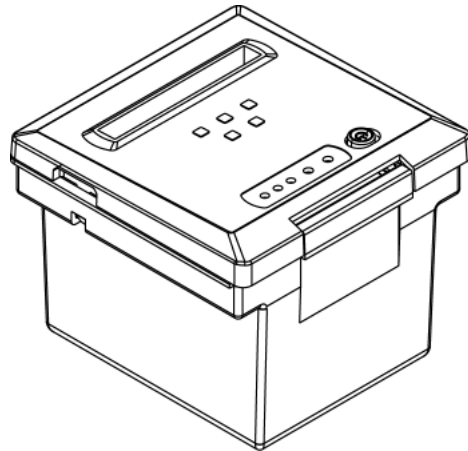


Operator's Manual

PORTI-AP60

(2)

Rev. 3.0



가 448 ,

3 501

: +82-2-2107-3700

: +82-2-2107-3707

<http://www.woosim.com>

|
|

PORTI-AP60 2

Copyright 2010

|
|



|
|

가

|
|

!

-
-
- (50mm/sec,MAX)
- (203dpi : 8dots/mm)
- UART(RS-232C), RS-485,
- , LED
- ,
- CLAMSHELL
-
- 가
- - ,
- : (XON/XOFF)

I

U

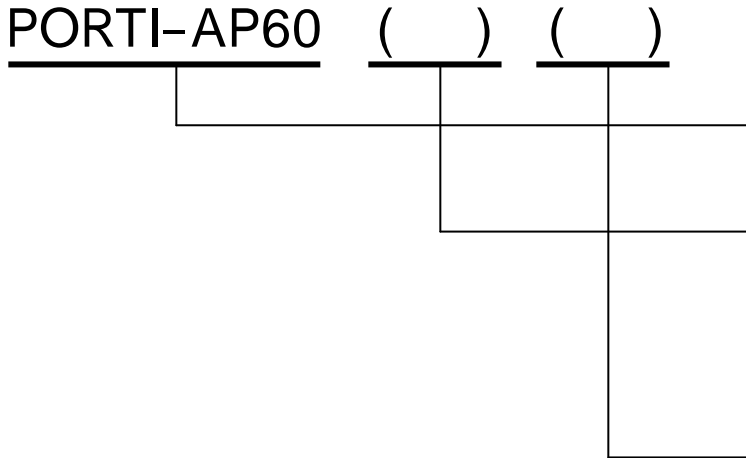
: -10°C to 50°C
: 30% to 80%

U

- 1.6
- 1.1.6
- 1.2. Part Number6
- 1.3.7
- 2.8
- 2.1.8
- 2.2.9
 - 2.2.1.9
 - 2.2.2.10
 - 2.2.3.11
- 2.3.12
- 2.4.13
- 3.14
- 3.1. 9V - UART (RS-232C) or RS-485.....14
- 3.2. 12V 24V : UART(RS-232C)15
- 3.3.17
- 4.18
- 4.1.18
- 4.2.18
- 5.19
- 5.1.19
- 5.2.19

1.

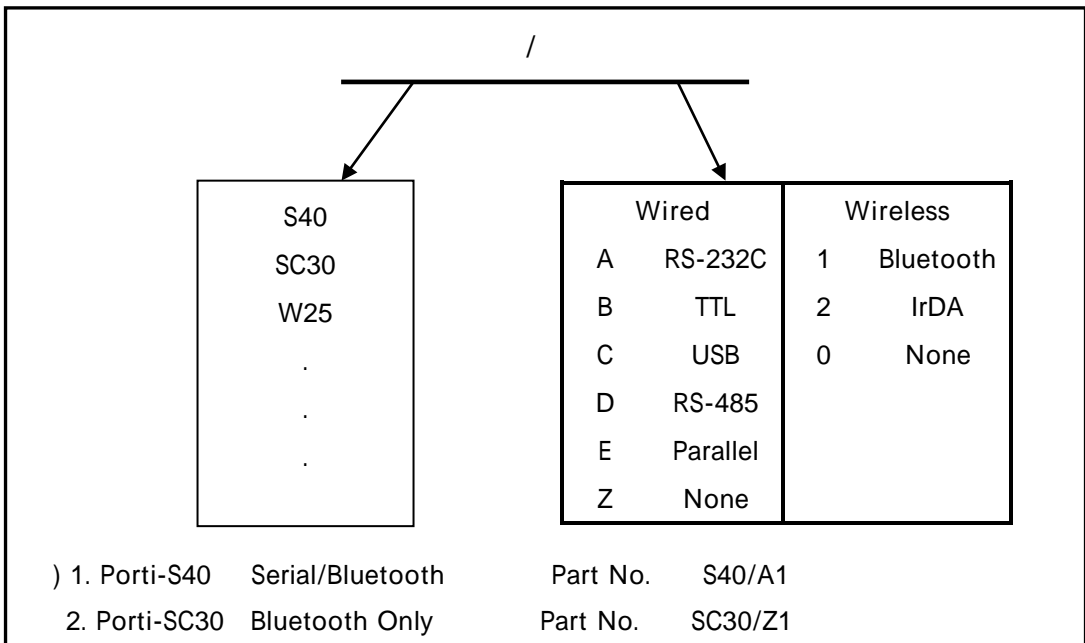
1.1.



A0 : UART
 D0 : RS-485
 AE: UART/Parallel

9V : DC 9V
 12V : DC12V
 24V : DC24V

1.2. Part Number

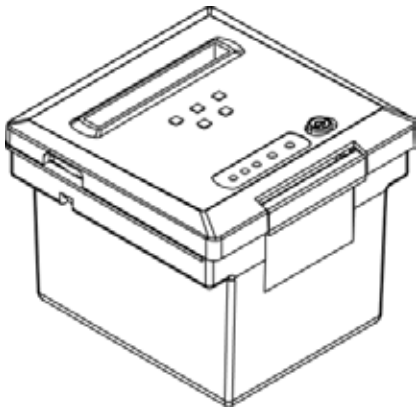


1.3.

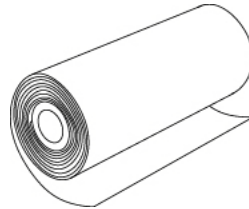
42cpl (MAX)		
: 9*24dots, 12*24dots : 16*24dots, [24*24dots]		
Simplified/Traditional Chinese, Arabic, Cyrillic, Russian, Tukish, Greek, Japanese, Persian, Latin9 and Others upon request.		
203dpi, 8dots/mm		
2 (48mm, 384dots)		
50mm/sec (MAX)		
107.2 * 109.1 * 90.6 mm		
451g ()		
UART (RS-232C), RS-485, Parallel		
(57mm , 60ø)		
1 : Code128, Code39, I2/5, Code93 UPC, EAN, KAN, JAN, CODABAR		
2 : PDF417, QR Code, DATA Matrix		
Microsoft Widows XP / VISTA / 7		
Windows CE, Linux, Android OS driver compatible		
MCU : 32bits RISC, FLASH : 4Mbytes, RAM : 8Mbytes		
1Mbytes		
9VDC, Stand by 80mA and Max 3A [Cutter Type : 5V] 12VDC, Stand by 80mA and Max 3A [Cutter Type : 5V] 24VDC, Stand by 80mA and Max 3A [Cutter Type : 24V]		
		-10°C ~ 50°C ()
		-10°C ~ 70°C ()
		30% - 80% ()
		10% - 90% ()
MCBF (Mean Cycle Between failure)	Mechanical	37,000,000 lines
	Head	50 Km

2.

2.1.

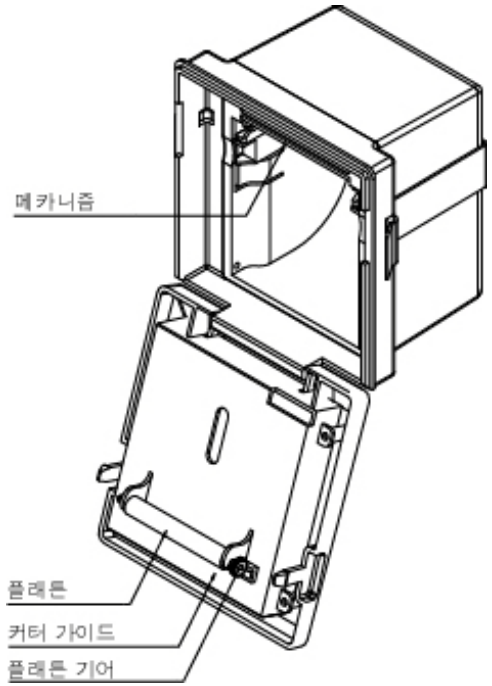
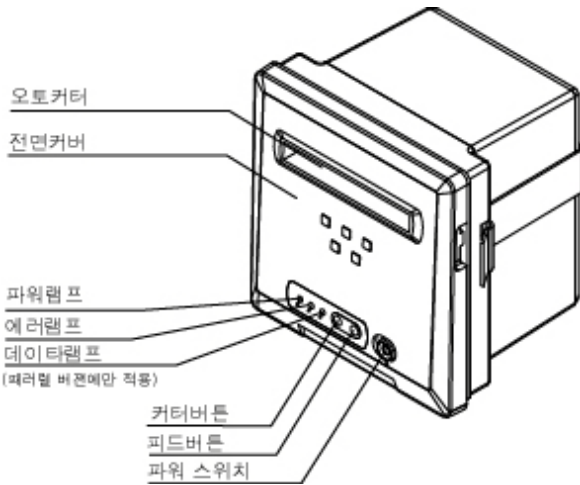


PORTI-AP60



2.2.

2.2.1.



9V



12V

24V

2.2.2.

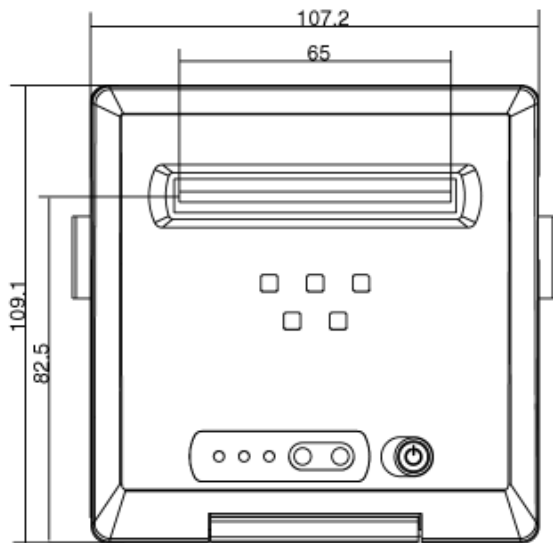


Plate Hole Outline

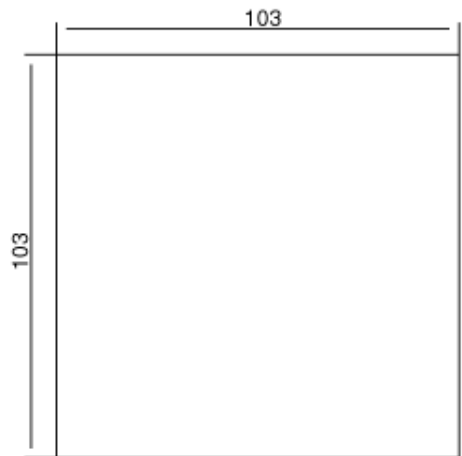
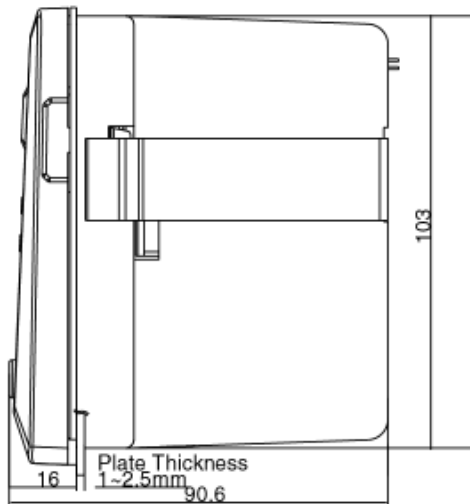
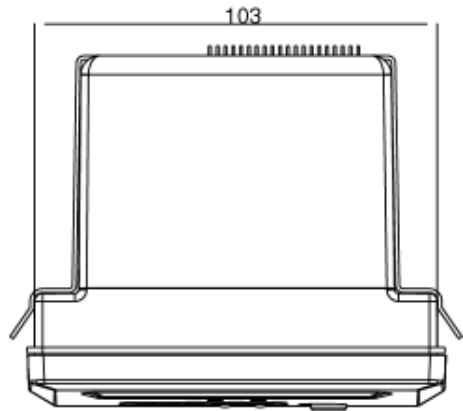
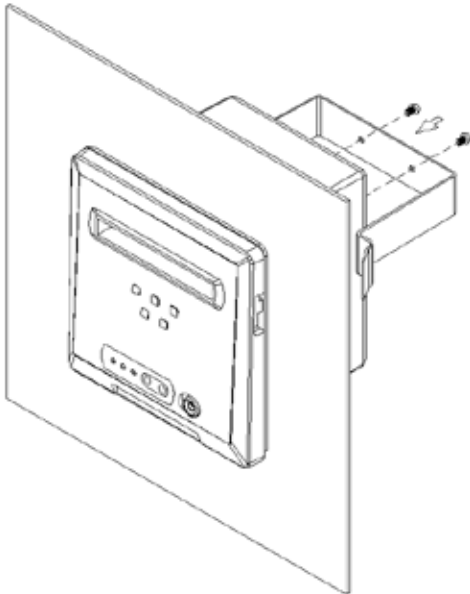
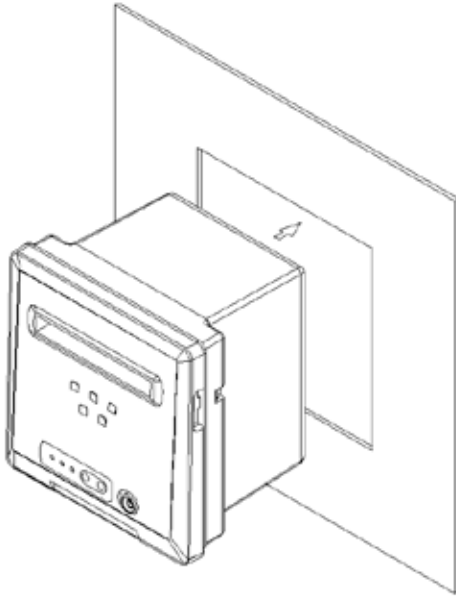


Plate Hole Outline

2.2.3.



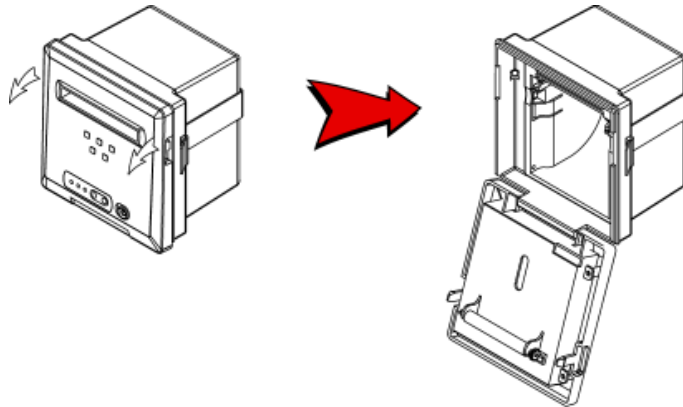
- 1) AP60
- 2) AP60
- 3) 가
- 4) 가
- 5) 1~3mm가

2.3.

:
(가 ,)

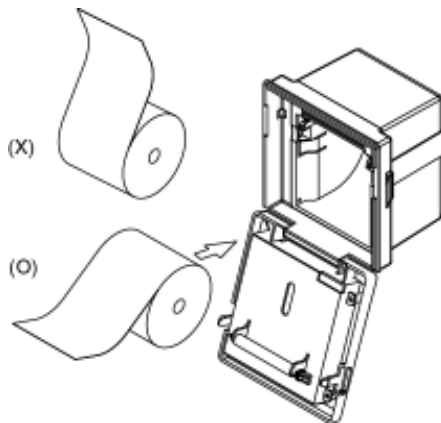
1. 가 . (가
가 .)

2.

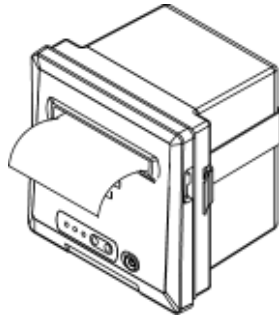


3.

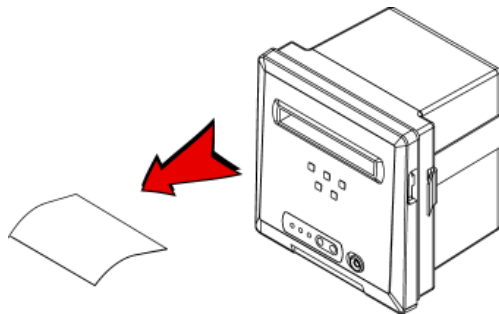
4.



5.



6.



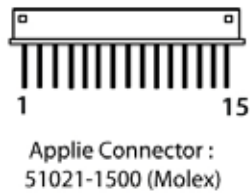
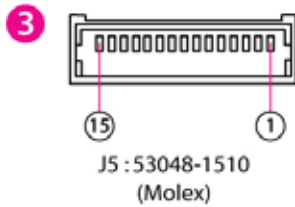
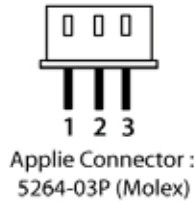
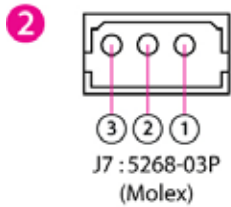
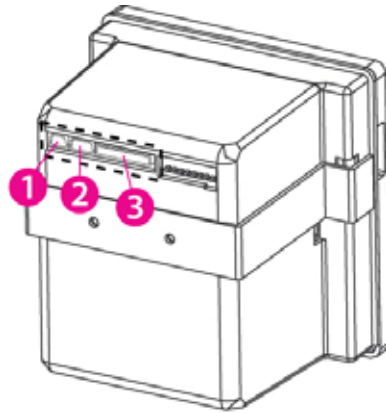
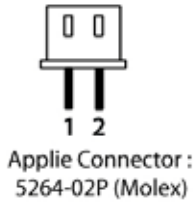
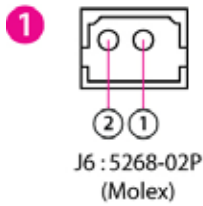
2.4.

INPUT : DC 9V, MAX 3A
DC 12V, MAX 3A
DC 24V, MAX 3A

3.2. 12V 24V : UART(RS-232C)

Porti-AP60 (12V) UART(RS-232C)
 2P, 3P, 15P

가



<J6>

2	INPUT	DC12V or 24V/3A
1	GND	Ground

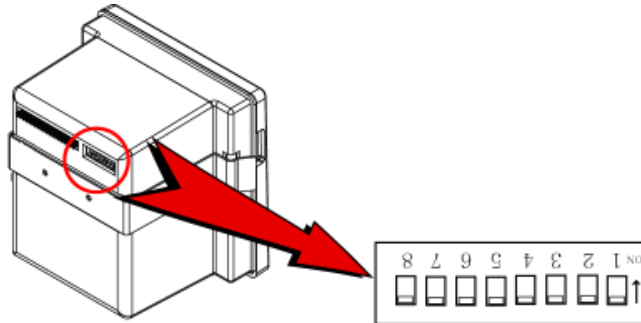
<J7>

3	GND	-	Ground
2	RXD		Receive Data
1	TXD		Transmit Data

<J5>

15	STB		STROBE
14	D0	"	DATA BIT 0
13	D1	"	DATA BIT 1
12	D2	"	DATA BIT 2
11	D3	"	DATA BIT 3
10	D4	"	DATA BIT 4
9	D5	"	DATA BIT 5
8	D6	"	DATA BIT 6
7	D7	"	DATA BIT 7
6	ACK		Acknowledge
5	BUSY	"	BUSY
4	P/E	"	P.END
3	ERR	"	ERROR
2	INIT		Initialize Printer
1	GND	-	Ground

3.3.



No				
1	1	2		
	Off	Off	Density High	
	Off	On	Density Medium	
	On	Off	Density High	
	On	On	Density Low	
2	3	4	5	
	Off	Off	Off	115200 Baud Rate
	On	Off	Off	57600 Baud Rate
	Off	On	Off	38400 Baud Rate
	On	On	Off	19200 Baud Rate
	Off	Off	On	9600 Baud Rate
	On	Off	On	4800 Baud Rate
	Off	On	On	2400 Baud Rate
On	On	On	1200 Baud Rate	
3	6			
	Off	PROTOCOL RS232		
	On	RS232C		
4	7	8		
	Off	Off	Odd Parity, 1 Stop Bit	
	Off	On	Even Parity, 1Stop Bit	
	On	Off	Odd Parity, 1 Stop Bit	
	On	On	No Parity, 1 Stop Bit	

< >

4.

4.1.



u

-

:

u

-

:

-

:

가

가

-

:

가

4.2.

1.

2.

3.

(

)

4.

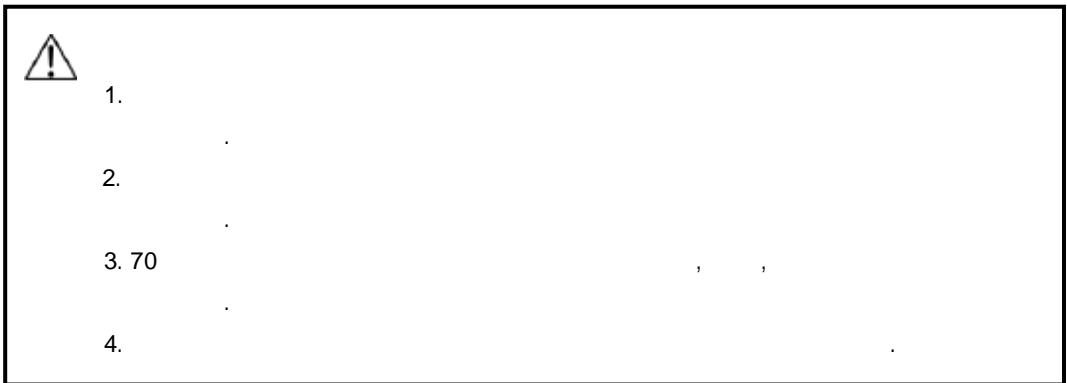
5.

가

5.

5.1.

- :
- : 57mm
- : $60 \pm 5 \mu\text{m}$
- : $\text{Ø}60\text{mm}$
- :



5.2.

