

# Operator's Manual

## PORTI-SM40

(2 )

Rev. 3.0



가 448 ,

3 501

: +82-2-2107-3700

: +82-2-2107-3707

<http://www.woosim.com>

|

Porti-SM40 2

Copyright 2010

|



|

가

|

!

- u (80.25×113.5×46.1mm)
- u (300g)
- u
- u (80mm/sec, MAX)
- u (203dpi : 8dots/mm)
- u UART(RS-232C or TTL), Bluetooth Ver2.1 + EDR
- u (MSR : Magnetic Stripe Reader),
- u LCD (128x32dots)
- u ,
- u , , LED
- u CLAMSHELL
- u
- u Door open & Paper-out
- u 가
- u - ,
- u Microsoft Windows XP/VISTA/7/CE/Linux/Android
- u : 1.5m ( )
- u : (XON/XOFF)
- u



I

U

: -10°C to 50°C

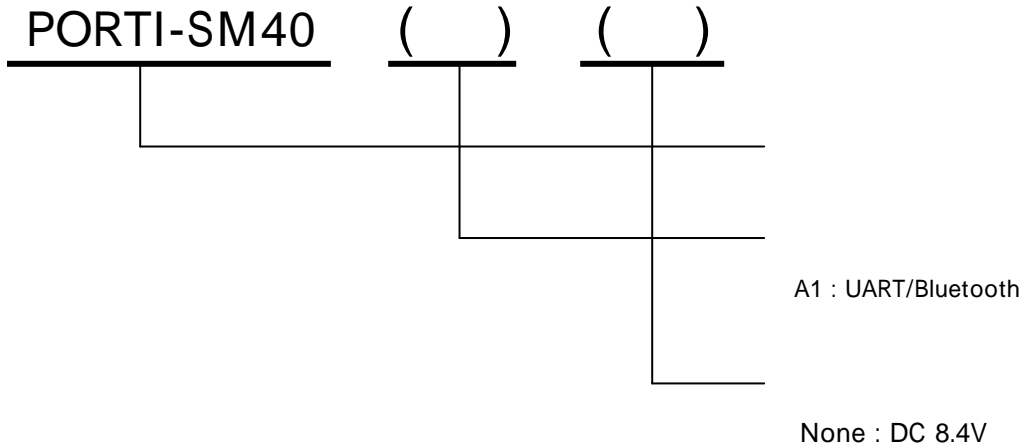
: 30% to 80%

U

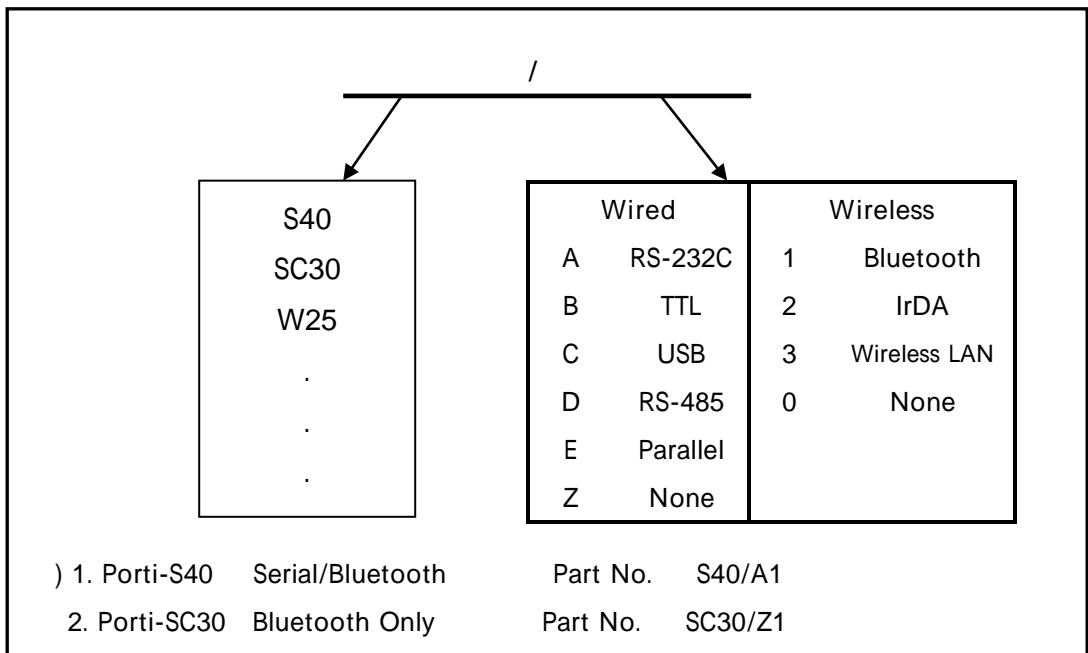
1.	.....	6
1.1.	.....	6
1.2	Part Number .....	6
1.3.	.....	7
2.	.....	9
2.1.	.....	9
2.2.	.....	10
2.3.	.....	11
2.4.	.....	12
2.5.	.....	13
2.5.1.	.....	13
2.5.2.	.....	13
2.5.3.	.....	14
2.6.	.....	15
3.	.....	18
3.1.	UART(RS-232C or TTL) .....	18
3.2.	.....	18
3.3.	& .....	19
4.	.....	19
4.1.	.....	19
4.2.	.....	20
4.2.1.	.....	20
4.2.2.	( ) .....	20
5.	.....	21
5.1.	.....	21
5.2.	.....	22
6.	.....	23
6.1.	.....	23
6.2.	.....	23

1.

1.1.



1.2 Part Number



1.3.

	42cpl (MAX)
	: 9*24dots, 12*24dots : 16*24dots, [24*24dots]
	Simplified/Traditional Chinese, Arabic, Cyrillic, Russian, Turkish, Greek, Japanese, Persian, Latin9 and Others upon request.
	203dpi, 8dots/mm
	2-inch (48mm, 384dots)
	80mm / sec (MAX)
	80.25×113.5×46.1mm
	300g ( & )
	UART(RS-232C or TTL), Bluetooth Ver 2.1 + EDR
	( 57mm, 40ø)
	1 : Code128, Code39, I2/5, Code93 UPC, EAN, KAN, JAN, CODABAR 2 : PDF417, QR Code, DATA Matrix
	Microsoft Widows XP / VISTA / 7 Windows CE, Linux, Android OS
	MCU : 32bits RISC, FLASH : 4M bytes, RAM : 8M bytes 1M bytes
MSR	ISO 7810 / 7811 / 7812 1&2 2&3
	ISO 7816 Compliant (EMV level 1 Certified) / T=0, T=1 support / 2 SAM (Security Application Module)
LCD	128×32 Dots FSTN ( LED )
	가 7.4V DC, 1100mAh ( )

( ... )

	1	
	(100~250V AC 50~60Hz) (8.4VDC/0.8A), - 4	
		-10°C ~ 50°C ( ) -10°C ~ 70°C ( )
		30% - 80% ( ) 10% - 90% ( )
	Mechanical	37,000,000 lines
	Head	50 Km

< 1 >

2.

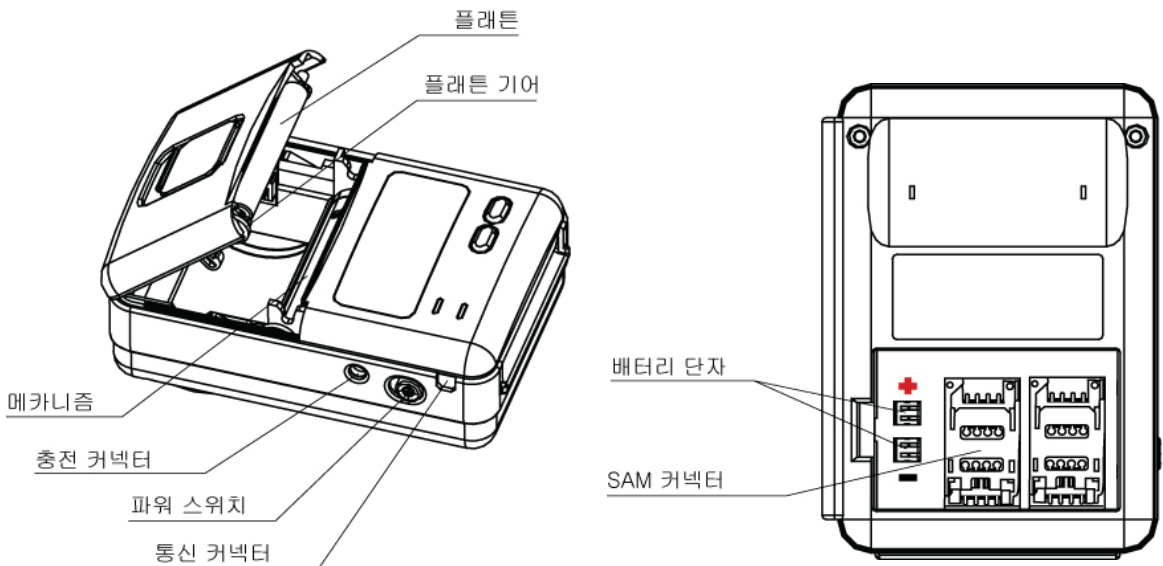
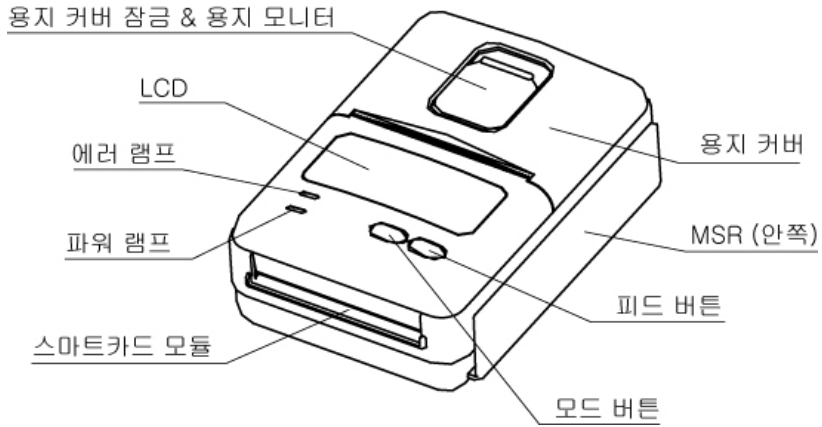
2.1.



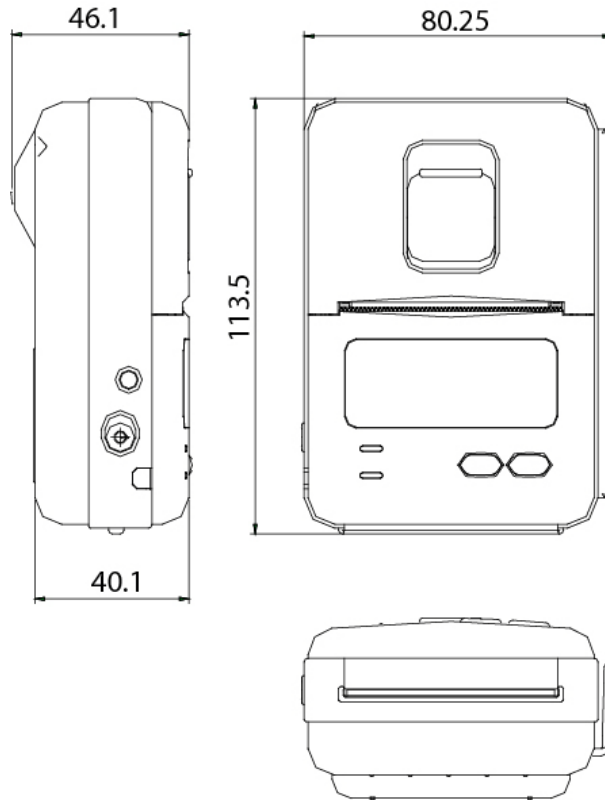
PORTI-SM40



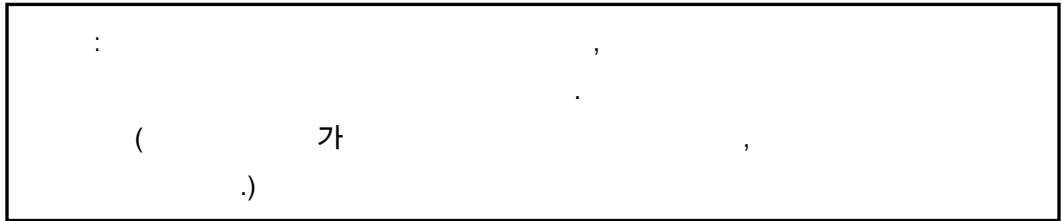
2.2.



2.3.



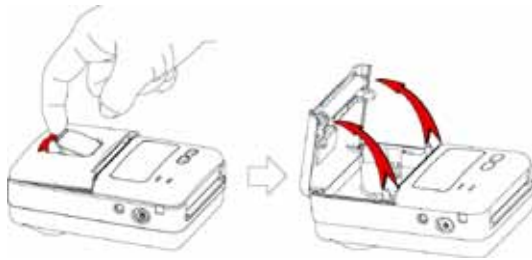
## 2.4.



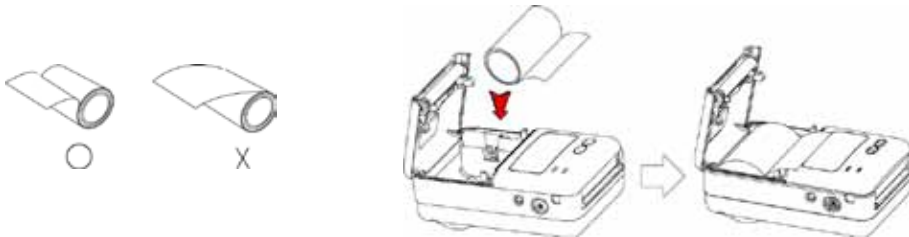
1. 가 가 가

2. 가

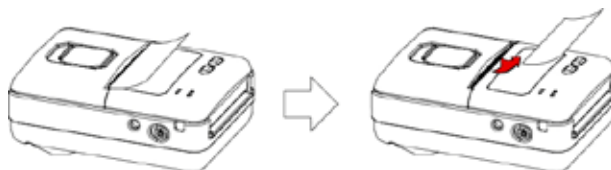
가



3.



4.

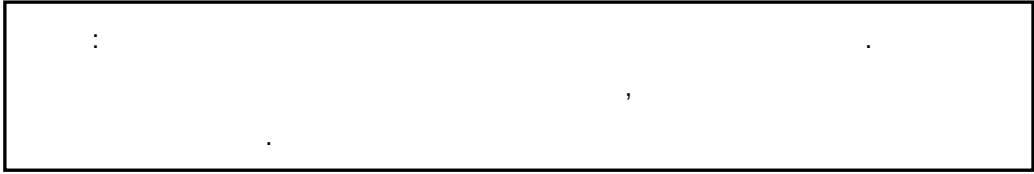


2.5.

2.5.1.

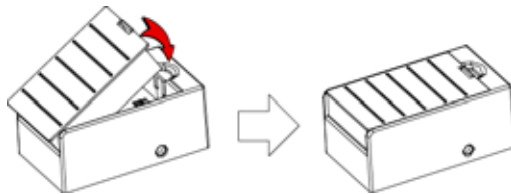
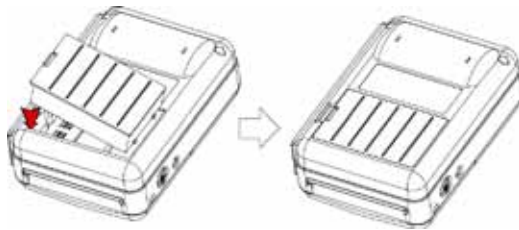
: DC 8.4V / 0.8A

2.5.2.



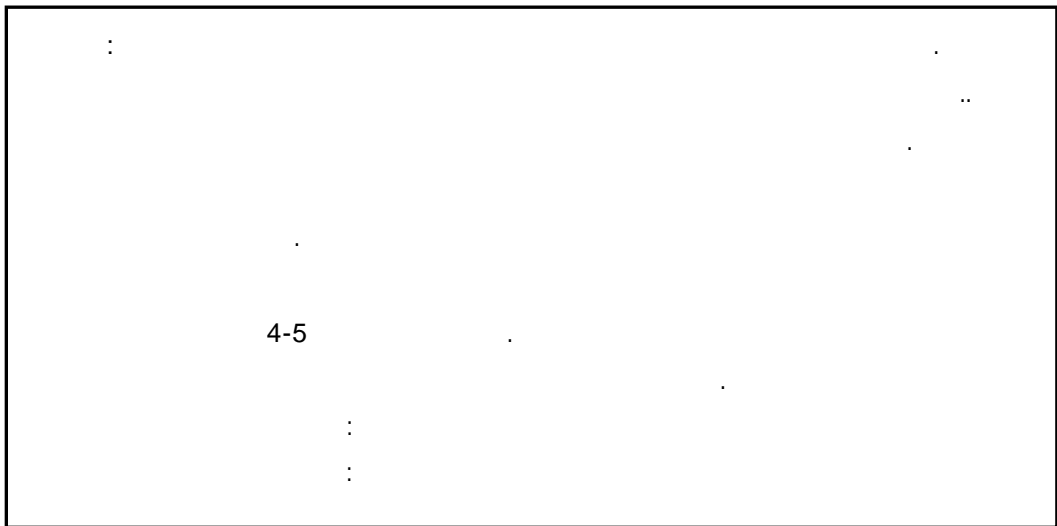
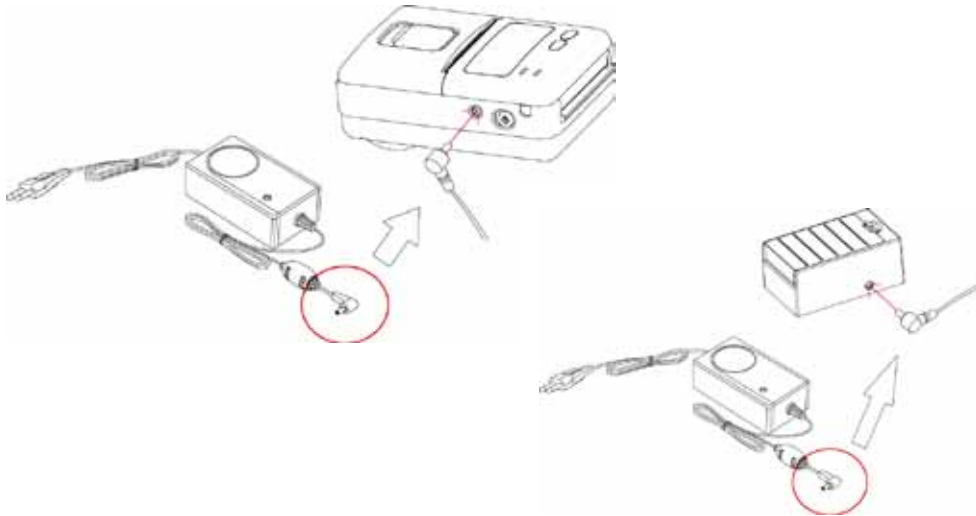
가 가

가



2.5.3.

가



2.6.

. ( 2 )

| : .  
 | : .  
 [ ]

UART/ 9600 bps/8 Data bit/ No parity/1 Stop bit/ Density  
 low / Low / Use / Low / 5 minutes  
 Bluetooth / 57600 bps / 7 Data bit / Odd parity / 2 stop bit /  
 Density high / High / No use / Medium 1 ,

- U 가 5 .
- ® LCD . (UART)
- ® 2 , 가 Bluetooth .
- U 1 .
- ® LCD . (9600 bps)
- ® 3 , 가 57600 bps .
- U 1 .
- ® LCD . (8 Data bit)
- ® 1 , 가 7 Data bit .
- U 1 .
- ® LCD . (No parity)
- ® 1 , 가 Odd parity .
- U 1 .
- ® LCD . (1 stop bit)
- ® 1 , 가 2 stop bit .
- U 1 .
- ® LCD . (Density low)
- ® 2 , 가 Density high .

U		1	.	.
®	LCD		.	(Low)
®		1	,	가 High
U		1	.	.
®	LCD		.	(Use)
®		1	,	가 No use
U		1	.	.
®	LCD		.	(Low)
®		1		가 Medium 1

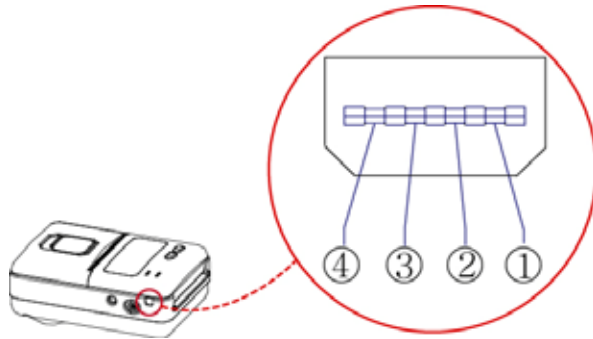
Bluetooth / 57600bps / 7 data bit / Odd parity / 2 stop bit / Density high  
/ High/No use / Medium 1

	( )		( )
1	Communication Port	1	UART
		2	UART (Protocol)
		3	Bluetooth
		4	Bluetooth (Protocol)
2	Baud Rate	1	9600 bps
		2	19200 bps
		3	34800 bps
		4	57600 bps
		5	115200 bps
3	Data Bit	1	7 Data bit
		2	8 Data bit
4	Parity Bit	1	No Parity
		2	Odd Parity
		3	Even Parity
5	Stop Bit	1	1 Stop Bit
		2	2 Stop Bit
6	Density	1	Low Density
		2	Medium Density
		3	High Density
7	Mark	1	No use
		2	Use
8	Sensor	1	Sensor Low
		2	Sensor Medium 1
		3	Sensor Medium 2
		4	Sensor High

&lt; 2 &gt;

### 3.

#### 3.1. UART(RS-232C or TTL)



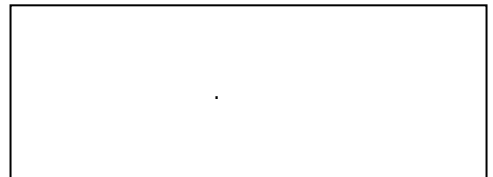
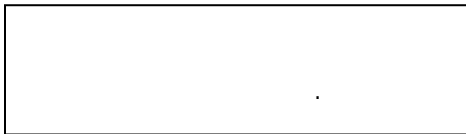
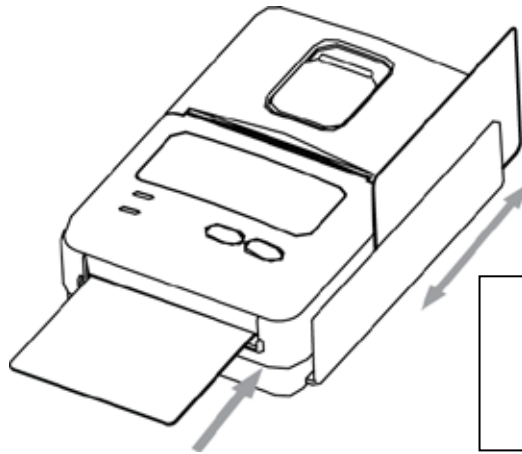
PORTI-SM40                      UART(RS-232C or TTL)                      가 ,  
 4                      USB

Pin No.	Signal	Direction	Description
1	TxD	Output	Transmit Data
2	RxD	Input	Receive Data
3	CTS	-	-
4	GND	-	Ground

#### 3.2.

	Bluetooth Ver2.1 + EDR / Class2 (10m)
	2.4GHz ISM BAND
	57600bps Fixed.
	8 Data bit Fixed.
	No parity Fixed.
	1 Stop bit Fixed.

### 3.3. &



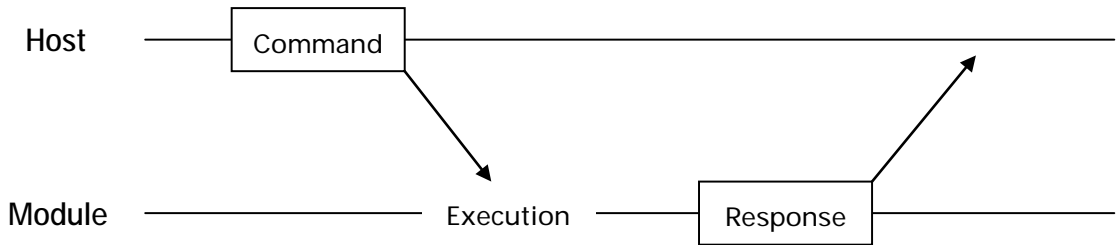
## 4.

### 4.1.

- Contact Smart Card Reader Module for ISO/IEC-7816
- Support Asynchronous Protocol T=0,T=1
- Smart Card Connection
  - Short Circuit Current Limitation
  - 6KV ESD Protection on whole Smart Card Interface
  - Connector : Friction Type with Smart Card presence detection
- 2 SAM (Security Application Module)
- EMV Level 1 Certified

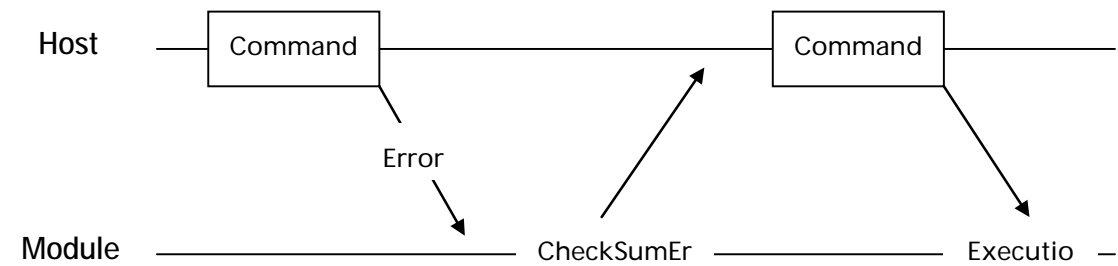
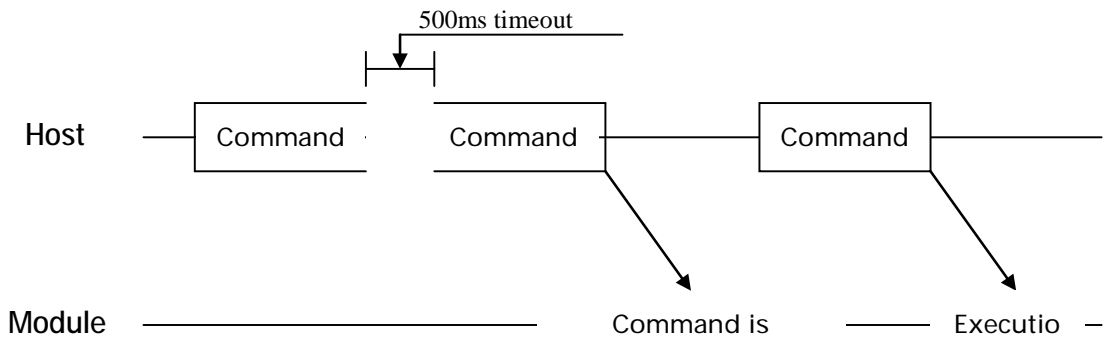
4.2.

4.2.1.



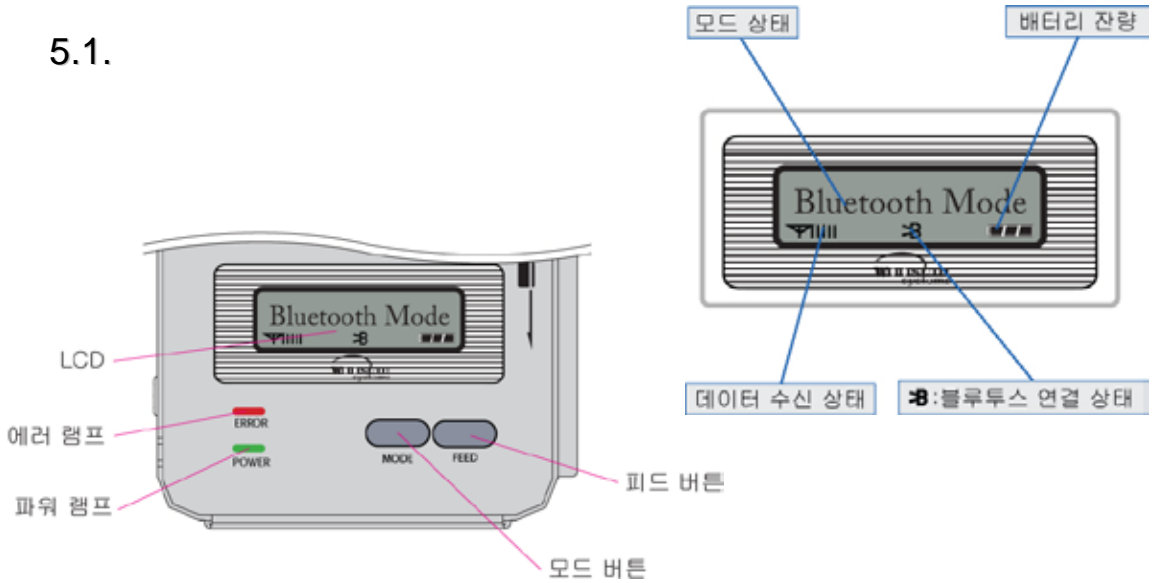
4.2.2.

( )



5.

5.1.



u

-

:

-

:

(2.6

)

UART (RS-232C or TTL)

u

-

:

가

-

:

가

가

uLCD

- LCD

( i.e:

## 5.2.

- 1.
- 2.
- 3.
- 4.
- 5.

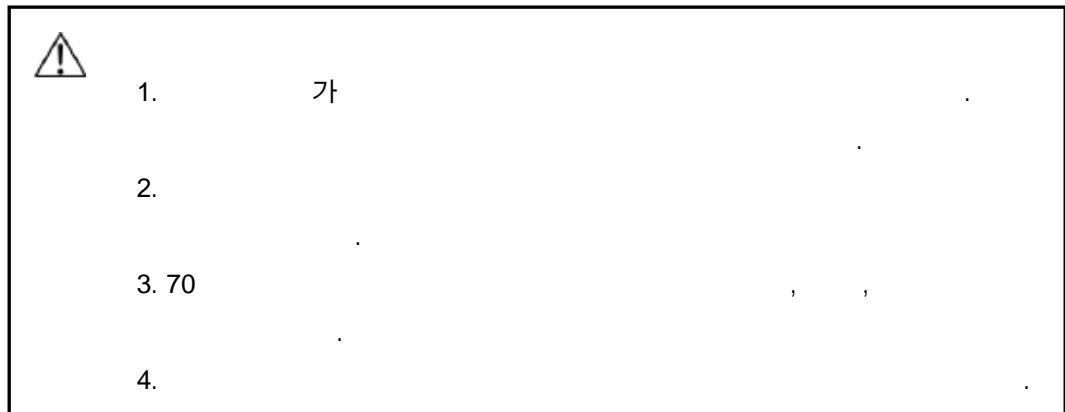
( )

가

## 6.

### 6.1.

- :  
: 57mm  
:  $60 \pm 5 \mu\text{m}$   
:  $\text{Ø}40\text{mm}$   
:



### 6.2.

