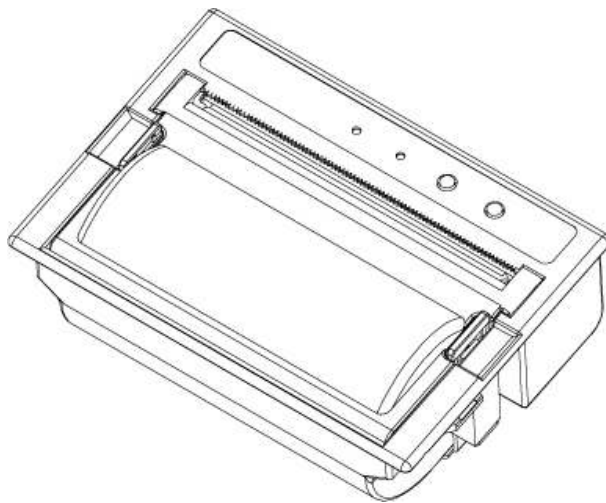


MODEL **PORTI-P340**

(PANEL PRINTER)

Rev. 2.0



WOOSIM SYSTEMS Inc.

Add : #501, Daerung Technotown 3th,
448, Gasan-Dong, GeumChun-Ku,
Seoul, Korea

Tel : +82-2-2107-3700

Fax : +82-2-2107-3707

URL: <http://www.woosim.com>

All specifications are subjected to change without notice

■ Copyright

PORTI-P340 panel printer operator's manual.

Copyright ©2008 by Woosim Systems Inc.

All rights reserved.

The information contained in this manual is the property of Woosim Systems Inc.

And may not be reproduced in whole or in part without the prior written permission of Woosim System Inc.

■ Trademark



a registered trademark of Woosim Systems Inc.

All other trademark are the properties of their respective companies.

■ Caution

Some semiconductor devices are easily damaged by static electricity. You should turn the printer "OFF", before you connect or removed the cable on the rear side, in order to guard the printer against the static electricity.

If the printer is damaged by the static electricity, you should turn the printer "OFF"

■ Notice

The contents of this manual are subject to change without notice.

■ Introduction

The **PORTI-P340** is an extremely simple and functional panel printer. It is the ideal solution for applications which require the immediate printing of data on a paper, whether they be of an industrial, professional or laboratory nature. Medical analyzer, Industrial instrument, Recorder, Geological analyzer, Underground analyzer, Chemical analyzer, Metallic analyzer, etc.

The general features of PORTI-P340 printer are as follows:

- ▶ Very silent printing thru direct thermal printing method.
- ▶ High speed(40mm/sec, MAX)
- ▶ UART(RS-232C or TTL) interface.
- ▶ Support text and graphic printing.
- ▶ Easier paper loading by CLAMSHELL design.
- ▶ Easier maintenance with self-diagnostic.
- ▶ In field programming – Update Firmware, Download Fonts and Logos
- ▶ Flow control : Software (XON/XOFF)
 - ※ Hardware flow control not supported in printer.
- ▶ Agency Approvals



■ Operating Precautions

Please follow the precautions below to enjoy and maintain the full performance of the printer.

▶ Using the Printer

- Be careful not to drop or bump the printer on a hard surface.
- Do not install the printer in direct sunlight or such areas.

Suitable environment for the use of the printer is as follows:

- ◆ Operating temperature :-10°C to 50°C
- ◆ Relative humidity : 10% to 90% (No condensation)
- Do not install the printer near devices that generate strong electromagnetic fields such as a copy machine.
- Do not open the platen cover during printing .
- Do not remove or reinstall the communication cable during printing or transmission.
- Do not touch the connectors of the communication during printing.
- Switch the POWER OFF when not in use.
- Do not use alcohol or other solvent.
- The AC adapter, the battery charger and the battery pack may become warm when in use. This is normal and is not a malfunction.
- When the battery pack is used at low temperature, the length of time the printer can be used may be shortened.

▶ Thermal Paper Handling

- Store the thermal paper in a cool, dry and dark place.
- Do not rub the paper with hard object.
- Do not leave the paper with hard object.
- Do not allow plastic film, erasers, or adhesive tape to touch the paper for long periods.
- Do not stack the thermal paper with diazo copies immediately after copying or wet-type copies.
- Do not use chemical glue.
- Always use the clean thermal paper.

■ Note

This equipment has been tested and found to comply with the limits for a Class B digital device, pursuant to Part 15 the FCC Rules.

These limits are designed to provide reasonable protection against harmful interference in a residential installation.

These equipment generates, uses and can radiate radio frequency energy and, if not installed and used in accordance with the instructions, may cause harmful interference to radio communications.

However, there is no guarantee that interference will not occur in a particular installation.

If this equipment does cause harmful interference to radio or television reception , which can be determined by turning the equipment off and on, the user is encouraged to try to correct the interference by one or more of the following measures:

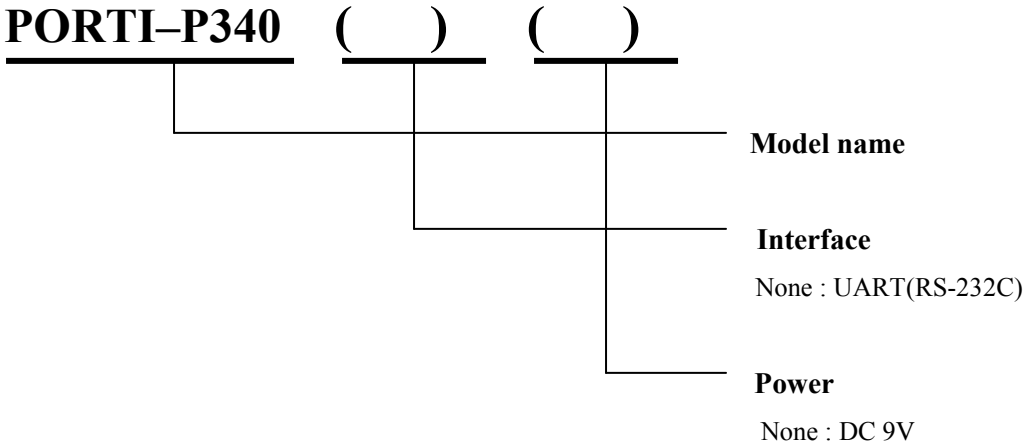
- Reorient or relocate the receiving antenna.
- Increase the separation between the equipment and receiver.
- Connect the equipment into an outlet on a circuit different from that to which the receiver is connected.
- Consult the dealer or an experienced radio/TV technician for help.

CONTENTS

- 1. Outline7**
 - 1.1. Model classifications7
 - 1.2. Product Part Number System.....7
 - 1.3. Specifications8
- 2. Setting up the printer9**
 - 2.1. Printer & Accessories9
 - 2.2. Printer Features.....10
 - 2.3. Panel Installation11
 - 2.4. Replacing paper roll.....12
 - 2.5. Set operation mode13
 - 2.6. Specified power supply16
- 3. Interface.....17**
 - 3.1. UART (RS-232C or TTL)17
- 4. Using the printer18**
 - 4.1. Control panel18
 - 4.2. The self test.....19
- 5. Consumable Parts20**
 - 5.1. Recommended paper20
 - 5.2 Printing position20

1. Outline

1.1. Model classifications



1.2. Product Part Number System

Model name / Interface Spec.

<p>S40 SC30 W25 . . .</p>	<table border="1" style="width: 100%; border-collapse: collapse;"> <thead> <tr> <th colspan="2">Wired</th> <th colspan="2">Wireless</th> </tr> </thead> <tbody> <tr> <td>A</td> <td>RS-232C</td> <td>1</td> <td>Bluetooth</td> </tr> <tr> <td>B</td> <td>TTL</td> <td>2</td> <td>IrDA</td> </tr> <tr> <td>C</td> <td>USB</td> <td>0</td> <td>None</td> </tr> <tr> <td>D</td> <td>RS-485</td> <td></td> <td></td> </tr> <tr> <td>E</td> <td>Parallel</td> <td></td> <td></td> </tr> <tr> <td>Z</td> <td>None</td> <td></td> <td></td> </tr> </tbody> </table>	Wired		Wireless		A	RS-232C	1	Bluetooth	B	TTL	2	IrDA	C	USB	0	None	D	RS-485			E	Parallel			Z	None		
Wired		Wireless																											
A	RS-232C	1	Bluetooth																										
B	TTL	2	IrDA																										
C	USB	0	None																										
D	RS-485																												
E	Parallel																												
Z	None																												

Example) 1. Porti-S40 Serial/Bluetooth Part No. ⇒ S40/A1
 2. Porti-SC30 Bluetooth Only Part No. ⇒ SC30/Z1

1.3. Specifications

Item	Specification	
Print method	Direct thermal line printing	
Characters per line	64cpl (MAX)	
Character size	Eng. : 9×24dots, 12×24dots Kor. : 16×24dots, [24×24dots]	
Optional Characters	Simplified/Traditional Chinese, Arabic, Cyrillic, Russian, Turkish, Greek, Japanese, Persian, Latin9 and Others upon request.	
Resolution	203dpi, 8dots/mm	
Print width	3-inch (72mm, 576dots)	
Print speed	40mm/sec (MAX)	
Dimension	110 × 77.7 × 48 mm	
Weight	300g (including paper roll)	
Interface	UART(RS232C or TTL)	
Paper roll	Thermal paper roll (80mm wide, 38ø)	
Barcodes	1-dimension : Code128, Code39, I2/5, Code93, UPC, EAN, KAN, JAN, CODABAR 2-dimension : PDF417, QR Code, DATA Matrix	
H/W spec	MCU : 32bits RISC, FLASH : 4Mbytes, RAM : 8Mbytes	
Receive buffer size	1M bytes	
Input Power	9VDC, Standby 60mA and Max 3A	
Environment conditions	Temperature	-10°C ~ 50°C (operating) -10°C ~ 70°C (storage)
	Humidity	30% - 80% (operating) 10% - 90% (storage)
MCBF (Mean Cycle Between failure)	Mechanical	37,000,000 lines
	Head	Approximately 50 Km

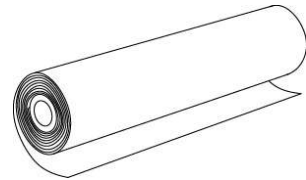
2. Setting up the printer

2.1. Printer & Accessories

When unpacking your printer box make sure it contains the printer and all accessories. If any accessories are missing or damage, please contact your dealer for assistance.

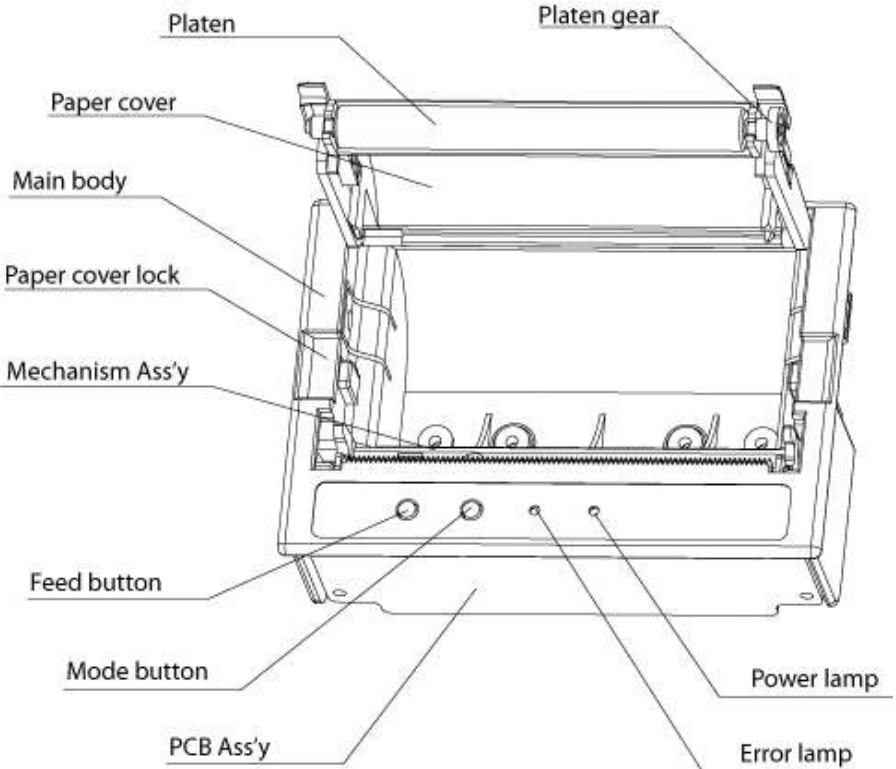


Porti-P340

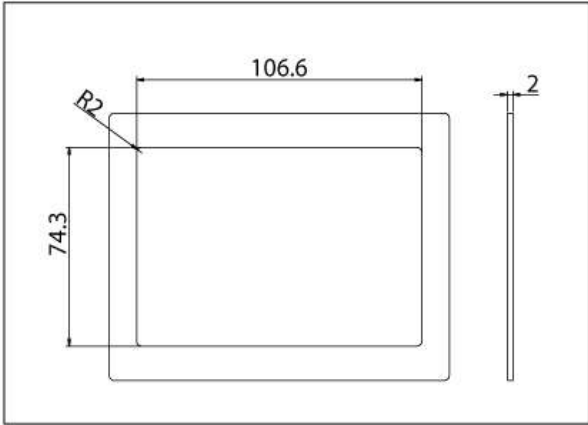
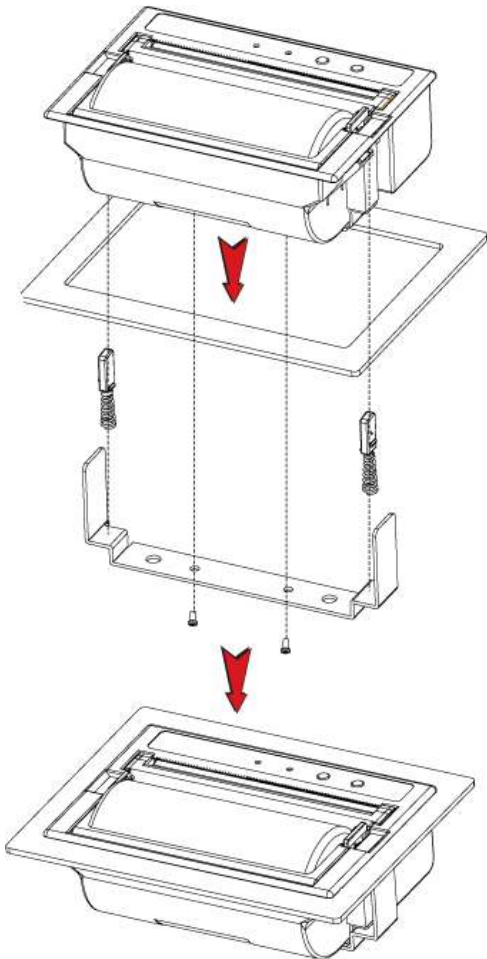


Thermal roll paper

2.2. Printer Features



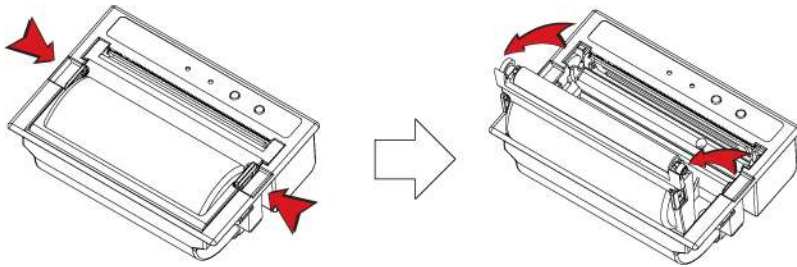
2.3. Panel Installation



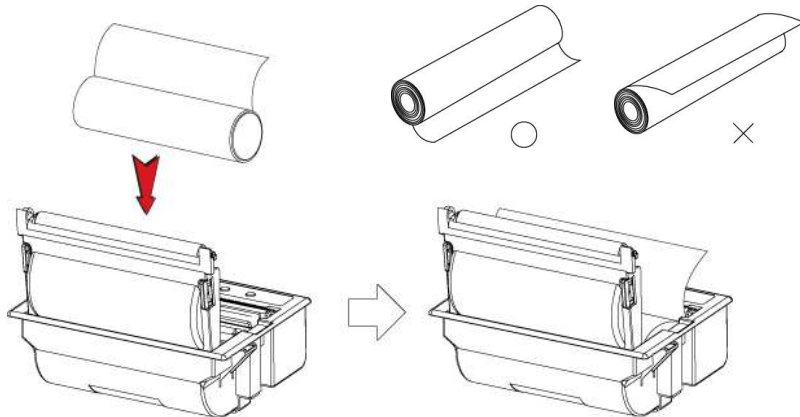
2.4. Replacing paper roll

Note : Be sure to use paper rolls that meet the specifications.
Do not use paper rolls that have the paper glued to the core because the printer cannot detect the paper end correctly.

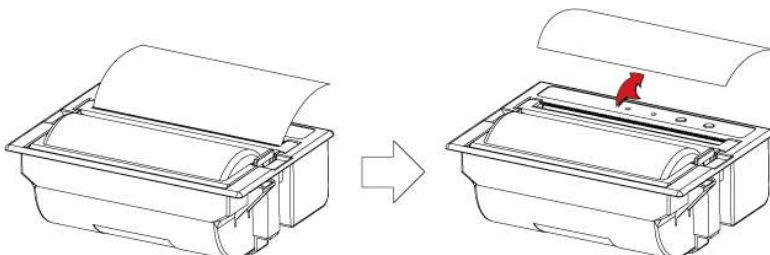
1. Make sure that the printer is not receiving data; otherwise, data may be lost.
2. Open the paper roll cover using your finger on both side of printer and remove the remaining paper.



3. Insert a new paper roll as shown.



4. Tear the excess paper off using the edge of paper door as a tear bar.



2.5. Set operation mode

1. Change the mode and option using the MODE Code. (Table 2)

- **MODE button** : use for changing OPTION status. (**Error Lamp**)
- **FEED button** : use for changing MODE status. (**Power Lamp**)

2. [Example] The defaults of the printer are :

UART/ 9600 bps/ 8 data bit / No parity/ 1 Stop bit / Density Low

If a user wants to modify the defaults with

Protocol UART / 57600 bps / 7 data bit / Odd parity / 2 Stop bit / density high

- ▶ Press **MODE Button** until **Error Lamp** twinkles 5 times and release the button.
 - You will see the **Power Lamp** twinkles one time and the **Error Lamp** twinkles 1 time.
 - Press the **MODE Button** one time and the **Error Lamp** twinkles 2 times.
(The interface mode has set to Protocol UART mode)
- ▶ Press **FEED button** one time, **Power Lamp** twinkles twice and **Error Lamp** twinkles 1 time.
 - Press the **MODE Button** 3 times and the **Error Lamp** twinkles 4 times.
(The baud rate has set to 57,600 bps)
- ▶ Press **FEED Button** one time, **Power Lamp** twinkles 3 times and **Error Lamp** twinkles 2 times.
 - Press **MODE Button** one time, **Error Lamp** twinkles one time.
(The Data Bit has set to 7 data bit)
- ▶ Press **FEED Button** one time, **Power Lamp** twinkles 4 times and **Error Lamp** twinkles 1 time.
 - Press **MODE Button** one time, **Error Lamp** twinkles 2 times.
(The Parity bit has set to Odd parity bit)

▶ Press **FEED Button** one time, **Power Lamp** twinkles 5 times and **Error Lamp** twinkles 1 times.

→ Press **MODE Button** one time, **Error Lamp** twinkles 2 times.
(The Stop bit has set to 2 Stop bit)

▶ Press **FEED Button** one time, **Power Lamp** twinkles 6 times and **Error Lamp** twinkles 1 time.

→ Press **MODE Button** one time, **Error Lamp** twinkles 2 times after then press **MODE Button** again, the **Error Lamp** will twinkle 3 times.
(The density has set to High)

If all the mode have set, press the **MODE Button** and the **FEED Button** at the same time after then release the buttons at the same time.

The printer will print out the mode status which has modified.

(Protocol UART / 57600 bps / 7 data bit / Odd parity / 2 Stop bit / density high)

If the status is not correct, please try it again according to the procedure.

MODE	POWER Lamp (Green)	ERROR Lamp (Red)	Option
Communication Port	1	1	UART(RS-232C)
		2	Protocol UART(RS-232C)
Baud Rate	2	1	9600 bps
		2	19200 bps
		3	38400 bps
		4	57600 bps
		5	115200 bps
Data Bit	3	1	7 Data bit
		2	8 Data bit
Parity	4	1	No Parity
		2	Odd Parity
		3	Even Parity
Stop bit	5	1	1 stop bit
		2	2 stop bit
Density	6	1	Density Low
		2	Density Medium
		3	Density High
Mark	7	1	No use
		2	Use
Sensor	8	1	Low
		2	Medium1
		3	Medium2
		4	High

< Table 2 >

2.6. Specified power supply

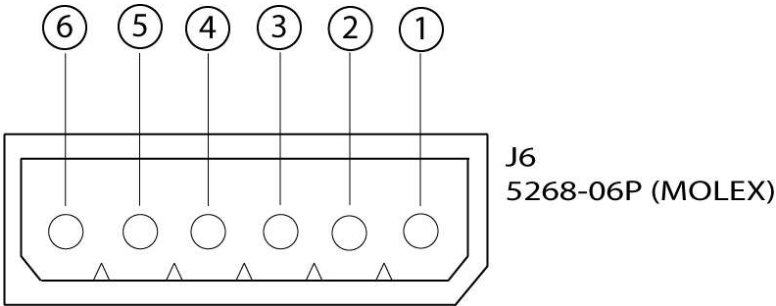
The following specifications are requested for power supply.

Input : DC 9V / Max 3A

Avoid using power supply which its power capacity of power current is extremely high.

3. Interface

3.1. UART (RS-232C or TTL)



Serial & Power

The Porti-P340 printer has UART(RS-232C or TTL) interface and power connector is connected by 6 pin female connector.

In the following table, the signals present on the connector are listed:

Pin no.	Signal name	Direction	Function
1	INPUT		9VDC/3A
2	TxD	Output	Transmit Data
3	RxD	Input	Receive Data
4	N.C		
5	N.C		
6	GND		Ground

<J6 : MOLEX (5268-06P)>

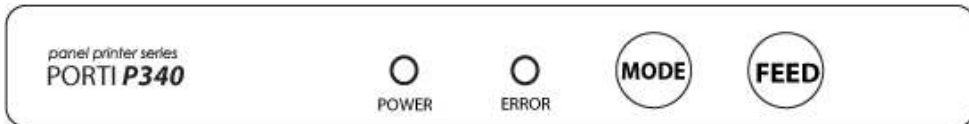
Applicable connector : MOLEX 5264-06P or equivalent.

WARNING

⚠ A wrong connection of power supply connector could be damage the printer.

4. Using the printer

4.1. Control panel



► Button

- **FEED** : When the printer is on, paper can be feed manually by pressing and holding the FEED button for more than one second.
- **MODE** : MODE Button is for use to change communication mode.
Do not operate the mode button without instructions.

► Panel lamp

- **Power(Green)** : Printer is ON and ready to receive data.
- **Error (Red)** : Indicates a fault condition or a printer error.
(i.e : no paper, paper cover opened. etc.)

4.2. The self test

The Self-Test checks whether the printer has any problems. If the printer does not function properly, contact your dealer. For Self-Test, turn on the power while holding down the FEED Button. The Self-Test checks the following :

- 1) Make sure paper roll has been installed properly.
- 2) The Self-Test prints the current printer status, which provides the control ROM version and the communication method setting.
- 3) After printing the current printer status, Self-Test will print a pattern using the built-in character set.
- 4) The Self-Test automatically ends.

The printer is ready to receive data as soon as it complete the Self-Test.

5. Consumable Parts

5.1. Recommended paper

Type	: Thermal Paper
Paper width	: 80mm
Paper thickness	: $60 \pm 5 \mu\text{m}$
Outer diameter	: $\text{Ø}38\text{mm}$ or less
Recording side	: Outside of roll



Cautions

1. Do not paste the paper to the core. And the roll paper which has near end mark printing on its near end is recommended.
2. Chemicals or oil may change the color of paper, or printed characters may fade.
3. Change of paper color starts from approx . 70°C .
Pay attention to heat, humidity and sun light.
4. Color of paper may be changed by being scratched by nail or hard metal, etc.

5.2 Printing position

